

PNEUMATIC LEVEL SWITCH EXPLOSION PROOF TYPE

ALS-500X

CLASS I, GROUPS A, B, C, D;
CLASS II, GROUPS E, F, G; NEMA 4X, IP68
Proof Pressure to 1000psi
Temperature: -30 to 205°C

The New-Flow ALS-500X, an explosion proof level switch, is designed to be used in level systems. ALS-500X has high set point repeatability and narrow dead band features. Easily adjusted to the set point, no special tools needed!

Technical Data

- Switch Data:** one SPDT microswitch, 20amps 125/250V
- Housing:** die cast aluminum alloy with paint
- Housing Enclosure:** Class I, Groups A, B, C, D;
Class II, Groups E, F, G; NEMA 4X, IP68
- Conduit Connection:** ¾", ½"NPT female
- Pressure Element:** Diaphragm type
- Proof Pressure:** 1000 psi
- Temperature:** -30 to 205°C
- Process Materials:** wetted parts are all in SS316
- Process Connection:** Male G1 (1"BSP), Female ½"NPT,
Detected pipe size ½", Length 0.2~5 meters
- Control Functions:** Please refer to the "Level Length Table".
Select type: Nob A, B, C, E, F are available for setting level length
Fix type: Section G, H, I are available for setting level length

Control Functions

Level Length Table For Actuate & Deactuate

(A). Select Type

Set On Micro Switch Nob	The Length of Set Point to Actuate, Deactuate (mm)		
	Code	Actuate (ON)	
E	150	50	±5
F	200	50	±5
A	380	50	±5
B	550	50	±5
C	760	60	±5

NOTE.: Nob "D" is unavailable for using.

(B). Fix Type

Set Section	The Length of Set Point to Actuate, Deactuate (mm)		
	Code	Actuate (ON)	
G	60	40	±5
H	80	50	±5
I	130	80	±5

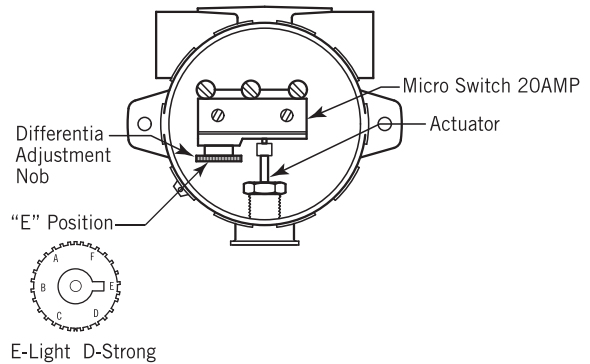
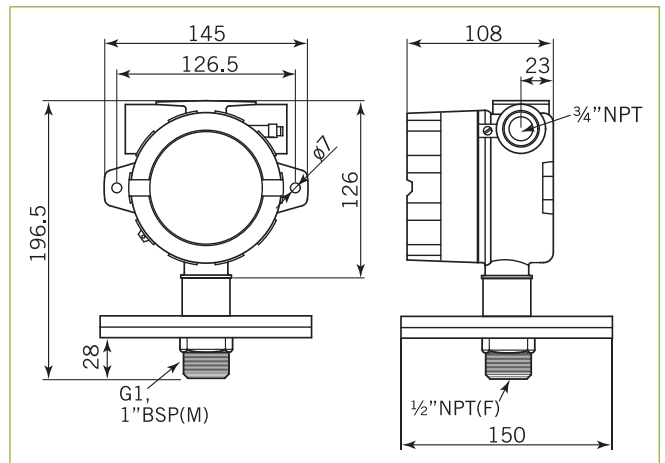


Approvals:

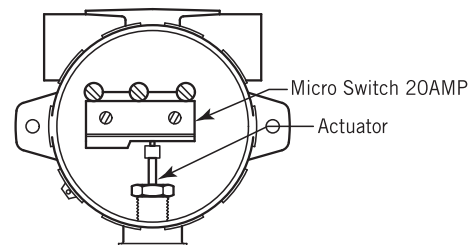


Switches with UL & CSA Recognized and File No. E12252.

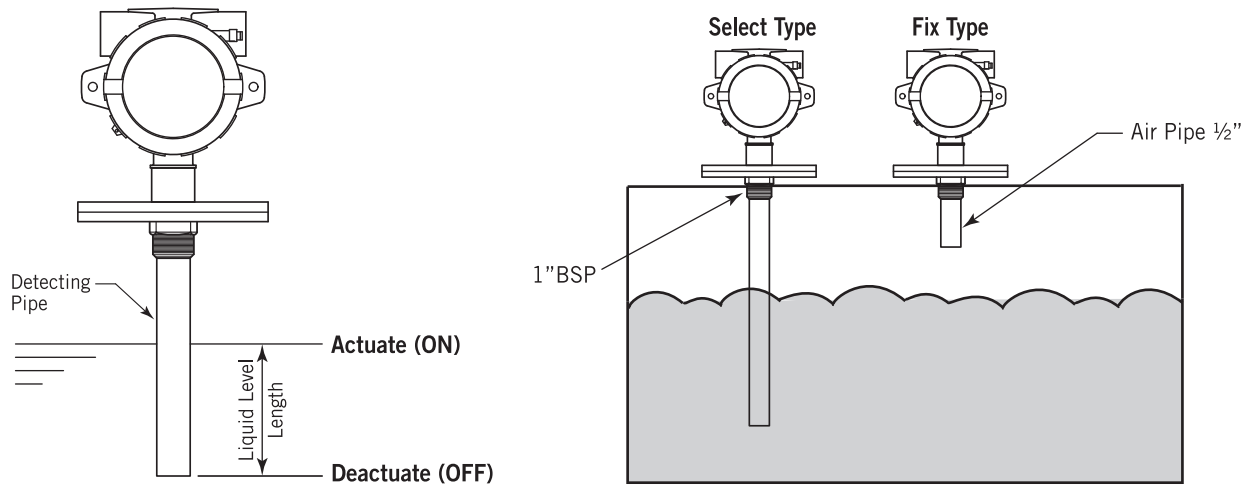
Dimensions-mm



E-Light D-Strong

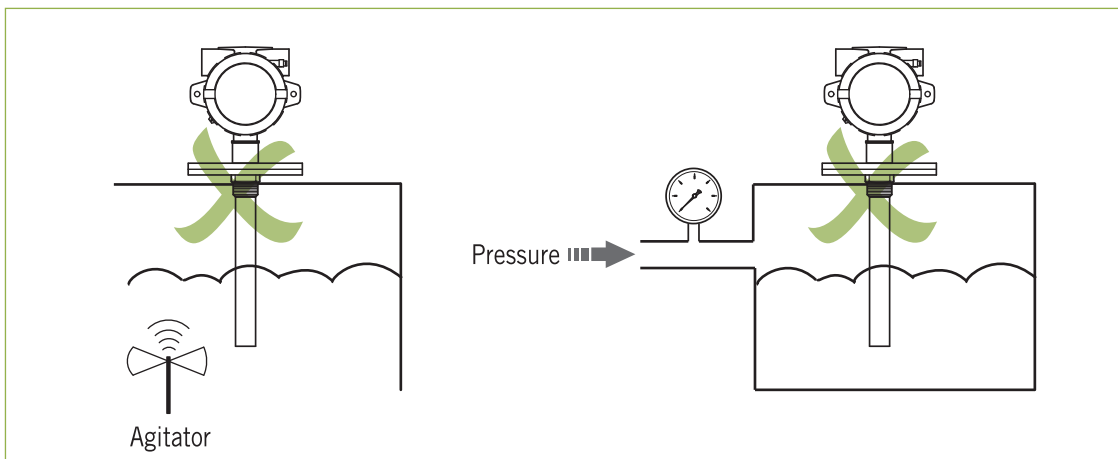


Mounting Method



Notice

1. Do Not locate closed by agitator or liquid inlet/outlet. The operation will be unstable.
2. Do Not install this switch on the pressurized tank.



Ordering Information

ALS-500X	Code	Control Function	
	A	Select Type	B Fix Type
		Code	Level Length
			Please refer to the Level Length Table, and directly fill in request range code. (e.g. H)
		Code	Wetted Part Material
		A	SS316
		Code	Process Connection
		(1)	male G1 (1" BSP)
		Code	Conduit Connection
			(E) 3/4" NPT Female, standard (F) 1/2" NPT Female
		Code	Switch Form
		1	one SPDT
ALS-500X			Complete ordering code

Ordering Information Sample:

Model	Control Function	Level Length	Wetted Parts Material	Process Connection	Conduit Connection	Switch Form
ALS-500X	A	H	A	1	F	1