

ACCESSORIES

D1 & D2 Type – Gauge Damper



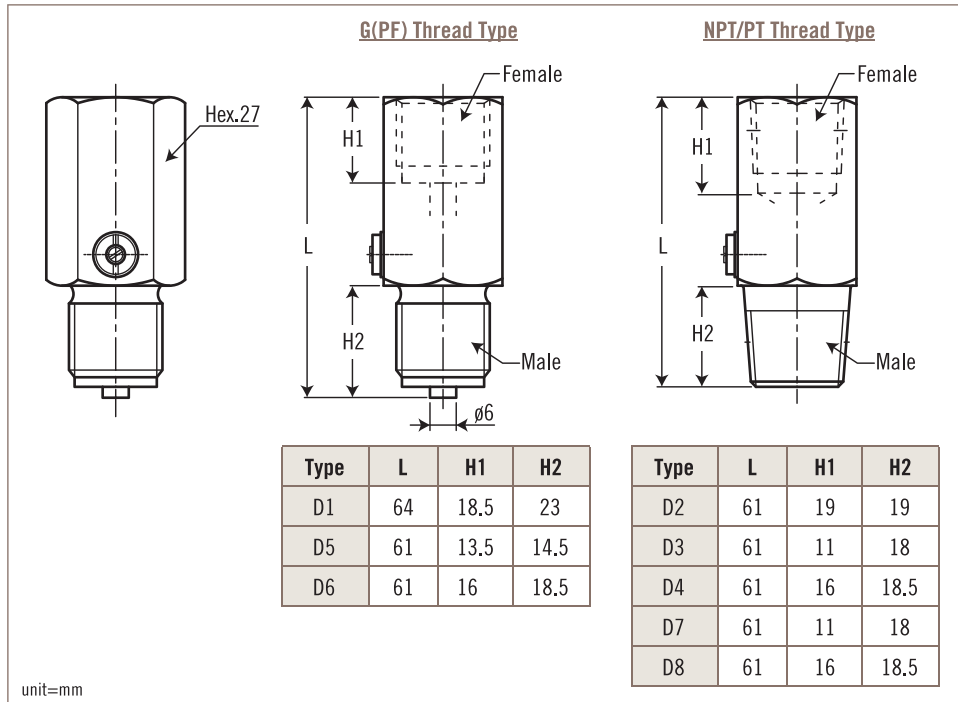
Max. Temperature: 120°C
Max. Pressure: 400 bar at 60°C

Type	Connection Thread
D1	G½" (G½" Female x G½" Male)
D2	½"NPT (½"NPT Female x ½"NPT Male)
D3	¼"NPT (¼"NPT Female x ¼"NPT Male)
D4	⅜"NPT (⅜"NPT Female x ⅜"NPT Male)
D5	G¼" (G¼" Female x G¼" Male)
D6	G⅜" (G⅜" Female x G⅜" Male)
D7	¼"PT (¼"PT Female x ¼"PT Male)
D8	⅜"PT (⅜"PT Female x ⅜"PT Male)

Parts Material

Body	SS316
Screw plug	SS316
O-ring	Viton
Adjusting stem	SS316

Dimension

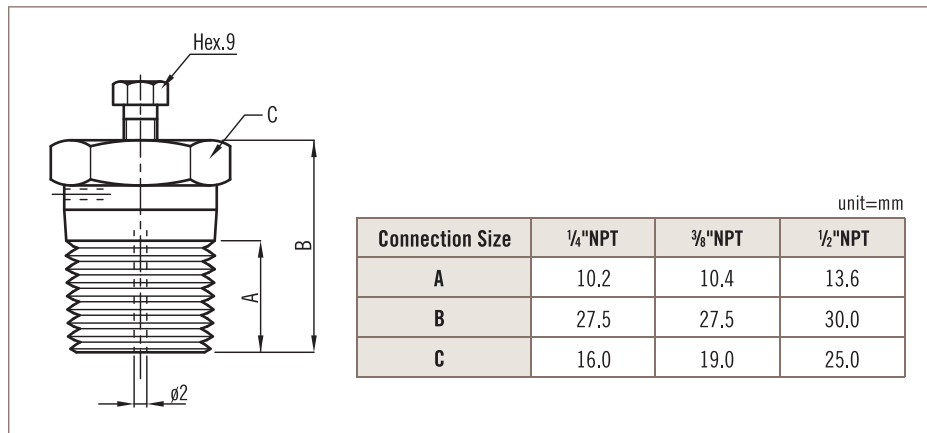


VT Type – Drain/Vent Valves



Drain/Vent Valves Material: SS316, and others on request.
Max. Temperature: 250°C
Max. Pressure: 100 bar at 60°C

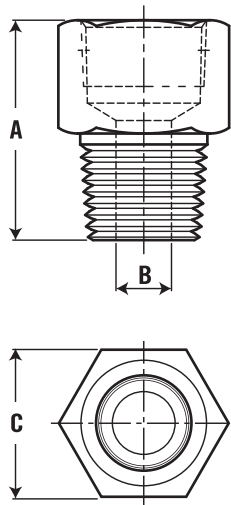
Dimension



NN & BN Type – Reducing Adapter



A. NN Type – Thread NPT to Thread NPT

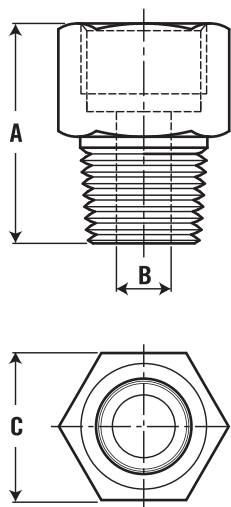


Ordering Information & Dimensions

Ordering Code	Connection Size	Max. Pressure Rating at 25°C		A	B	C
		SS316	Brass			
NN-1	1/8" NPT female x 1/4" NPT male	5800 psi	2800 psi	31	4.2	23
NN-2	1/8" NPT female x 3/8" NPT male	5800 psi	2800 psi	32	4.2	23
NN-3	1/8" NPT female x 1/2" NPT male	5800 psi	2800 psi	36	4.8	23
NN-4	1/8" NPT female x 3/4" NPT male	5800 psi	2800 psi	36	4.8	29
NN-5	1/4" NPT female x 1/8" NPT male	5900 psi	2900 psi	30	4.8	23
NN-6	1/4" NPT female x 3/8" NPT male	5900 psi	2900 psi	34	7.1	23
NN-7	1/4" NPT female x 1/2" NPT male	5900 psi	2900 psi	38	7.1	23
NN-8	1/4" NPT female x 3/4" NPT male	5900 psi	2900 psi	38	7.1	29
NN-9	3/8" NPT female x 1/8" NPT male	4700 psi	2300 psi	32	4.8	23
NN-10	3/8" NPT female x 1/4" NPT male	4700 psi	2300 psi	34	7.1	23
NN-11	3/8" NPT female x 1/2" NPT male	4700 psi	2300 psi	41	9.6	23
NN-12	3/8" NPT female x 3/4" NPT male	4700 psi	2300 psi	41	9.6	29
NN-13	1/2" NPT female x 1/8" NPT male	4400 psi	2100 psi	36	4.8	27
NN-14	1/2" NPT female x 1/4" NPT male	4400 psi	2100 psi	38	7.1	27
NN-15	1/2" NPT female x 3/8" NPT male	4400 psi	2100 psi	40	9.6	27
NN-16	1/2" NPT female x 3/4" NPT male	4400 psi	2100 psi	45	11.9	29
NN-17	3/4" NPT female x 1/8" NPT male	4100 psi	2000 psi	36	4.8	35
NN-18	3/4" NPT female x 1/4" NPT male	4100 psi	2000 psi	39	7.1	35
NN-19	3/4" NPT female x 3/8" NPT male	4100 psi	2000 psi	41	9.6	35
NN-20	3/4" NPT female x 1/2" NPT male	4100 psi	2000 psi	45	15.7	35

unit=in(mm)

B. BN Type – Thread BSP(PF) to Thread NPT



Ordering Information & Dimensions

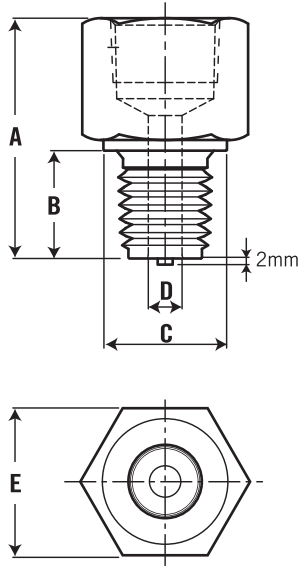
Ordering Code	Connection Size	Max. Pressure Rating at 25°C		A	B	C
		SS316	Brass			
BN-1	1/4" BSP(PF) female x 1/8" NPT male	5300 psi	2600 psi	31	4.1	23
BN-2	1/4" BSP(PF) female x 3/8" NPT male	5300 psi	2600 psi	35	5.8	23
BN-3	1/4" BSP(PF) female x 1/2" NPT male	5300 psi	2600 psi	39	5.8	23
BN-4	1/4" BSP(PF) female x 3/4" NPT male	5300 psi	2600 psi	39	5.8	29
BN-5	3/8" BSP(PF) female x 1/8" NPT male	4200 psi	2100 psi	31	4.1	23
BN-6	3/8" BSP(PF) female x 1/4" NPT male	4200 psi	2100 psi	34	5.8	23
BN-7	3/8" BSP(PF) female x 1/2" NPT male	4200 psi	2100 psi	39	7.9	23
BN-8	3/8" BSP(PF) female x 3/4" NPT male	4200 psi	2100 psi	39	7.9	29
BN-9	1/2" BSP(PF) female x 1/8" NPT male	3900 psi	1900 psi	35	4.1	27
BN-10	1/2" BSP(PF) female x 1/4" NPT male	3900 psi	1900 psi	38	5.8	27
BN-11	1/2" BSP(PF) female x 3/8" NPT male	3900 psi	1900 psi	39	7.9	27
BN-12	1/2" BSP(PF) female x 1/2" NPT male	3900 psi	1900 psi	42	7.9	27
BN-13	1/2" BSP(PF) female x 3/4" NPT male	3900 psi	1900 psi	42	11.9	29
BN-14	3/4" BSP(PF) female x 1/8" NPT male	3700 psi	1800 psi	36	4.1	35
BN-15	3/4" BSP(PF) female x 1/4" NPT male	3700 psi	1800 psi	39	5.8	35
BN-16	3/4" BSP(PF) female x 3/8" NPT male	3700 psi	1800 psi	40	7.9	35
BN-17	3/4" BSP(PF) female x 1/2" NPT male	3700 psi	1800 psi	44	11.9	35

unit=in(mm)

NB & BB Type – Reducing Adapter



A. NB Type – Thread NPT to Thread BSP(PF)

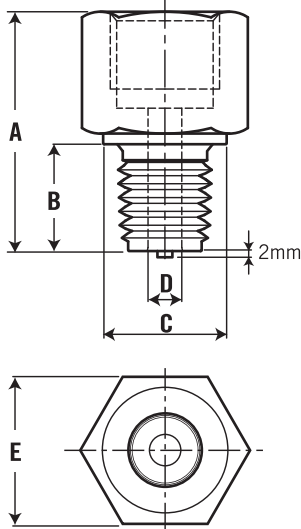


Ordering Information & Dimensions

Ordering Code	Connection Size	Max. Pressure Rating at 25°C		A	B	C	D	E
		SS316	Brass					
NB-1	1/8" NPT female x 1/4" BSP male	5800 psi	2800 psi	34	17	18	3.5	23
NB-2	1/8" NPT female x 3/8" BSP male	5800 psi	2800 psi	34	17	21.6	3.5	23
NB-3	1/8" NPT female x 1/2" BSP male	5800 psi	2800 psi	36	20	25.9	3.5	27
NB-4	1/8" NPT female x 3/4" BSP male	5800 psi	2800 psi	36	22	32	3.5	35
NB-5	1/4" NPT female x 1/4" BSP male	5900 psi	2900 psi	36	17	18	3.5	23
NB-6	1/4" NPT female x 3/8" BSP male	5900 psi	2900 psi	36	17	21.6	3.5	23
NB-7	1/4" NPT female x 1/2" BSP male	5900 psi	2900 psi	39	20	25.9	3.5	27
NB-8	1/4" NPT female x 3/4" BSP male	5900 psi	2900 psi	39	22	32	3.5	35
NB-9	3/8" NPT female x 1/4" BSP male	4700 psi	2300 psi	37	17	18	3.5	23
NB-10	3/8" NPT female x 3/8" BSP male	4700 psi	2300 psi	37	17	21.6	3.5	23
NB-11	3/8" NPT female x 1/2" BSP male	4700 psi	2300 psi	41	20	25.9	3.5	27
NB-12	3/8" NPT female x 3/4" BSP male	4700 psi	2300 psi	41	22	32	3.5	35
NB-13	1/2" NPT female x 1/4" BSP male	4400 psi	2100 psi	41	17	18	3.5	23
NB-14	1/2" NPT female x 3/8" BSP male	4400 psi	2100 psi	41	17	21.6	3.5	23
NB-15	1/2" NPT female x 1/2" BSP male	4400 psi	2100 psi	45	20	25.9	3.5	27
NB-16	1/2" NPT female x 3/4" BSP male	4400 psi	2100 psi	45	22	32	3.5	35
NB-17	3/4" NPT female x 1/4" BSP male	4100 psi	2000 psi	42	17	18	3.5	35
NB-18	3/4" NPT female x 3/8" BSP male	4100 psi	2000 psi	42	17	21.6	3.5	35
NB-19	3/4" NPT female x 1/2" BSP male	4100 psi	2000 psi	45	20	25.9	3.5	35
NB-20	3/4" NPT female x 3/4" BSP male	4100 psi	2000 psi	47	22	32	3.5	35

unit=in(mm)

B. BB Type – Thread BSP(PF) to Thread BSP(PF)



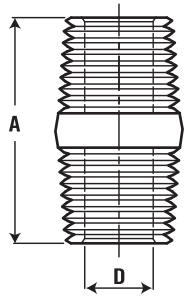
Ordering Information & Dimensions

Ordering Code	Connection Size	Max. Pressure Rating at 25°C		A	B	C	D	E
		SS316	Brass					
BB-1	1/4" BSP female x 3/8" BSP male	2600 psi	2800 psi	37	17	21.6	3.5	23
BB-2	1/4" BSP female x 1/2" BSP male	2600 psi	2800 psi	35	20	25.9	3.5	27
BB-3	1/4" BSP female x 3/4" BSP male	2600 psi	2800 psi	36	22	32	3.5	35
BB-4	3/8" BSP female x 1/4" BSP male	2100 psi	2800 psi	37	17	18	3.5	23
BB-5	3/8" BSP female x 1/2" BSP male	2100 psi	2800 psi	40	20	25.9	3.5	27
BB-6	3/8" BSP female x 3/4" BSP male	2100 psi	2800 psi	42	22	32	3.5	35
BB-7	1/2" BSP female x 1/4" BSP male	1900 psi	2800 psi	40	17	18	3.5	23
BB-8	1/2" BSP female x 3/8" BSP male	1900 psi	2800 psi	43	20	21.6	3.5	27
BB-9	1/2" BSP female x 1/2" BSP male	1900 psi	2800 psi	45	22	32	3.5	35
BB-10	3/4" BSP female x 1/4" BSP male	1800 psi	2800 psi	43	17	18	3.5	35
BB-11	3/4" BSP female x 3/8" BSP male	1800 psi	2800 psi	43	17	21.6	3.5	35
BB-12	3/4" BSP female x 1/2" BSP male	1800 psi	2800 psi	46	20	25.9	3.5	35

unit=in(mm)

CMN Type – Circle Nipple

Thread NPT to Thread NPT (Male)



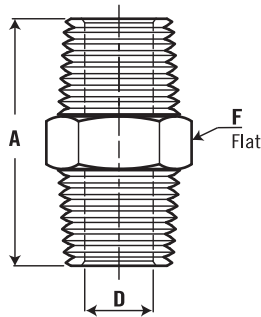
Ordering Information & Dimensions

Ordering Code	Connection Size	Max. Pressure Rating at 25°C		A	D
		SS316	Brass		
CMN-1	1/8" NPT male x 1/8" NPT male	9,000 psi	----	20.0	5.0
CMN-2	1/4" NPT male x 1/4" NPT male	7,200 psi	----	29.0	7.0
CMN-3	3/8" NPT male x 3/8" NPT male	7,000 psi	----	29.0	10.0
CMN-4	1/2" NPT male x 1/2" NPT male	6,900 psi	----	39.0	12.0
CMN-5	3/4" NPT male x 3/4" NPT male	6,500 psi	----	39.0	16.0
CMN-6	1" NPT male x 1" NPT male	4,800 psi	----	48.0	22.0

unit=mm

HMN Type – Hex Nipple

Thread NPT to Thread NPT (Male)



Ordering Information & Dimensions

Ordering Code	Connection Size	Max. Pressure Rating at 25°C		A	D	F
		SS316	Brass			
HMN-1	1/8" NPT male x 1/8" NPT male	9,900 psi	----	26.0	3.0	8.0
HMN-2	1/8" NPT male x 1/8" NPT male	9,000 psi	----	26.0	5.0	11.0
HMN-3	1/4" NPT male x 1/4" NPT male	7,200 psi	----	36.0	7.0	14.0
HMN-4	3/8" NPT male x 3/8" NPT male	7,000 psi	----	37.0	10.0	17.0
HMN-5	1/2" NPT male x 1/2" NPT male	6,900 psi	----	47.0	12.0	22.0
HMN-6	3/4" NPT male x 3/4" NPT male	6,500 psi	----	47.0	16.0	27.0
HMN-7	1" NPT male x 1" NPT male	4,300 psi	----	59.0	22.0	35.0

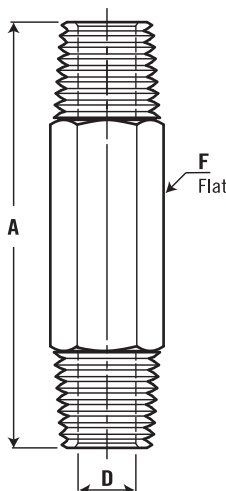
For Heavy-Wall:

Ordering Code	Connection Size	Max. Pressure Rating at 25°C		A	D	F
		SS316	Brass			
HMN-3SS	1/4" NPT male x 1/4" NPT male	10,000 psi	----	36.0	6.0	14.0
HMN-5SS	1/2" NPT male x 1/2" NPT male	10,000 psi	----	47.0	10.0	22.0

unit=mm

HLMN Type – Hex Long Nipple

Thread NPT to Thread NPT (Male)



Ordering Information & Dimensions

Ordering Code	Connection Size	Max. Pressure Rating at 25°C		A (available length)				D	F
		SS316	Brass	1.5"	2.0"	2.5"	3.0"		
HLMN-1	1/8" NPT male x 1/8" NPT male	9,000 psi	----	✓	✓	✓	✓	5.0	11.0
HLMN-2	1/4" NPT male x 1/4" NPT male	7,200 psi	----	✓	✓	✓	✓	7.0	14.0
HLMN-3	3/8" NPT male x 3/8" NPT male	7,000 psi	----	✓	✓	✓	✓	10.0	17.0
HLMN-4	1/2" NPT male x 1/2" NPT male	6,900 psi	----		✓		✓	12.0	22.0
HLMN-5	3/4" NPT male x 3/4" NPT male	6,500 psi	----		✓		✓	16.0	27.0
HLMN-6	1" NPT male x 1" NPT male	4,300 psi	----				✓	22.0	35.0

unit=mm