

PFA LINED BALL VALVES BA12D SERIES

– ANSI 150LB Flange End Two Way

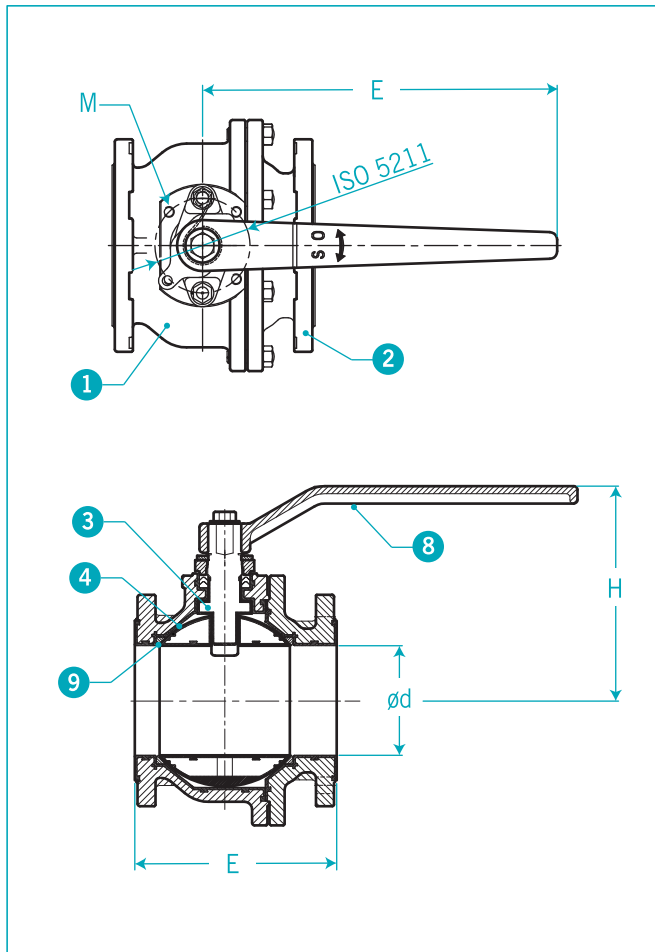
Technical Data

- ISO 5211 Mounting Pad
- Lever Operated

Size: ½"~6" available
 Face to Face Dimension: ASME B16.10
 Valve Body Design: ASME B16.42
 Flange Rating: ANSI 150LB RF
 End Flange Dimension: ASME B16.5
 Max. Operation Pressure: 250 psi
 Max. Operation Temperature: -29°C~+160°C



Dimensions



Parts List & Material

Item	Parts Name	Material		Q'ty
		BA12D-F	BA12D-C	
1.	Body	ASTM A395-D.I+PFA	ASTM A351-CF8+PFA	1
2.	Cap	ASTM A395-D.I+PFA	ASTM A351-CF8+PFA	1
3.	Stem	ASTM A276-304+PFA	ASTM A276-304+PFA	1
4.	Ball	A351-CF8+PFA Liner	FCD+PFA Liner	1
5.	Handle	C.S	C.S (or CF8 available)	1
6.	Seat	TFM1600	TFM1600	1

Dimensions Table

NPS	ød	H	E	M	ISO 5211	L (ASME B16.5 Class 150 RF)
½"	15	83	145	M5	F04	108
¾"	20	84	145	M5	F04	117
1"	25	101	165	M6	F05	127
1½"	40	128	225	M8	F07	165
2"	50	136	225	M8	F07	178
2½"	65	168	350	M8	F07	190
3"	80	177	350	M8	F07	203
4"	100	233	400	M10	F10	229
6"	145	282	466.5	M12	F12	267

Ordering Information

BA12D	Code	Body Material	
	F	ASTM A395-D.I+PFA	C ASTM A351-CF8+PFA
		Code Connection Size (ASME B16.5 Class 150 RF)	
		(A) ½" (B) ¾" (C) 1" (D) 1½" (E) 2" (F) 2½" (G) 3" (H) 4" (I) 6"	
BA12D			Complete Ordering Code