

TUBULAR TYPE LEVEL GAUGE

BL SERIES

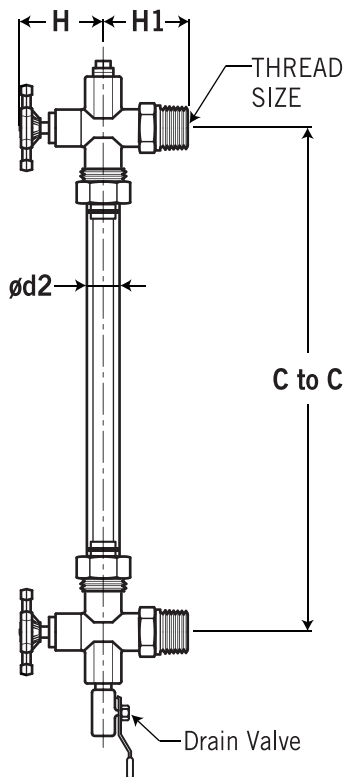
With Protection Support Pipe
Gauge Valves Sold Separately
Economical Type

BL-Series is normally used on non-pressurized and non-dangerous fluid systems with a glass tube or sight, it also can find the utility in the observation of interface or fluid color. Gauge glass is made heat resistant borosilicate.

Technical Data

Suitable Fluid: Water, Oil, other chemical liquid
Gauge Valve Material: SS304 or SS316 available
Gauge Tube Material: DURAN® Glass
Seal Material: Viton or EPDM available
Protection Support Pipe Material: PC
Gauge Valve Function: With or Without ball check
Max. Working Temperature: 120°C
Max. Working Pressure: 5~8 kg/cm²
 (Please also consider of the function of length and temperature.)
Process Connection: 1/2"~3/4" Male Thread; and 3/8"~1" Flange type on request
Process Type: Thread G, NPT, BSPT available
 Flange JIS, ANSI, DIN available
Drain Valve Connection: 1/4" and 3/8" Female Thread G, NPT, BSPT available
Center to Center Length: Max. 1500 mm

Dimensions-mm



Thread Type

| Thread Size | H | H1 | d2 | Drain Valve | Glass Tube Dimensions |
|-------------|----|----|----|-------------|--|
| 1/2" | 67 | 38 | 30 | 1/4" | ① ø13x2.2t ② ø14x2.2t |
| 3/4" | 69 | 47 | 34 | 3/8" | ③ ø16x2.5t ④ ø18x2.5t ⑤ ø20x2.5t |

- Female or Male Thread 「G, NPT, BSPT」 are on request.
- If the thread size is 「G1/2"(F)」, the drain valve size is 「G1/4"(F)」.

Installation Notice:

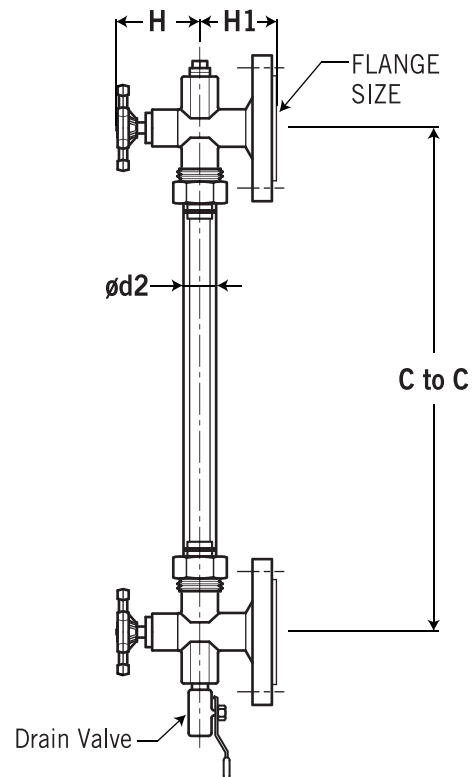
For thread type, please use the "Unions" to install the level gauge on the tank.
 And, the unions provide by customer self.



BLV

(Gauge valves*2 piece/1set)

BLT/BLF

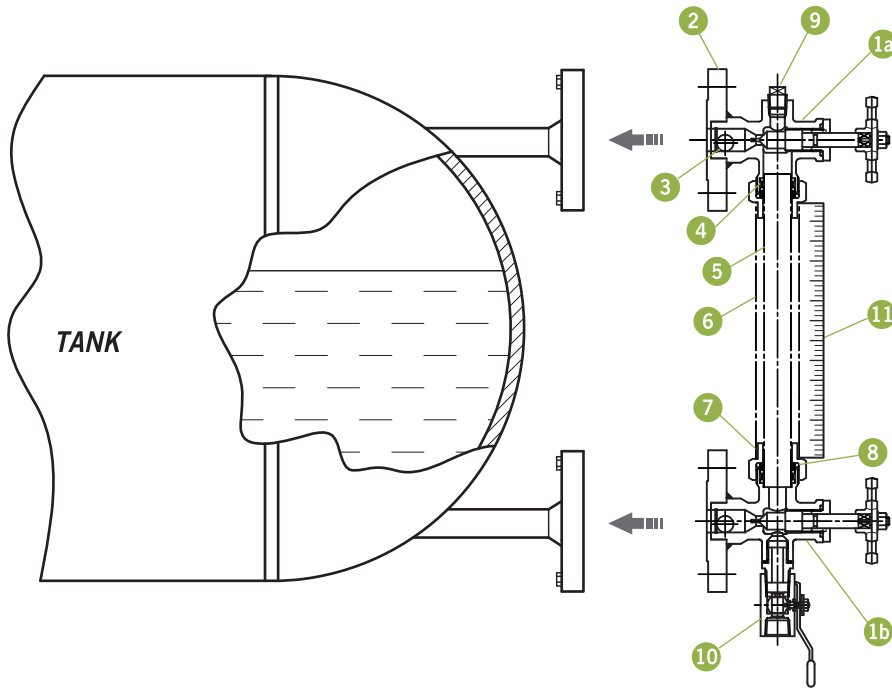


Flange Type

| Flange Size | H | H1 | d2 | Drain Valve | Glass Tube Dimensions |
|-------------|----|----|----|-------------|--|
| 3/8" | 67 | 47 | 30 | 1/4" | ① ø13x2.2t ② ø14x2.2t |
| 1/2" | 67 | 47 | 30 | 1/4" | |
| 3/4" | 69 | 59 | 34 | 3/8" | ③ ø16x2.5t ④ ø18x2.5t ⑤ ø20x2.5t |
| 1" | 69 | 59 | 34 | 3/8" | |

- Flange rating JIS, ANSI, DIN are on request.
- If the thread size is 「G1/2"(F)」, the drain valve size is 「G1/4"(F)」.

Installation & Parts List



| ITEM | PARTS NAME |
|------|----------------------|
| 1a | Upper Gauge Valve |
| 1b | Lower Gauge Valve |
| 2 | Process Connection |
| 3 | Ball Check |
| 4 | Gland Packing |
| 5 | Glass Gauge Tube |
| 6 | PC Support Protector |
| 7 | Gland Nut |
| 8 | Gland Bush |
| 9 | Vent Plug |
| 10 | Drain Ball Valve |
| 11 | Scale Plate (option) |

Ordering Information

| | |
|--|---|
| Model BLT BLF BLV | with protection support pipe; Thread type |
| | with protection support pipe; Flange type |
| | only gauge valves (2 pieces/1 set) |
| | Code Connection Size |
| | Thread (A) ½"NPT(M) (B) ¾"NPT(M) (C) G½"(M) (D) G¾"(M) (E) ½"BSPT(M) (F) ¾"BSPT(M) |
| | Flange (G) ½" JIS 10K (H) ¾" JIS 10K (I) 1" JIS 10K |
| | (J) ½" ANSI 150# (K) ¾" ANSI 150# (L) 1" ANSI 150# (O) option |
| | Code Gauge Valve Material |
| | (1) SS304 (2) SS316 |
| | Code Gauge Tube Material |
| | 1 DURAN® Glass N Without gauge tube (for model BLV only) |
| | Code Gauge Tube Dimensions |
| | (1) ø13 x 2.2t mm (2) ø14 x 2.2t mm (3) ø16 x 2.5t mm (4) ø18 x 2.5t mm (5) ø20 x 2.5t mm |
| | Code Seal Material |
| | (1) Viton (2) EPDM |
| Code The Function of Gauge Valve | |
| (A) With Ball Check (B) Without Ball Check | |
| Code Drain Valve Type | |
| (1) Ball Valve (2) Plug (3) Needle Valve | |
| Code Vent Valve Type | |
| (1) Ball Valve (2) Plug (3) Needle Valve | |
| Code Center to Center Length (C to C) | |
| Please directly fill out the length as you required. (Max. 1500mm) | |
| Code Protection Support Pipe | |
| (W) With PC (N) Without | |
| Code Scale Plate | |
| A With | |
| B Without | |