

PLASTIC TUBE FLOW METER BPF300

Technical Data

BPF300 for high flows of gas and liquid

Case material: SS316; Aluminum alloy available

Body wetted parts material: in PVC, CPVC, PVDF
indication via magnetic coupling (no sealed)

Scales calibrated: in l/h, m³/h, kg/h, %, etc.

Flow rates for: – Water: 4 l/h up to 15,000 l/h (SS316 float)
4 l/h up to 10,000 l/h (PVDF float)
(special ranges on request)
– Air: 0.1 Nm³/h up to 450 Nm³/h

Connection size: Thread ½"~2½" NPT or BSP available;
Flange type available

Mounting length: 250mm, standard or others

Protection class: IP66

Accuracy: ±5% F.S for tube BPFs(P)3001~BPFs(P)3003;
±2% F.S for tube BPFs(P)3004~BPFs(P)3026; option ±1.6% on request

Max. working pressure: 20 kg/cm² (PVDF); 15 kg/cm² (PP & PVC)

Max. working temperature: PVC: 0~40°C; PP: 0~60°C
PVDF: -30~100°C

Adjustable micro switch: 1 adjustable alarm contact

Load: 5A/125VAC, 5A/250VAC, 2A/30VDC

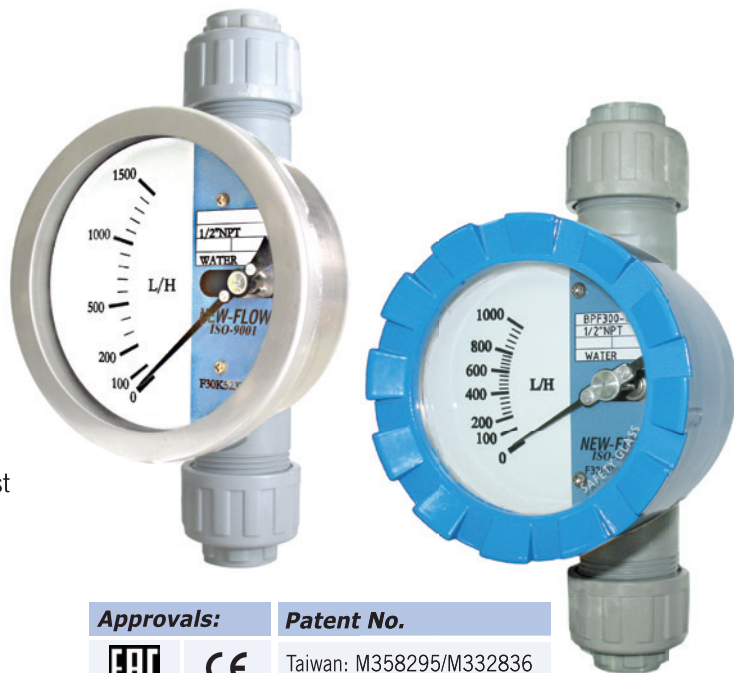
Hysteresis: ±10% F.S (Dead Band)

Electric transmitter: Analog output available 4~20mA (2 wire)

No alarm switch available

Power supply: 24VDC

Temperature: -25°C~+50°C (AMB)



Approvals:



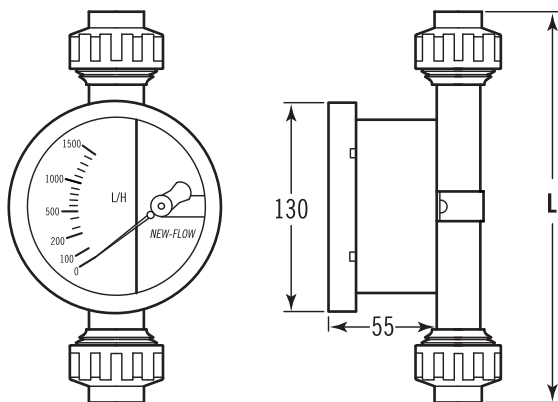
Patent No.

Taiwan: M358295/M332836
China: 1187801

Dimensions

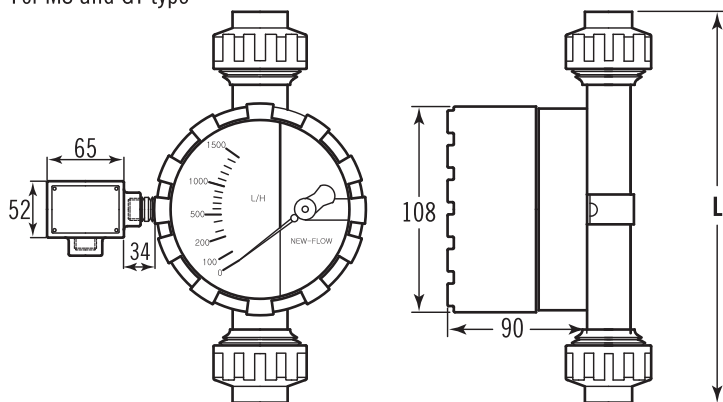
Case Material: SS316

Case Type: Round Bayonet Ring Type
Only for indicating type



Case Material: Aluminum alloy and SS316 available

Case Type: Round Screw Tight type
For MS and GT type

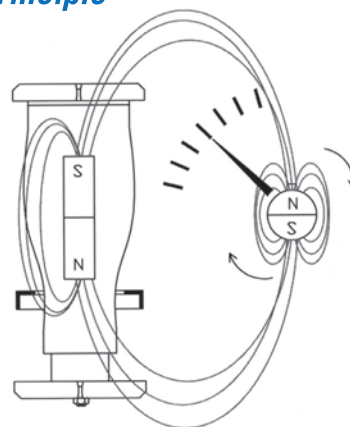


L: Standard 250mm

Other please refer to the *Standard Scales*

unit=mm

Principle



Standard Scales

A. Float Material: SS316

Tube	L/H 20°C Water	NM ³ /H Air 0°C 1.013bar	PmmWater	Thread Connection	Thread Type L (mm)	Accuracy (NOTE 1.)
BPFS3001	4 ~ 30	0.1 ~ 1	≤750	1/2"	221	±5% F.S
BPFS3002	4 ~ 40	0.13 ~ 1.3	≤750	1/2"	221	±5% F.S
BPFS3003	5.5 ~ 55	0.17 ~ 1.7	≤750	1/2"	221	±5% F.S
BPFS3004	8 ~ 80	0.2 ~ 2	≤750	1/2"	221	±2% F.S
BPFS3005	16 ~ 160	0.5 ~ 5	≤750	1/2"	221	±2% F.S
BPFS3006	18 ~ 180	0.6 ~ 6	≤750	1/2"	221	±2% F.S
BPFS3007	30 ~ 300	1 ~ 10	≤750	1/2"	221	±2% F.S
BPFS3008	50 ~ 500	1.5 ~ 15	≤750	1/2"	221	±2% F.S
BPFS3009	60 ~ 600	1.8 ~ 18	≤750	1/2"	221	±2% F.S
BPFS3010	70 ~ 700	2 ~ 20	≤750	1/2"	221	±2% F.S
BPFS3011	100 ~ 1000	3 ~ 30	≤750	1/2"	235	±2% F.S
BPFS3012	120 ~ 1200	4 ~ 40	≤750	1/2"	235	±2% F.S
BPFS3013	160 ~ 1600	5 ~ 50	≤700	3/4"	250	±2% F.S
BPFS3014	200 ~ 2000	6 ~ 60	≤700	3/4"	250	±2% F.S
BPFS3015	240 ~ 2400	7 ~ 70	≤700	3/4"	250	±2% F.S
BPFS3016	280 ~ 2800	8.5 ~ 85	≤700	3/4"	250	±2% F.S
BPFS3017	320 ~ 3200	9 ~ 90	≤700	3/4"	250	±2% F.S
BPFS3018	350 ~ 3500	10 ~ 100	≤700	3/4"	250	±2% F.S
BPFS3019	500 ~ 5000	14 ~ 140	≤650	1" & 1½"	270	±2% F.S
BPFS3020	600 ~ 6000	15 ~ 150	≤650	1" & 1½"	270	±2% F.S
BPFS3021	700 ~ 7000	20 ~ 200	≤650	1" & 1½"	270	±2% F.S
BPFS3022	800 ~ 8000	24 ~ 240	≤650	1" & 1½"	270	±2% F.S
BPFS3023	1000 ~ 10000	30 ~ 300	≤650	2"	306	±2% F.S
BPFS3024	1200 ~ 12000	35 ~ 350	≤650	2"	306	±2% F.S
BPFS3025	1400 ~ 14000	40 ~ 400	≤650	2"	306	±2% F.S
BPFS3026	1500 ~ 15000	45 ~ 450	≤1000	2"	306	±2% F.S

NOTE.

1.Accuracy±5% F.S: BPFS3001~BPFS3003
Accuracy±2% F.S: BPFS3004~BPFS3026
and option ±1.6% F.S on request.

2.Performace Technical Data are effective with date of issue and are subject to change without piror notice.

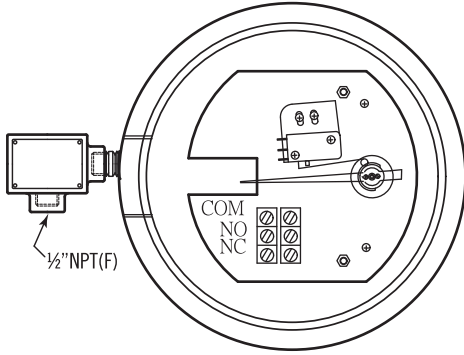
B. Float Material:PVDF

Tube	L/H 20°C Water	NM ³ /H Air 0°C 1.013bar	PmmWater	Thread Connection	Thread Type L (mm)	Accuracy (NOTE 1.)
BPFP3001	4 ~ 40	0.13 ~ 1.3	≤750	1/2"	221	±5% F.S
BPFP3002	5.5 ~ 55	0.17 ~ 1.7	≤750	1/2"	221	±5% F.S
BPFP3003	8 ~ 80	0.2 ~ 2	≤750	1/2"	221	±2% F.S
BPFP3004	16 ~ 160	0.5 ~ 5	≤750	1/2"	221	±2% F.S
BPFP3005	28 ~ 280	0.9 ~ 9	≤750	1/2"	235	±2% F.S
BPFP3006	35 ~ 350	1.1 ~ 11	≤750	1/2"	235	±2% F.S
BPFP3007	40 ~ 400	1.3 ~ 13	≤750	1/2"	235	±2% F.S
BPFP3008	50 ~ 500	1.5 ~ 15	≤750	3/4"	250	±2% F.S
BPFP3009	70 ~ 700	2 ~ 20	≤700	3/4"	250	±2% F.S
BPFP3010	90 ~ 900	2.5 ~ 25	≤700	3/4"	250	±2% F.S
BPFP3011	100 ~ 1000	3 ~ 30	≤700	3/4"	250	±2% F.S
BPFP3012	120 ~ 1200	4 ~ 40	≤700	3/4"	250	±2% F.S
BPFP3013	160 ~ 1600	5 ~ 50	≤700	3/4"	250	±2% F.S
BPFP3014	200 ~ 2000	6 ~ 60	≤700	3/4"	250	±2% F.S
BPFP3015	250 ~ 2500	7 ~ 70	≤650	3/4"	250	±2% F.S
BPFP3016	300 ~ 3000	9 ~ 90	≤650	1"&1½"	270	±2% F.S
BPFP3017	350 ~ 3500	10 ~ 100	≤650	1"&1½"	270	±2% F.S
BPFP3018	450 ~ 4500	12 ~ 120	≤650	1"&1½"	270	±2% F.S
BPFP3019	450 ~ 4500	13 ~ 130	≤650	1"&1½"	270	±2% F.S
BPFP3020	500 ~ 5000	14 ~ 140	≤650	1"&1½"	270	±2% F.S
BPFP3021	650 ~ 6500	18 ~ 180	≤650	2"	306	±2% F.S
BPFP3022	700 ~ 7000	-----	≤650	2"	306	±2% F.S
BPFP3023	800 ~ 8000	-----	≤650	2"	306	±2% F.S
BPFP3024	900 ~ 9000	-----	≤650	2½"	350	±2% F.S
BPFP3025	1000 ~ 10000	-----	≤650	2½"	350	±2% F.S

BPF300

Alarm / Analog output

BPF300-MS (Micro Switch)



Adjustable Micro Switch, Series BPF300-MS

1 Adjustable alarm contact

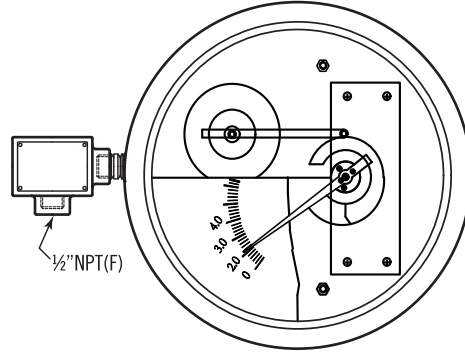
Load: 5A/125VAC, 5A/250VAC, 2A/30VDC

Temperature: -25°C ~ +50°C (AMB)

Hysteresis: ±10% F.S (Dead Band)

Conduit connection: 1/2" NPT female; others on request

BPF300-GT (Analog Output)



Electric Transmitter, Series BPF300-GT

Analog output available: 4~20mA (2 wire)

No Alarm Switch Available

Temperature: -25°C ~ +50°C (AMB)

Power Supply: 24Vdc

Conduit connection: 1/2" NPT female; others on request

Ordering Information

BPF300	Code	Type	Code	Connection size		
	G	Indicating only	2B	1/2" BSP (Female)	4F	1/2" Flange
	MS	Indicating + Switch	2N	1/2" NPT (Female)	6F	3/4" Flange
	GT	Indicating + 4~20mA (no alarm switch available)	6B	3/4" BSP (Female)	10F	1" Flange
		Code Switch	6N	3/4" NPT (Female)	12F	1 1/2" Flange
		0 Without alarm switch	10B	1" BSP (Female)	20F	2" Flange
		M1 One micro switch	10N	1" NPT (Female)	22F	2 1/2" Flange
		Code Body & wetted parts	12B	1 1/2" BSP (Female)		
		A PVC, standard	12N	1 1/2" NPT (Female)		
		B PP	20B	2" BSP (Female)		
		C PVDF	20N	2" NPT (Female)		
		D option	22B	2 1/2" BSP (Female)		
		Code Float material	22N	2 1/2" NPT (Female)		
		A SS316		Code Protection Class		
		B SS316L		IP	IP66	
		C PVDF		Code Fluid		
		D option		G	Gas	
		Code Connection rating		L	Liquid	
		0 Thread connection		Code Range		
		5 JIS 5K		S	Standard range	
		10 JIS 10K			Please directly fill out the flow range in the order code.	
		15 ANSI 150#				
		30 ANSI 300#				
		T other: _____				

BPF300 + _____ Complete ordering code

NOTE:

1. Custom-made flow range and flange size upon request.
2. Please fill in the ordering information and service condition, and fax this sheet along with your inquiry to 886-7-8225588.

Special instruction, if any:

Service Condition:

Fluid name: _____

Sp. Gr. (density): _____

Viscosity: _____

Press.: _____

Temp.: _____

Full scale: _____