

BACK PRESSURE REGULATOR

BPR SERIES-10

BPR Series-10 designed for control and relief upstream line pressure to apply in instrumentation systems, analyzer system and pilot plant.

Technical Data

- For using gas and liquid
- Inlet pressure: 250 Psig maximum
- Adjustable outlet pressure in ranges: 6~85; 17~125; 20~216 Psig
- Operating temperature: -40 to 175°C
- Diaphragm material: 316L stainless steel
- Body material: SS316
- Seat material: Viton, FFKM available
- CV flow coefficients: 1.0
- Process connection: ¼" and ½" NPT female
- Two gauge connection ports are: ¼" NPT female
- Use no oil: available

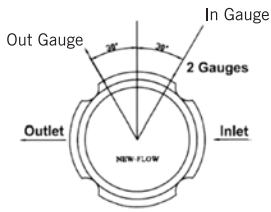


Plastic Knob

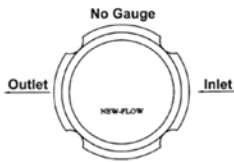


Metal Knob

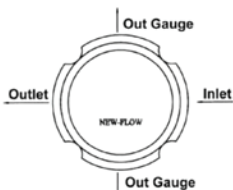
Standard Port Configuration



A

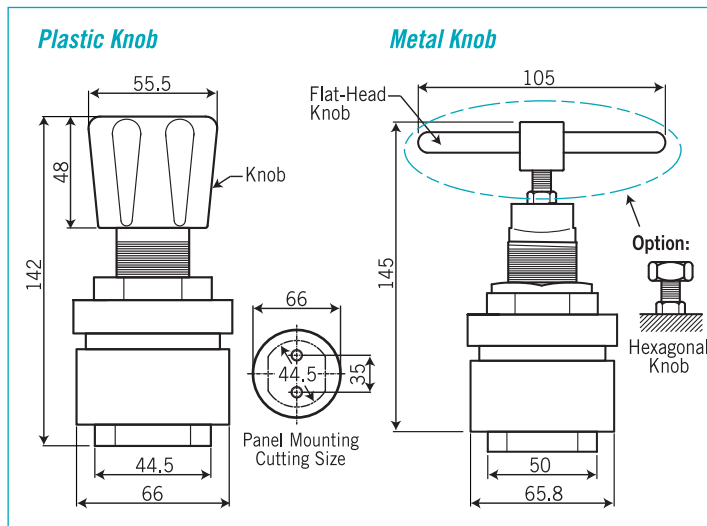


B

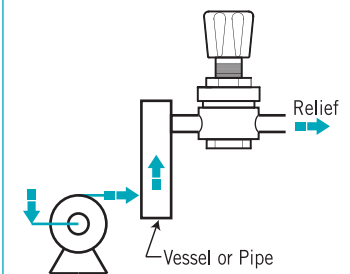


D

Dimensions-mm



Installation Mode



Ordering Information

BPR-Series	Code	Type
	10	Back Pressure Regulator
		Code Body Material
	1	316 stainless steel
		Code Knob Material
	A	Plastic
	B	Metal (Flat-Head)
	C	Metal (Hexagonal)
		Code Max. Inlet Pressure
	1	250 Psig
		Code Outlet Pressure Range
	1	6~85 Psig
	2	17~125 Psig
	3	20~216 Psig
		Code Seat Material
	A	Viton
	B	FFKM
		Code Port Configuration
	A	B
	D	
		Code Process Connection
	A	¼" NPT(F)
	B	½" NPT(F)
BPR-Series		Complete Ordering Code