

CAPACITIVE LEVEL SWITCH

CPLS1000

Proof Housing: IP66
Explosion Proof: EEx d IIC-T6, II 2 GD
No Moving Parts
Easy Installation

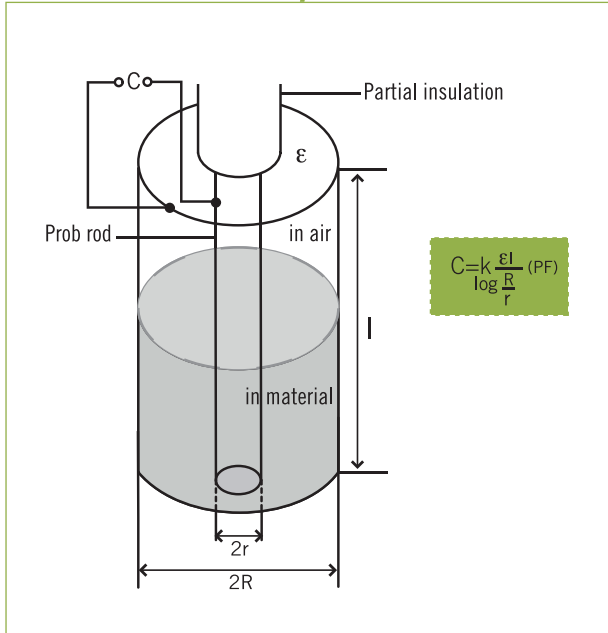
The New-Flow CPLS1000 is used for measuring process vessel at the specific one point for using level alarms or for interlocking level control system.

The New-Flow CPLS1000 has the ability to detect and measure both conductive and non-conductive media. CPLS1000 can be used in many industries for a wide range of applications such as water, oils, and a variety of corrosive materials.

Technical Data

Housing: Aluminum Alloy, IP66, Explosion proof
Probe Insulation Material: PTFE
Rode Probe: SS316, Hastelloy C276, Ni-200, PFA lining
Working Temperature Limit: -20°C ~ +120°C
Working Pressure Limit: 20 Kg/cm²
Process Connection: 1" NPT of thread or flange; ¾" optoin
Flange Connection: ¾" ~ 3", or consult to manufacturer
Operating Sensibility: 4 pf (adjustable)
Power Supply: 110VAC, 220VAC, 24VDC
Contact Form: SPDT
Contact Rating: NO/NC 10A/5A 120VAC
 NO/NC 7A/5A 240VAC

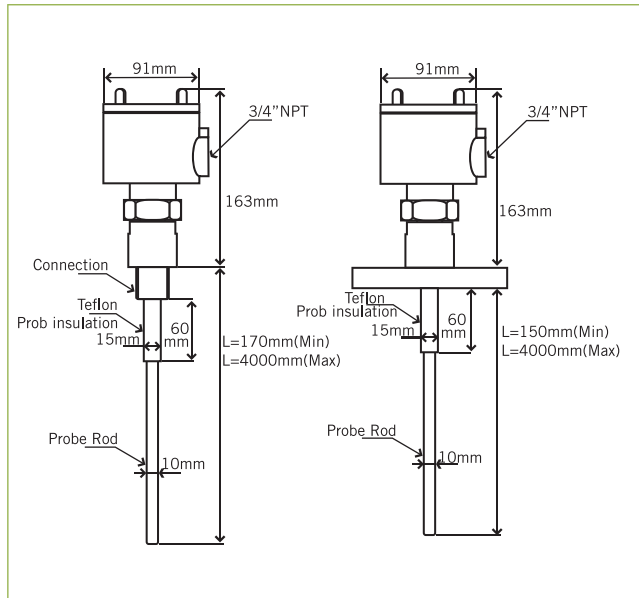
Measurement Principle



Approvals:



Dimensions



Installation Instruction

