

FLOW CONSTANT VALVE FOR PURGE METER CVA/CVD

Technical Data

The CVA series is used in where the pressure at the inlet is variable and the pressure at the outlet is constant.

The CVD series is used in where the pressure at the inlet is constant and the pressure at the outlet is variable.

Flow Rate:

Liquid: Maximum 1000 cc/min water for 1/4"NPT, bigger than it on request

Gas: Maximum 50 NL/Min air for 1/4"NPT, bigger than it on request

Process Connection: 1/4"NPT female, others on request

Temperature Limit: 120°C max.

Pressure Limit: 10 kg/cm², bigger than it on request

Controllable Differential Pressure:

Air— Min. 0.02 kg/cm², Max. 4 kg/cm²;

Liquid— Min. 0.2 kg/cm², Max. 4 kg/cm²;

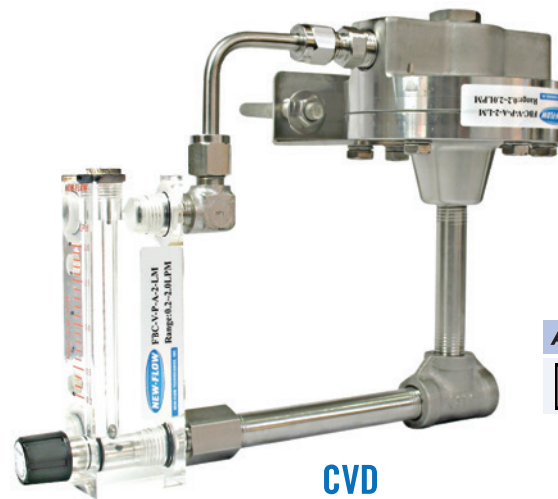
Special range on request.

Accuracy: ±5% F.S.

Material: Body and metal parts-316 stainless steel
Membrane-Teflon, option on request



CVA

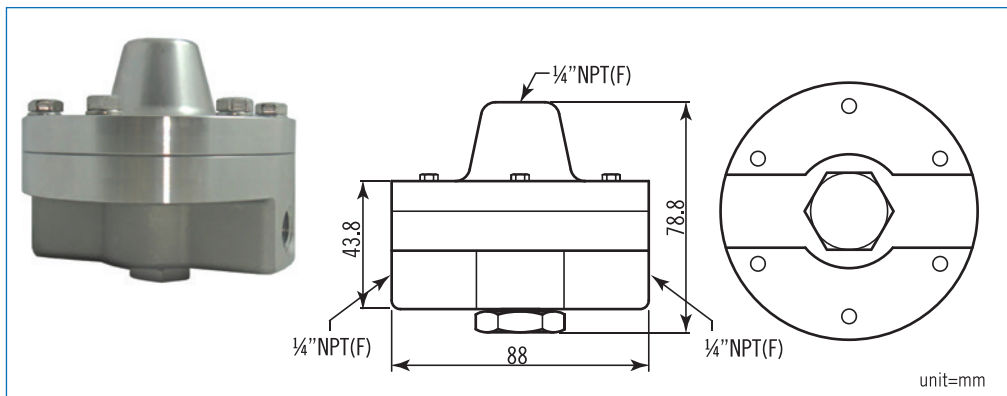


CVD

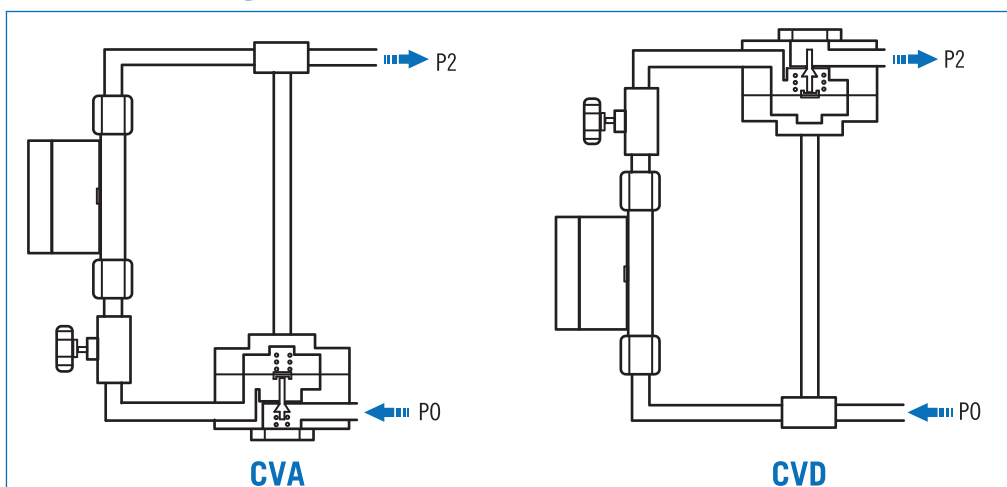
Approvals:



Dimension

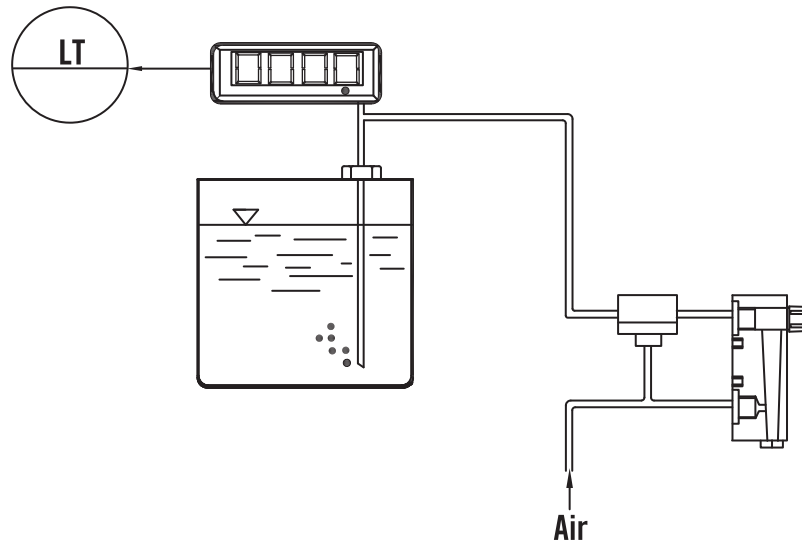


Installed Drawing

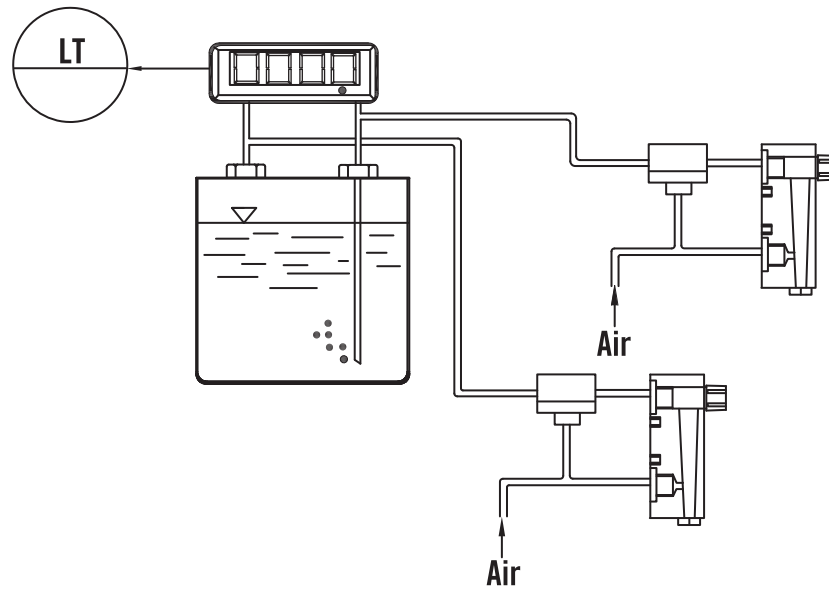


Installed Method

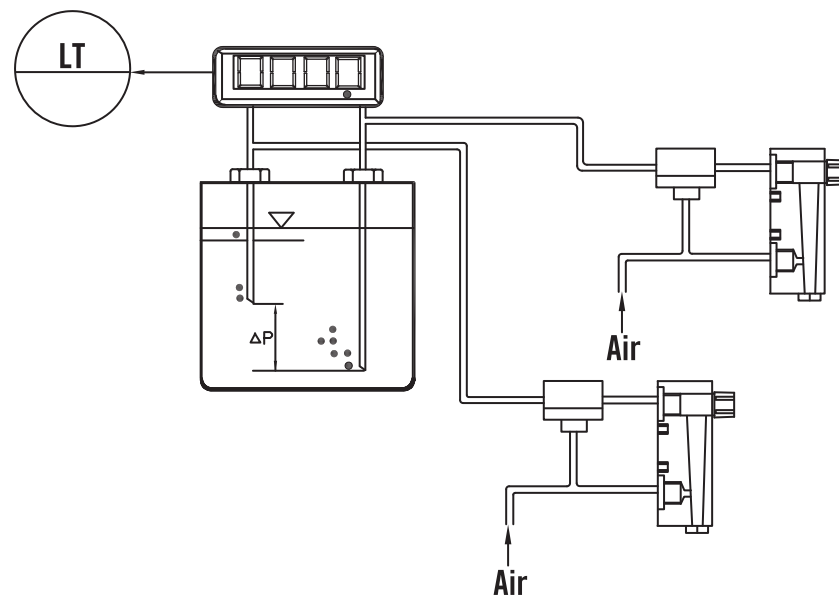
Open Tanks Type Installed Method



Closed Tanks Type Installed Method

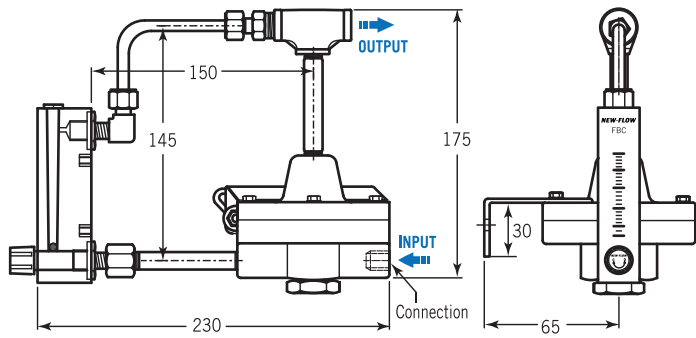


Measuring Density Type Installed Method

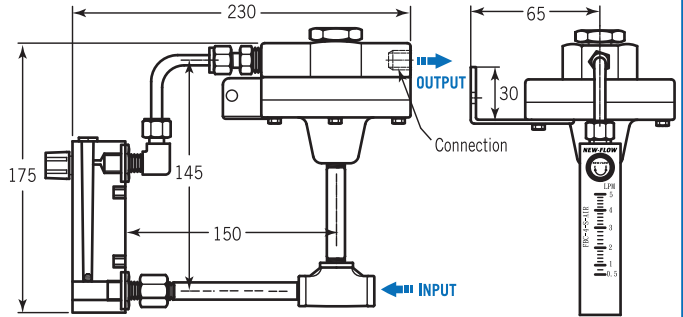


Purge Set W/ Mounting Method

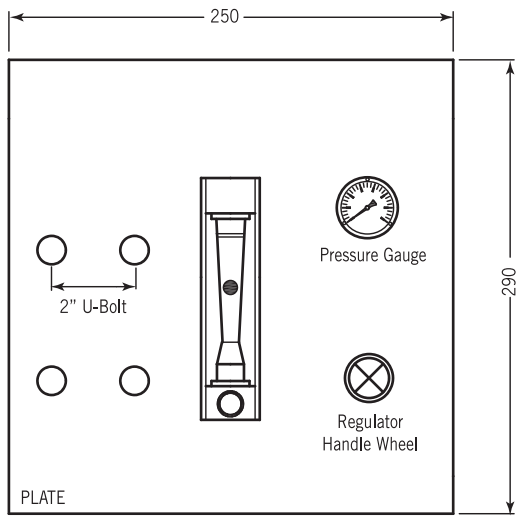
Type A
Acrylic Plastic Flow Meter– CVA purge set



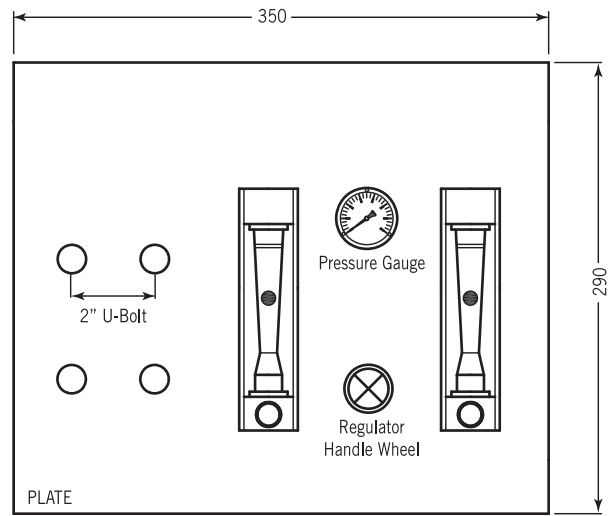
Type B
Acrylic Plastic Flow Meter– CVD purge set



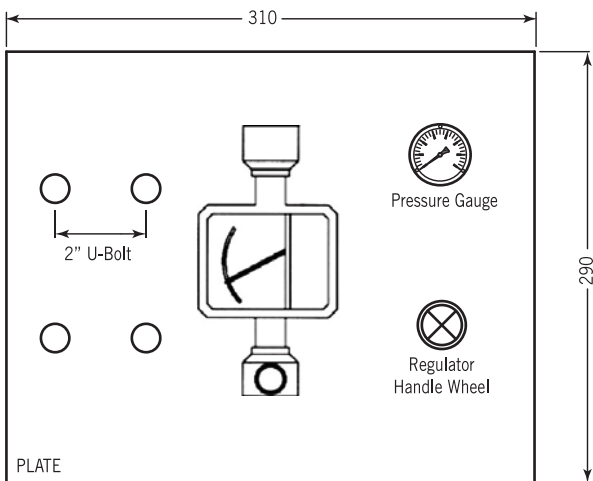
Type C
Glass Tube Flow Meter– One set



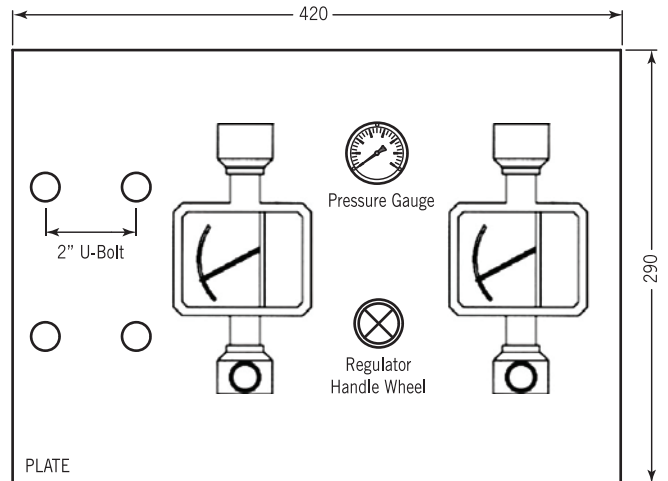
Type D
Glass Tube Flow Meter– Two sets



Type E
Metal Tube Flow Meter– One set



Type F
Metal Tube Flow Meter– Two sets



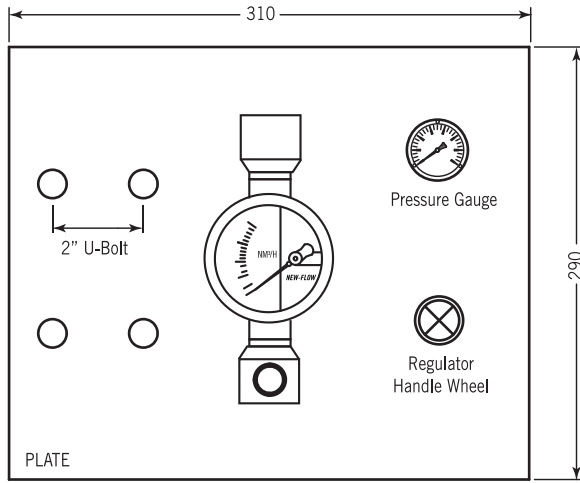
unit=mm

NOTE
Option: Other style available.

Purge Set W/ Mounting Method

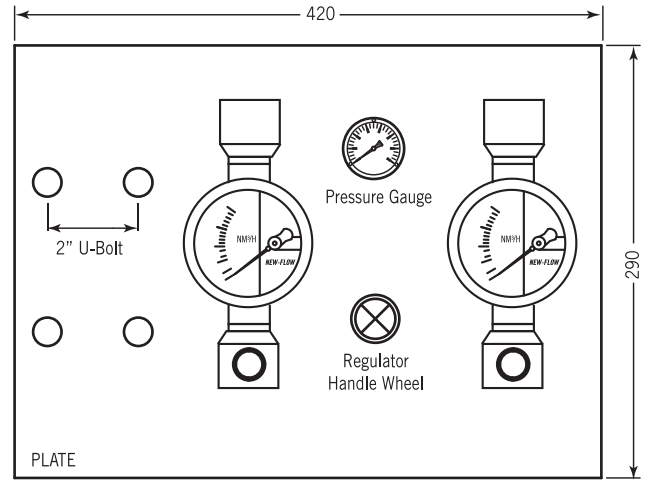
Type G

Metal Tube Flow Meter– One set



Type H

Metal Tube Flow Meter– Two sets



unit=mm

NOTE

Option: Other style available.