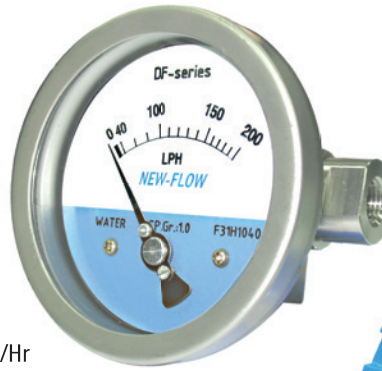


METAL TUBE FLOW METER DF SERIES

DF-1 Indicating Only
DF-2 With Alarm Switch

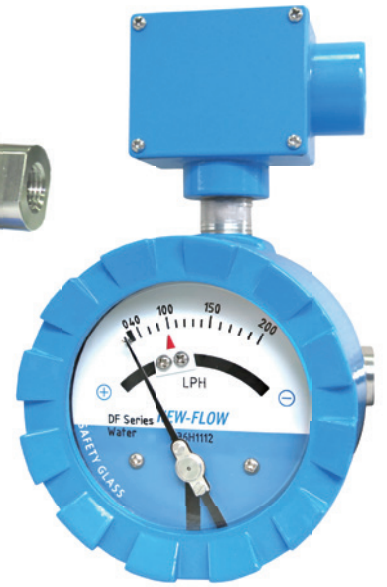
Technical Data

- Service:** Air, Water
- Material:** Case— SS316 for DF-1; Aluminum for DF-2;
 Body— SS316; Orifice Piston— SS316, PVDF
- Dial Size:** DF-1 Indicating only: $\phi 4"$, $\phi 6"$ available
 DF-2 With alarm switch: $\phi 4"$ only
- Indication:** Via Magnetic Coupling (no seals)
- Scales:** LPM, LPH in water; NLPM, Nm³/H in air
- Flow Rate:** Water— 0.25 LPM up to 20 LPM; 15 LPH up to 1200 LPH
 Air— 6 NLPM up to 500 NLPM; 0.35 Nm³/Hr up to 30 Nm³/Hr
- Max. Working Temperature:** 80°C
- Max. Working Pressure:** Standard 200 kg/cm²; other options upon request
- Adjustable Micro Switch**
1 adjustable alarm contact
- Load:** 5A/125VAC, 5A/250VAC, 2A/30VDC
- Temperature:** -25°C ~ +100°C (AMB)
- Hysteresis:** $\pm 10\%$ F.S (Dead Band)
- Connection Size:** $\frac{1}{4}"$, $\frac{1}{2}"$ NPT or BSP
- Protection Class:** IP66
- Accuracy:** $\pm 4\%$ F.S ($\pm 3\%$ F.S option)



DF-1

Approvals:



DF-2

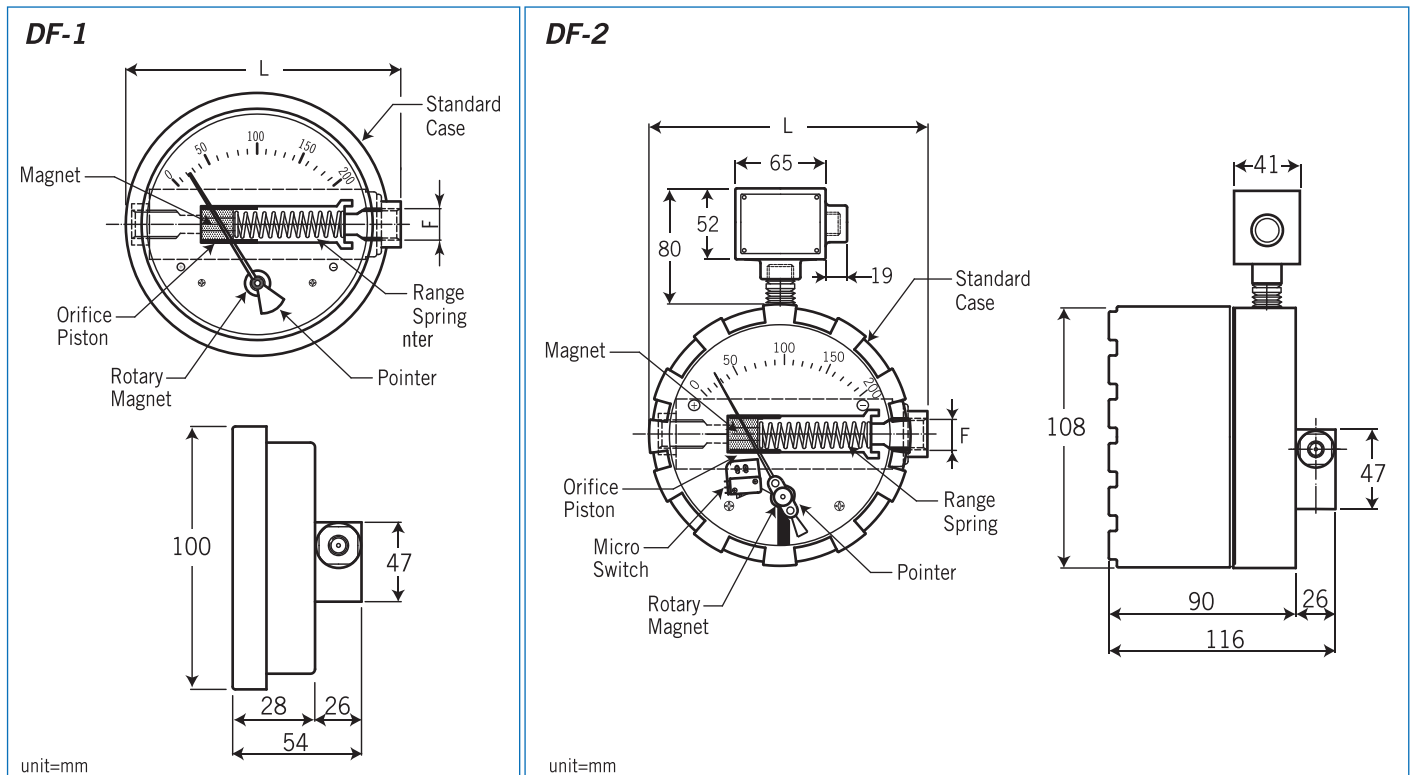
Approvals:



Range Selection Table

Water 20°C				Air 20°C 1.013 bar				BSP/ NPT	Thread Type
Code	LPM	Code	LPH	Code	NLPM	Code	Nm ³ /Hr		
001	0.25~1.3	007	15~80	013	6~30	019	0.35~1.7	$\frac{1}{4}"$	≈ 108
002	0.7~3	008	40~200	014	15~80	020	1~4.7	$\frac{1}{2}"$	≈ 130
003	0.8~4	009	50~250	015	20~110	021	1.3~6.6		
004	1.8~9	010	110~550	016	40~220	023	2.6~13		
005	2.6~13	011	160~800	017	60~320	024	4~20		
006	4~20	012	250~1200	018	100~500	025	6~30		

Dimensions



Ordering Information

DF	Code	Type					
↓	1	Indicating only (case material SS316)					
	2	With alarm switch (case material Aluminum)					
	Code	Flow Range					
	S	Standard Range (Please refer to <i>Range Selection Table.</i>)					
		Please directly fill out the flow range in the order code.					
	Code	Wetted Parts Material					
		(A) SS316					
	Code	Process Connection (Female)					
		(1) ¼" NPT (2) ½" NPT (3) ¼" BSP (4) ½" BSP					
	Code	Conduit Connection					
	(A) ¾" NPT Female (B) ½" NPT Female, Standard (O) Without						
Code	Switch Form						
1	One SPDT (only for DF-2)	2	Without				
DF							Complete Ordering Code