

1" DIGITAL PRESSURE SWITCH

DPG3100T

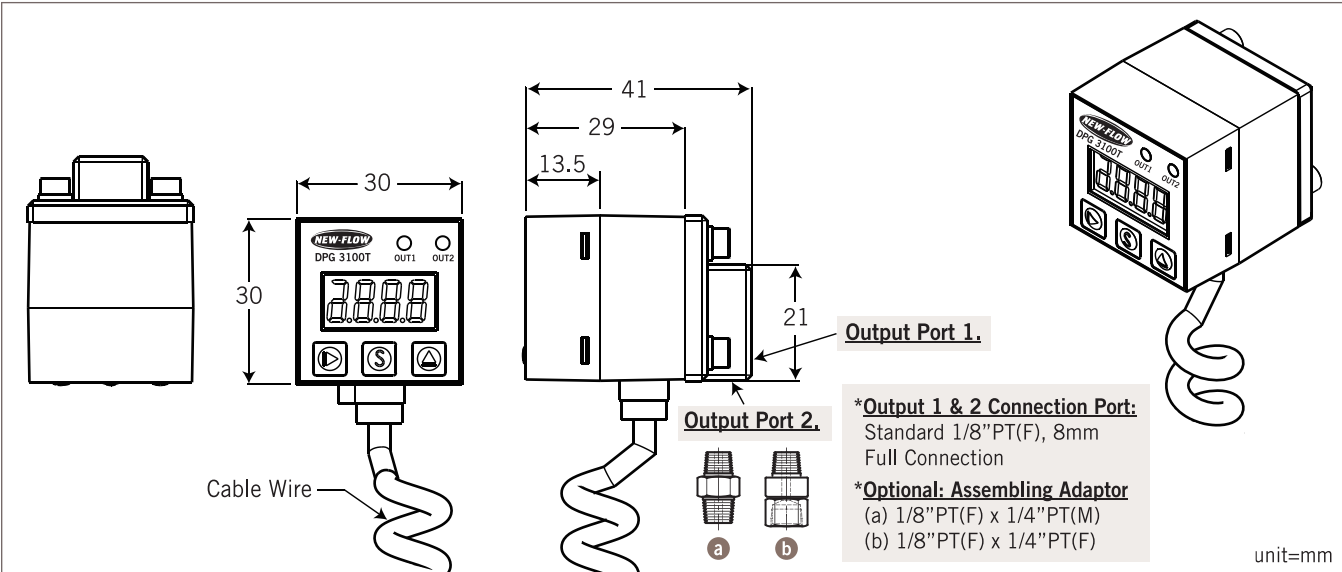
Pressure Range: Vacuum -1 BAR TO 250 BAR
1" Cube Meter for Limited Space
Zero Reset
LCD Digital Display, Temperature Indicator Available
Assembling Adaptor Available

The New-Flow DPG3100T Digital Pressure Switch has two fully-programmable digital outputs available in NPN configurations. When the digital output changes state, the display can be programmed to change to Seven Colors available, and the feature is useful for "at a glance" visual verification. The DPG3100T can be programmed to Hysteresis Setting or Window Setting available.

Technical Data

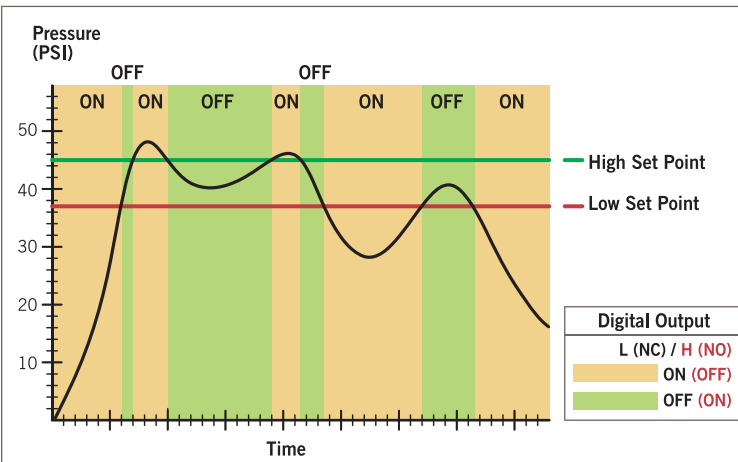
Application: For Non-Corrosive Air and Fluid / Gas application
Mounting Type: Mounting Brackets or Panel Mounting available
Socket Material: SS304L
Accuracy: ±1% of F.S.
LCD Display: (V.A.: 20.0 x 9.6mm) with 7 kinds of colors back-lighted programmable
Resolution: 1/3000 (max.)
Multi Pressure Units: psi, bar, kg/cm², Kpa, Mpa, inHg, cmHg, Atm
Pressure Range: Vacuum -1 bar to 250 bar
Supreme Working Pressure: Up to 250 bar
Temperature Compensated: 0~50°C
Analog Output: Current Output 4~20mA
Digital Output: NPN
Power Supply: 10 to 30 VDC
Weight: approx. 0.15kg

Dimensions

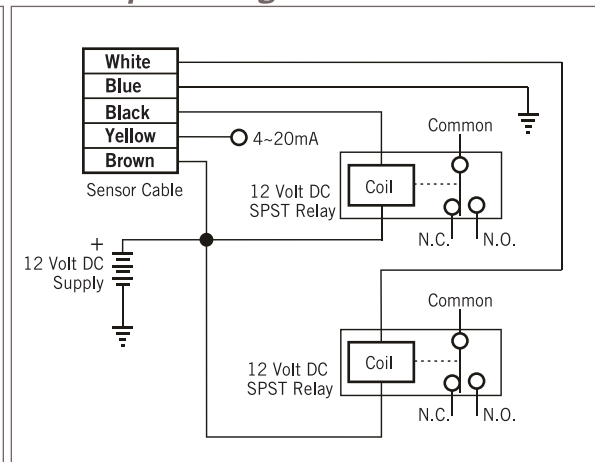


Assembling Adaptor Type

Pressure Curve



NPN Output Wiring



Installation Method for Mounting of Brackets & Panel

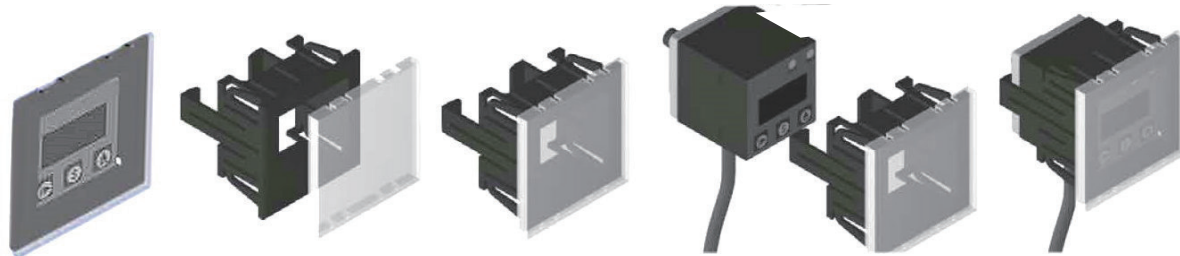
(A) Mounting Brackets:

Two Styles of mounting brackets are included with each sensor. These brackets allow for mounting on either a vertical surface or a horizontal surface. The brackets are installed as shown below. The sensor has two threaded mounting holes on the back side that either bracket screws into.



(B) Panel Mounting:

An alternative to mounting the sensor with the brackets is to use the panel mount option, included with the sensor. The panel mount assembly accepts a wide range for the panel cutout due to spring loaded clips molded into the housing.



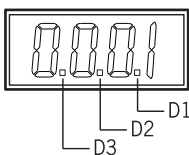
NOTE.
Panel Thickness Range
 1.27 to 3.175mm
Panel Cutout Dimensions
 min. 36.2 x 36.2 mm
 max. 36.8 x 36.8 mm

WWW.NEW-FLOW.COM • TEL: 886-7-8135500 • FAX: 886-7-8225588 • Email: info@new-flow.com

Display Digital Decimal Point & Select Unit Function

| Range | 1 Bar | | 10 Bar | | 35 Bar | | 100 Bar | | 250 Bar | |
|--------------------|-------|-------|--------|-------|--------|------|---------|------|---------|------|
| Decimal Point | D2 | | D1 | | None | | None | | None | |
| Unit | D3 | | D2 | | D1 | | D1 | | D1 | |
| PSI | D2 | 0.01 | D1 | 0.1 | None | | None | | None | |
| Bar | D3 | 0.001 | D2 | 0.01 | D1 | 0.1 | D1 | 0.1 | D1 | 0.1 |
| Kg/cm ² | D3 | 0.001 | D2 | 0.01 | D1 | 0.1 | D1 | 0.1 | D1 | 0.1 |
| KPa | D1 | 0.1 | None | | - | | - | | - | |
| MPa | D3 | 0.001 | D3 | 0.001 | D2 | 0.01 | D2 | 0.01 | D2 | 0.01 |
| in-Hg | D1 | 0.1 | None | | None | | None | | - | |
| cm-Hg | D1 | 0.1 | None | | None | | - | | - | |
| Atm | D3 | 0.001 | D2 | 0.01 | D1 | 0.1 | D1 | 0.1 | D1 | 0.1 |

Decimal Point:



Ordering Information

| DPG3100T | Code | Pressure Range | | |
|----------|------|-------------------|--|-----------|
| | 1 | -1~1 Bar (4~20mA) | 2 | 0~10 Bar |
| | 3 | 0~35 Bar | 4 | 0~100 Bar |
| | 5 | 0~250 Bar | | |
| | | Code | Connection Port- Output 1 & 2 | |
| | | R | Port 1. & 2.: 1/8"PT female, standard | |
| | | R1a | Port 1. c/w adaptor: 1/8"PT female x 1/4"PT male | |
| | | R1b | Port 1. c/w adaptor: 1/8"PT female x 1/4"PT female | |
| | | R2a | Port 2. c/w adaptor: 1/8"PT female x 1/4"PT male | |
| | | R2b | Port 2. c/w adaptor: 1/8"PT female x 1/4"PT female | |
| | | S | Customized | |
| | | Code | Analog Output | |
| | | A | 4~20mA | |
| | | Code | Output Mode | |
| | | N | NPN | |
| DPG3100T | | | | |