

DIFFERENTIAL PRESSURE GAUGE

DPH SERIES

Weather Proof, Piston Type
Range Available: 0-0.6-14 kg/cm² (0-9-200PSI)

DPH series consist of high and low pressure ports. Spring magnet couple with pointer. Differential pressure indicated on dial due to ΔP pressure of high side and low side be made from magnet couple with pointer.

Technical Data

- Dial Size:** $\phi 4''$, $\phi 6''$ available
- Accuracy:** $\pm 2\%$ F.S (on rising pressure)
- Housing Material:** 316 stainless steel
- Housing Protection:** IP66
- Pressure Element:** Wetted parts all in SS316
- Process Connection:** $\frac{1}{4}''$ NPT(F); option with adaptor available
- Working Pressure:** 200 kg/cm²
(Both of High & Low side must be pressured on line at the same time.)
- Working Temperature:** max. 80°C

Range Selection Table

Code	Range	
	psi	kg/cm ²
09R	0~9	0~0.6
11R	0~11	0~0.75
14R	0~14	0~1
30R	0~30	0~2
40R	0~40	0~2.5
60R	0~60	0~4
100R	0~100	0~7
140R	0~140	0~10
200R	0~200	0~14



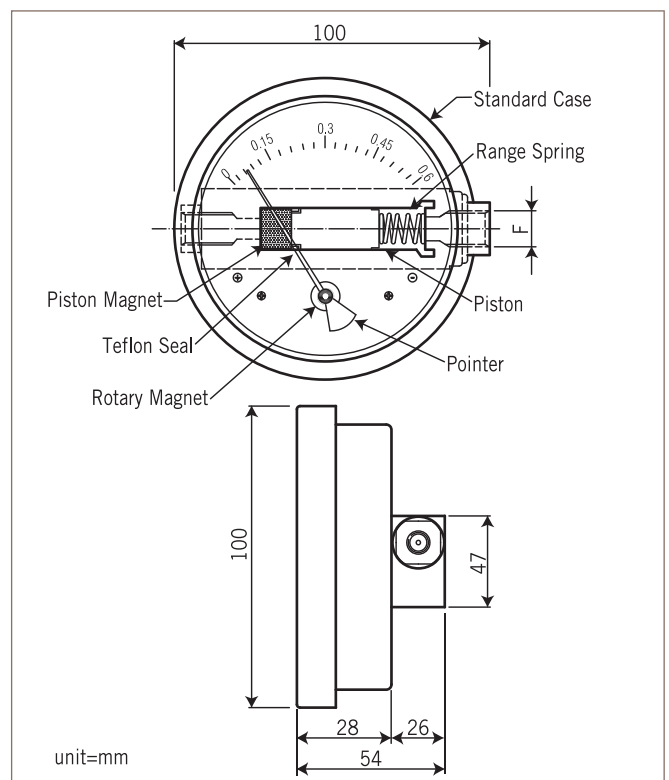
Approvals:



Patent No.

M449263
 China: ZL 2012 2 0666839.5

Dimensions



Ordering Information

DPH	Code	Dial Size													
↓	A	$\phi 4''$	B	$\phi 6''$											
		Code	Range												
↓			09R	0~9 psi	11R	0~11 psi	14R	0~14 psi	30R	0~30 psi	40R	0~40 psi			
			60R	0~60 psi	100R	0~100 psi	140R	0~140 psi	200R	0~200 psi					
↓		Code	Wetted Parts Material												
		A	SS316												
↓		Code	Process Connection												
		1	$\frac{1}{4}''$ NPT Female												
		2	Option (with adaptor)												
DPH															Complete Ordering Code