

# DIFFERENTIAL PRESSURE GAUGE DPH300

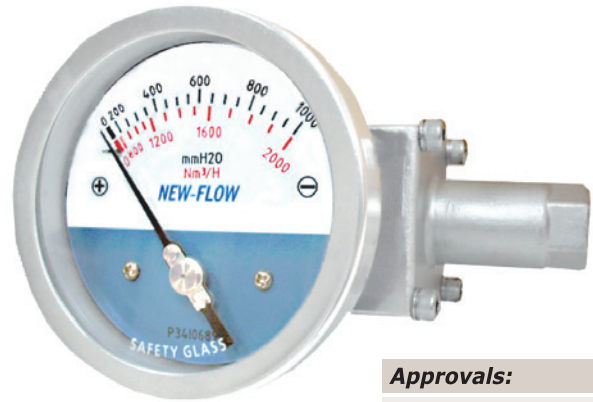
**Weather Proof, Diaphragm Type**

**Range Available: 0 - 0.05 - 0.2kg/cm<sup>2</sup> (0 - 500 - 2000mmH<sub>2</sub>O)**

DPH300 series consist of high and low pressure ports. Spring and diaphragm as well as magnet couple with pointer. Differential pressure indicated on dial due to ΔP pressure of high side and low side be made from magnet couple with pointer.


## Technical Data

- Dial Size:** ø4", ø6" available
- Housing Material:** 316 stainless steel
- Housing Protection:** IP66
- Accuracy:** ±2% F.S (on rising pressure)
- Pressure Element:** Diaphragm-Viton; other parts all in SS316
- Process Connection:** ½" or ¼"NPT female
- Working Pressure:** 100 kg/cm<sup>2</sup>
- (Both of High & Low side must be pressured on line at the same time.)
- Working Temperature:** max. 80°C



### Approvals:

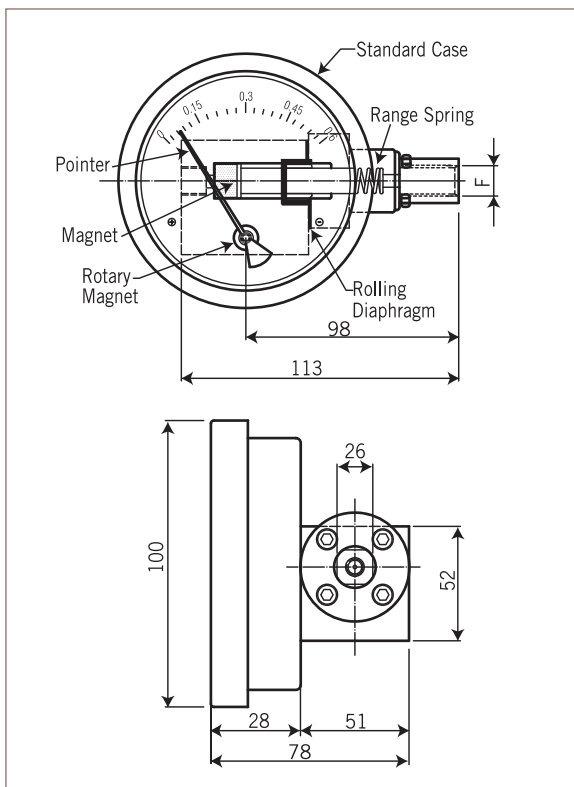


 Switches with UL & CSA Recognized and File No. E41515.

### Patent No.

M449263  
China: ZL 2012 2 0666839.5

## Dimensions-mm



## Range Selection Table

Code	Range		Maximum D/P Pressure Proof
01R	0.7 psi	0~0.050 kg/cm <sup>2</sup>	5 psi
02R	1.1 psi	0~0.075 kg/cm <sup>2</sup>	5 psi
03R	1.5 psi	0~0.10 kg/cm <sup>2</sup>	5 psi
04R	2.3 psi	0~0.16 kg/cm <sup>2</sup>	5 psi
05R	3.0 psi	0~0.20 kg/cm <sup>2</sup>	5 psi

**NOTE.**  
If you need Flow Scale, please contact with factory.

## Ordering Information

DPH300	Code	Dial Size	
	A	ø4"	B ø6"
		<b>Code</b>	<b>Range</b>
		01R	0~0.05 kg/cm <sup>2</sup>
		02R	0~0.075 kg/cm <sup>2</sup>
		03R	0~0.1 kg/cm <sup>2</sup>
		04R	0~0.16 kg/cm <sup>2</sup>
		05R	0~0.2 kg/cm <sup>2</sup>
		<b>Code</b>	<b>Wetted Parts Material</b>
		A	SS316
		<b>Code</b>	<b>Process Connection</b>
			(1) ½"NPT Female (2) ¼"NPT Female
DPH300			

**Complete Ordering Code**