

# DIFFERENTIAL PRESSURE SWITCH EXPLOSION PROOF TYPE DPS2000X

Combine With Switch Available  
Weather Proof, Piston Type  
CLASS I, GROUPS B, C, D;  
CLASS II, GROUPS E, F, G; NEMA 4X  
Range Available: 0-0.6-14 kg/cm<sup>2</sup> (0-9-200psi)

DPS2000X consist of high and low pressure ports. Spring magnet couple with pointer. Differential pressure switch due to ΔP pressure of high side and low side be made from magnet couple combine with micro switch for using in controller system.

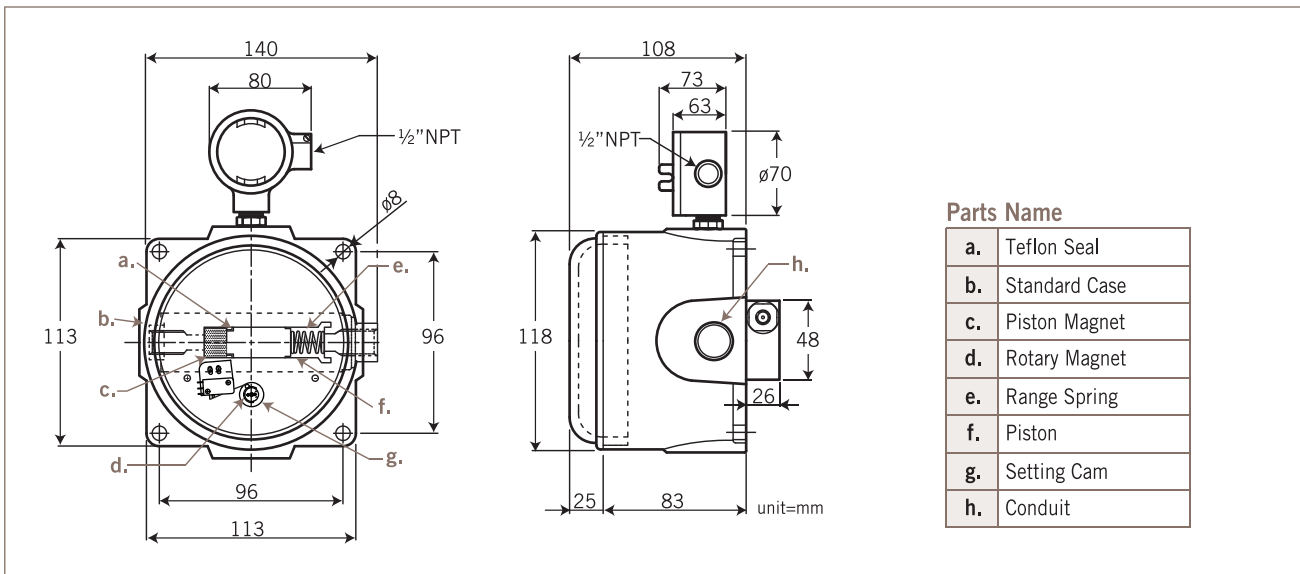
## Technical Data

- Accuracy:** ±2% F.S. (on rising pressure)
- Housing:** Die cast aluminum alloy
- Pressure Element:** Wetted parts all in SS316
- Process Connection:** ¼" NPT female, option with adaptor available
- Conduit Connection:** ½", ¾" NPT female, option available
- Working Pressure:** 200 kg/cm<sup>2</sup>  
(Both of High & Low side must be pressured on line at the same time.)
- Working Temperature:** max. 80°C
- Adjustable Micro Switch:** One adjustable alarm contact, SPDT
- Load:** 5A/125VAC, 5A/250VAC, 2A/30VDC
- Temperature:** -25°C ~ +100°C (AMB)
- Hysteresis:** ±10% of full scale (Dead Band)



<b>Patent No.</b>	<b>Approvals:</b>
M449263 China: ZL 2012 2 0666839.5	EAC CE
	Switches with UL & CSA Recognized and File No. E41515.

## Dimensions



## Range Selection Table

Code	Adjustable Range	
	psi	kg/cm <sup>2</sup>
09R	0~9	0~0.6
11R	0~11	0~0.75
14R	0~14	0~1
30R	0~30	0~2
40R	0~40	0~2.5
60R	0~60	0~4
100R	0~100	0~7
140R	0~140	0~10
200R	0~200	0~14

## Ordering Information

DPS2000X	Code	Range
		Please refer to the Range Selection Table.
		<b>Code</b> <b>Wetted Parts Material</b>
	A	SS316
		<b>Code</b> <b>Process Connection</b>
		(1) ¼" NPT Female (2) Option
		<b>Code</b> <b>Conduit Connection- Female</b>
		(A) ½" NPT (B) ¾" NPT (C) Option
		<b>Code</b> <b>Switch Form</b>
	1	One SPDT

DPS2000X [ ] [ ] [ ] [ ] [ ] [ ]