

DIFFERENTIAL PRESSURE SWITCH-EXPLOSION TYPE

DPS2100X

Explosion Proof Type Protection: IP68
Proof Pressure to 1000psi
Adjustable Ranges: 3~500psi
Temperature: -30 to 205°C

Approvals:




TD0400TJ
 工電(2012)第00320號
 (ITR1)2017第07-00xxx號

Patent No.
 M450724
 China: 2976852

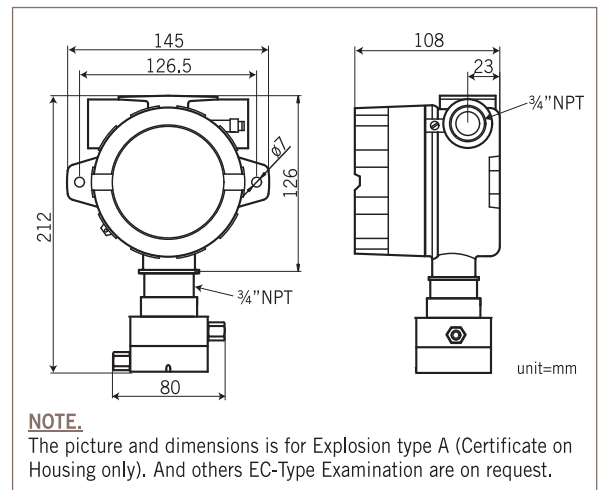


The New-Flow DPS2100X, an explosion proof differential pressure switch, is designed to be used in control systems. DPS2100X has high set point repeatability and narrow dead band features. A variety of range selections are available upon request. Easily adjusted to the set point, no special tools needed!

Technical Data

Switch Data: one SPDT & two SPDT Microswitch, 15amps 125/250VAC, DC 125V 0.4A, DC 30V 3A, / Gold Contact Microswitch 1A 125/250VAC, / Hermetically Sealed Switch 5A/250VAC
Housing: die cast aluminum alloy with paint, and SS316 available
Conduit Connection: Female 3/4", 1/2"NPT, M20 x P1.5 available
Pressure Element: welded type diaphragm
Process Materials: wetted parts are all in SS316
Process Connection: Female 1/2" or 1/4" NPT, BSP, PT; and M20 x P1.5 thread available

Dimension



Range Selection Table

Code	Adjustable Range	Dead Band	Maximum Pressure Proof
10R	3~28 psi	0.15~1.4 psi	1000 psi
20R	7~100 psi	0.35~5 psi	1000 psi
30R	35~200 psi	1.75~10 psi	1000 psi
40R	50~500 psi	2.5~25 psi	1000 psi

Ordering Information

DPS2100X	Code	Range						
	10R	3~28 psi	20R	7~100 psi	30R	35~200 psi	40R	50~500 psi
	Code	Wetted Parts Material						
	A	SS316						
	Code	Process Connection- Female						
		(1) 1/2"NPT (2) 3/4"NPT (3) 1/2"BSP (4) 1/4"BSP (5) 1/2"PT (6) 1/4"PT (7) M20 x P1.5						
	Code	Conduit Connection						
		(E) 3/4"NPT Female, standard (F) 1/2"NPT Female (G) M20 x P1.5 Female						
	Code	Switch Form						
	1	Micro Switch, 1 SPDT	2	Micro Switch, 2 SPDT (one setting point)				
	3a	Gold Contact, 1 SPDT	3b	Gold Contact, 2 SPDT (one setting point)				
	4a	Hermetically Switch, 1 SPDT	4b	Hermetically Switch, 2 SPDT (one setting point)				
	Code	Explosion Proof Type / Housing Material						
	A	Certificate on Housing Only / Aluminum alloy: Class I, Groups B, C & D; Class II, Groups E, F & G; NEMA 4, 7, 9						
	B / B1	Taiwan Explosion Proof Certification / (B) Aluminum alloy (B1) SS316: Ex d IIB + H2 T6 Gb						
	E	International IECEx Certification / Aluminum alloy: Ex db IIB + H2 T6 Gb; Ex tb IIIC T85°C Db						
	X	Europe Union ATEX Certification / Aluminum alloy: II 2 G D Ex db IIB + H2 T6 Gb; II 2 G D Ex tb IIIC T85°C Db						
	J	Japan Explosion Proof Certification / Aluminum alloy: Ex d IIB + H2 T6 Gb; Ex t IIIC T85°C Db						
	R	Russia EACEx Certification / Aluminum alloy: 1Ex d IIB + H2 T6 Gb X; Ex tb IIIC T85°C Db						
DPS2100X								Complete Ordering Code