

DIFFERENTIAL PRESSURE SWITCH NEMA 4, 4X, IP66

DPS2200W

Protection: IP66
Proof Pressure to 750psi
Adjustable Ranges: 400~10000 mmH₂O
Temperature: -30 to 205°C

The New-Flow DPS2200W, a water proof differential pressure switch, is designed to be used in control systems. DPS2200W has high set point repeatability and narrow dead band features. There is a variety of range selections available upon request. Easily adjusted to the set point, no special tools needed!

Technical Data

Switch Data: one SPDT & two SPDT Microswitch, 15amps 125/250VAC, DC 125V 0.4A, DC 30V 3A, / Gold Contact Microswitch 1A 125/250VAC
Housing: die cast aluminum alloy with paint
Conduit Connection: Female 3/4", 1/2"NPT, M20 x P1.5 available
Pressure Element: welded type diaphragm
Process Materials: wetted parts are all in SS316+Titanium
Process Connection: with adaptor 1/2" or 1/4" NPT, BSP and PT Female; and M20 x P1.5 thread available



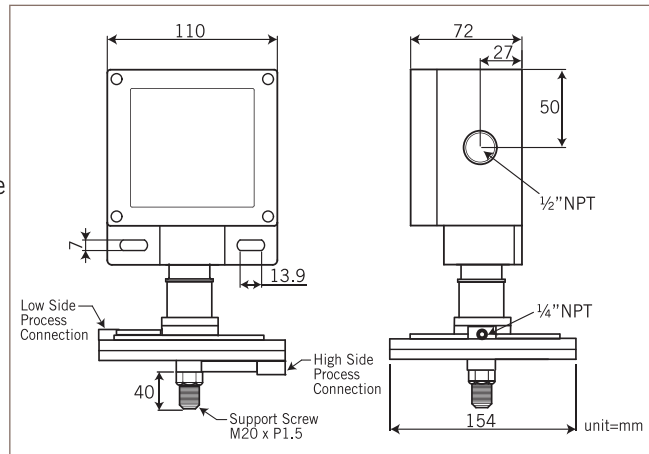
Patent No.
M450724
China: 2976852

Approvals:

ABS
TYPE APPROVED PRODUCT

Switches with UL & CSA Recognized and File No. E12252.

Dimensions



Range Selection Table

Code	Adjustable Range	Dead Band	Maximum Pressure Proof
10R	400~1900 mmH ₂ O	30~80 mmH ₂ O	750 psi
20R	1000~10000 mmH ₂ O	70~200 mmH ₂ O	750 psi

Ordering Information

DPS2200W	Code	Range	Code	Range
	10R	400~1900 mmH ₂ O	20R	1000~10000 mmH ₂ O
	Code	Wetted Parts Material		
	A	SS316+Titanium		
	Code	Process Connection (with adaptor)- Female		
		(1) 1/2"NPT (2) 1/4"NPT (3) 1/2"BSP (4) 1/4"BSP (5) 1/2"PT (6) 1/4"PT (7) M20 x P1.5		
	Code	Conduit Connection		
		(E) 3/4"NPT Female (F) 1/2"NPT Female, standard (G) M20 x P1.5 Female		
	Code	Switch Form		
	1	Micro Switch, 1 SPDT		
	2	Micro Switch, 2 SPDT (one setting point)		
	3a	Gold Contact, 1 SPDT		
	3b	Gold Contact, 2 SPDT (one setting point)		
DPS2200W				
				Complete Ordering Code