

DIFFERENTIAL PRESSURE SWITCH EXPLOSION PROOF TYPE

DPS2300X

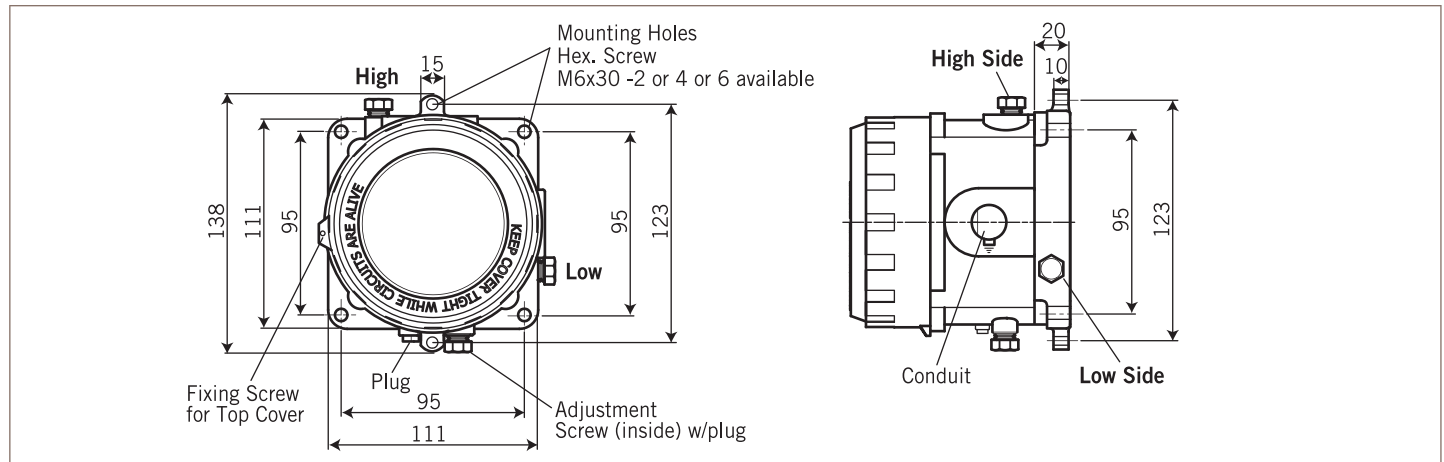
Explosion Proof Type
Protection: IP68
Adjustable Ranges: 0.1~11" W.C.
Temperature: -40 to 60°C

The New-Flow DPS2300X, an explosion proof differential pressure switch, is designed to be used in instrument air and non-corrosive, inert gases. DPS2300X has high set point repeatability and narrow dead band features. A variety of range selections are available upon request. Easily adjusted to the set point.

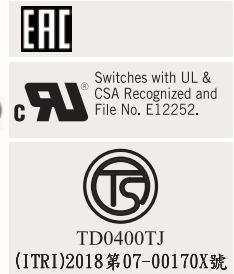
Technical Data

Switch Data: SPDT 15A @125, 250, 480VAC, 60Hz. Resistive
1/8 HP @125VAC; 1/4 HP @250VAC, 60Hz
Housing Material: Die cast aluminum alloy with positive electrode
Pressure Element: Silica gel diaphragm
Process Materials: Wetted parts are all in SS316
Set Point Adjustment: Screw type on top of housing c/w plug
Mounting Type: Diaphragm in vertical position
Conduit Connection: 1/2" and 3/4"NPT Female available
Process Connection: High & Low side: Female thread 1/4"NPT, 1/4"PT or G1/4"
Pressure Limit: Surge 0.7 Bar
Temperature Limit: -40~140°F (-40~60°C)
Weight: approx. 1.9 Kg

Dimensions-mm



Approvals:



Range Selection Table

Inch of Water ("W.C.):

| Code | Adjustable Range | Dead Band | Continuous/Surge |
|------|------------------|------------------|--------------------|
| 01W | 0.1~0.25" W.C | 0.04 / 0.07" W.C | 0.12 Bar / 0.7 Bar |
| 02W | 0.15~1.8" W.C | 0.1 / 0.2" W.C | 0.12 Bar / 0.7 Bar |
| 03W | 0.4~2.5" W.C | 0.15 / 0.3" W.C | 0.12 Bar / 0.7 Bar |
| 04W | 0.8~4.0" W.C | 0.2 / 0.4" W.C | 0.12 Bar / 0.7 Bar |
| 05W | 3.0~11.0" W.C | 0.4 / 0.5" W.C | 0.12 Bar / 0.7 Bar |

Ordering Information

| DPS2300X | Code | Range | | | | | | | | |
|----------|------|----------------|--|----------------|-----|---------------|-----|---------------|-----|------------------------|
| | 01W | 0.1~0.25" W.C. | 02W | 0.15~1.8" W.C. | 03W | 0.4~2.5" W.C. | 04W | 0.8~4.0" W.C. | 05W | 3.0~11.0" W.C. |
| | | Code | Wetted Parts Material | | | | | | | |
| | | A | SS316 | | | | | | | |
| | | Code | Process Connection (High & Low Side) | | | | | | | |
| | | | (1) 1/4"NPT Female (2) 1/4"PT Female (3) G1/4" Female (O) Option | | | | | | | |
| | | Code | Conduit Connection | | | | | | | |
| | | E | (E) 1/2"NPT Female, standard (F) 3/4"NPT Female (O) Option | | | | | | | |
| | | Code | Switch Form | | | | | | | |
| | | 1 | One SPDT | | | | | | | |
| | | Code | Explosion Proof | | | | | | | |
| | | B | Taiwan Explosion Proof Certification Ex d IIB + H2 T6 Gb; Ex tb IIIC T85°C Db | | | | | | | |
| DPS2300X | | | | | | | | | | Complete Ordering Code |