

# DIAPHRAGM PRESSURE REGULATOR

## DRV-15

The DRV-15 is a Low pressure regulating valve that is suitable for pressure control of air, gas, constant outlet pressure between 55 and 8000 mmH<sub>2</sub>O.

### Technical Data

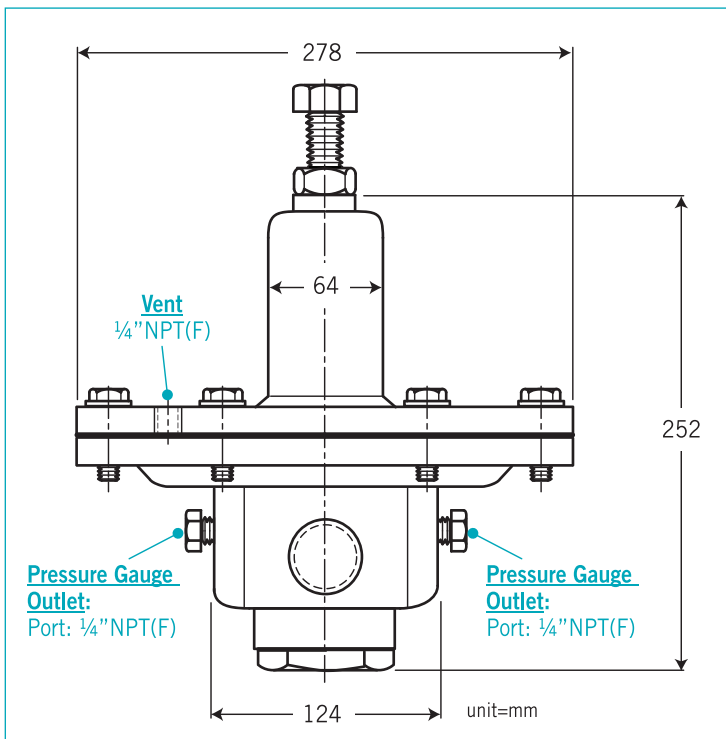
**Outlet Pressure 55 to 8000 mmH<sub>2</sub>O; Flow Rate 486 to 2403 LPM.**  
**Adjustable Outlet Pressure Range and Max. Flow Rate:** Please refer to the Curve Table  
**Inlet Pressure:** 6 kg/cm<sup>2</sup> (87 psig)  
**Body Material:** CF8M  
**Diaphragm Material:** NBR + PTFE foil  
**Seat Material:** Viton  
**Plug & Trim Material:** SS316  
**Operating Temperature:** -20°C to +60°C  
**Process Connection:** Inlet: 1" NPT & 1" BSP female;  
 Outlet: 1" NPT & 1" BSP female available



Approvals:

CE 1128

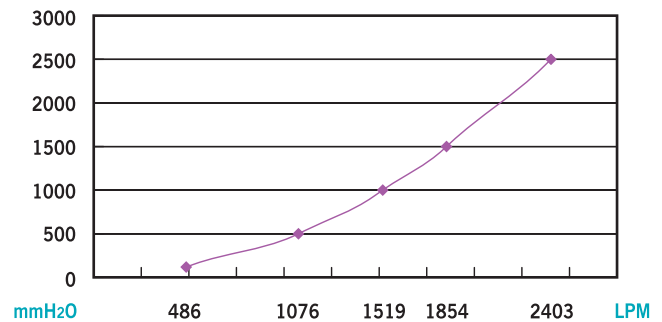
### Dimensions



### Curve Table

Pressure (mmH<sub>2</sub>O) / Flow Rate (LPM)  
 Fluid: Air

Outlet: 55~8000 mmH<sub>2</sub>O  
 Bore Size: 11.9 mm  
 Inlet Pressure: 3 bar



### Ordering Information

DRV-15	Code	Instrument Connection (Female) Inlet x Outlet
		(A) 1" NPT(F) x 1" NPT(F) (B) 1" BSP(F) x 1" BSP(F)
	<b>Code</b>	<b>Diaphragm Material</b>
	A	NBR + PTFE foil
	<b>Code</b>	<b>Spring Range</b>
		(A) 55~2000 mmH <sub>2</sub> O (B) 65~4000 mmH <sub>2</sub> O (C) 80~8000 mmH <sub>2</sub> O
	<b>Code</b>	<b>Body Material</b>
	A	CF8M
<b>DRV-15</b>		<b>Complete Ordering Code</b>