

DIAPHRAGM PRESSURE REGULATOR

DRV-20

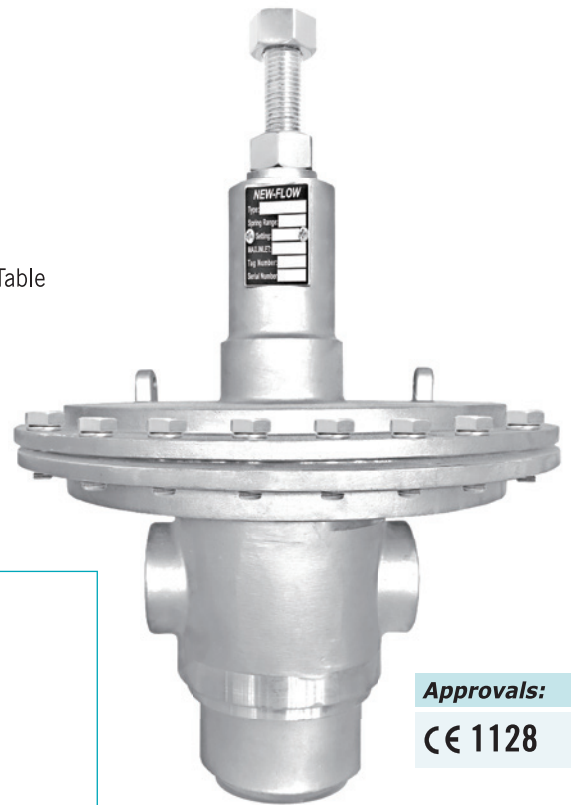
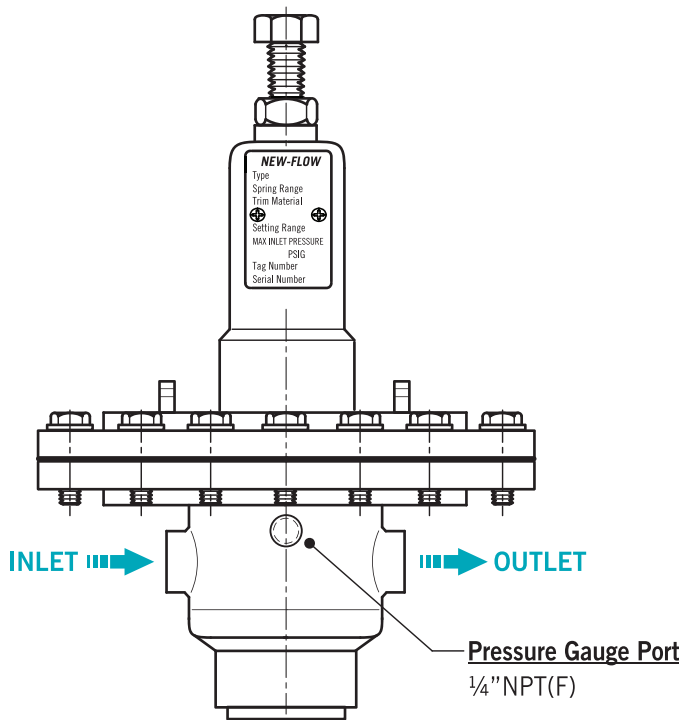
The DRV-20 is a Low pressure regulating valve that is suitable for pressure control of air, gas, constant outlet pressure between 55 and 5000 mmH₂O.

Technical Data

- Outlet Pressure** 55 to 5000 mmH₂O; **Flow Rate** 100 to 400 Nm³/H.
- Adjustable Outlet Pressure Range and Max. Flow Rate:** Please refer to the Curve Table
- Inlet Pressure:** 6 kg/cm² (87 psig)
- Body Material:** CF8M
- Diaphragm Material:** NBR + PTFE foil
- Seat Material:** Viton
- Plug & Trim Material:** SS316
- Operating Temperature:** -20°C to +60°C
- Process Connection:** Inlet: 2" NPT & 2" BSP female;
Outlet: 2" NPT & 2" BSP female available

Dimensions-mm

Please consult with the manufacturer for the detailed dimensions.



Approvals:

CE 1128

Ordering Information

DRV-20	Code	Process Connection (Female) Inlet x Outlet
		(A) 2" NPT(F) x 2" NPT(F) (B) 2" BSP(F) x 2" BSP(F)
	Code	Diaphragm Material
	A	NBR + PTFE foil
	Code	Spring Range
		(A) 55~500 mmH ₂ O (B) 300~2000 mmH ₂ O (C) 500~5000 mmH ₂ O
Code	Body Material	
A	CF8M	
DRV-20		Complete Ordering Code