

ACRYLIC PLASTIC FLOW METER

With Alarm Switch DS SERIES *with needle valve type* *without needle valve type*

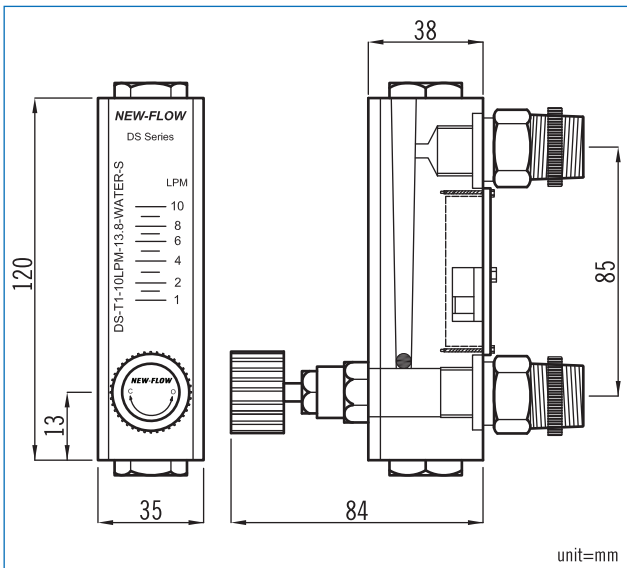
Technical Data

Service: Water, Air
Wetted parts material: Body: Acrylic Plastic; O-Ring-Viton; Float-magnet cover with Nickel
Connecting material: SS316
Connecting size: 1/4", 3/8"NPT or PT female available
Mounting: vertical position
Temperature & pressure limits: 150 psig(10bar) @ 100°F(38°C)
Temperature limit: -24°C~+54°C
Accuracy: ±5% full scale
Alarm switch: one or two setting points, form A N.O. type bistable reed switch
Switch rating: AC 125V 0.5A / DC 100V 10W / Max. DC 250V <40mA
Weight: 0.55~0.6 kg
 (Contact setting point should be within 10% to 80% of FS)

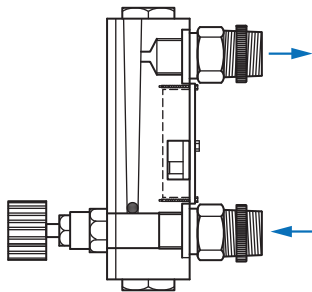
Approvals:



Dimensions



Flow Direction Types



Bottom Rear to Top Rear

Ordering Information

DS	Code	Needle Valve	
		1	2
		With	Without
		Code Flow Range	
	A-1	Water (LPH-Litter per Hour)	
		(1) 20~180 (2) 25~250 (3) 30~300 (4) 50~500	
	A-2	Water (LPM-Litter per Minute)	
		(5) 0.35~3 (6) 0.4~4 (7) 0.5~5 (8) 0.8~8	
	B	Air (LPM-Normal Litter per Minute)	
		(9) 8~80 (10) 10~100 (11) 25~250	
	C-1	Water (GPH-Gallon (us) per Hour)	
		(12) 5~50 (13) 6.5~65 (14) 8~80 (15) 13~130	
	C-2	Water (GPM-Gallon (us) per Minute)	
		(16) 0.08~0.8 (17) 0.1~1 (18) 0.15~1.5 (19) 0.2~2	
	D	Air (SCFM-Standard Cubic Feet per Minute)	
		(20) 0.3~3 (21) 0.35~3.5 (22) 0.8~8	
		Code Alarm Switch	
	1R	One setting point	
	2R	Two setting points	
	0	Without alarm	
		Code Process Connection	
	A	1/4"NPT female	
	B	3/8"NPT female	
	C	3/8"PT female	
	D	1/4"PT female	
		Code Flow Direction	
	BT	Bottom rear to Top rear	
DS			Complete ordering code