

MINI TYPE DIAPHRAGM SEAL

DT102

DT-102 diaphragm seal is designed for application in highly viscous process industries. It is easy to assemble with pressure gauges, pressure switches, and pressure instrument.

Approvals:

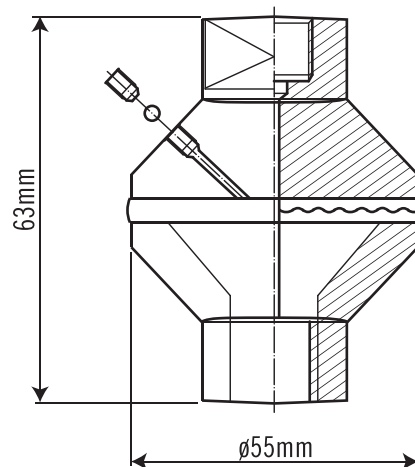
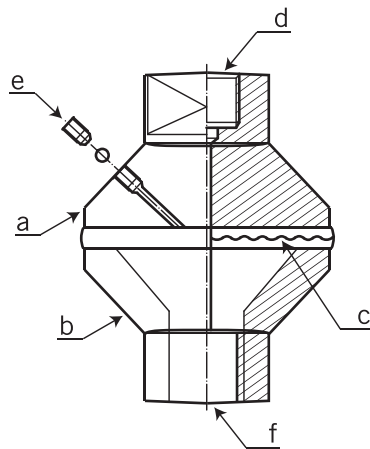


Technical Data

- Instrument connection:** female thread 1/4" to 1/2" BSP or NPT
- Process connection:** 1/4" to 1/2" BSP or NPT, option available
- Temperature limited:** -40~+150°C
- Pressure range limited:** Maximum up to 100 kg/cm² (for pressure gauge)
Minimum 0~4 kg/cm²
- Material:** body-SS316 (standard), option: SS316L, Hastelloy C276, others on request
- Membrane:** SS316L (standard); Options- Hastelloy C276, tantalum and others on request.

Dimensions

Item	Description of Parts
a	Upper housing
b	Lower housing
c	Membrane
d	Instrument connection
e	Filling port
f	Process connection



NOTE
Performance Technical Data are effective with date of issue and are subject to change without prior notice.

Ordering Information

DT102	Code	Instrument Connection (Female)
		(A) 1/4" BSP (B) 1/4" NPT (C) 3/8" BSP (D) 3/8" NPT (E) 1/2" BSP (F) 1/2" NPT (standard)
	Code	Process connection (Female)
		(1) 1/4" BSP (2) 1/4" NPT (3) 3/8" BSP (4) 3/8" NPT (5) 1/2" BSP (6) 1/2" NPT (standard)
	Code	Upper housing material
		(S) SS316(standard) (0) Option
	Code	Lower housing material
		(S) SS316(standard) (0) Option
	Code	Membrane material
		(1) SS316L (2) Hastelloy C276 (3) Tantalum (4) Option

DT102						Complete ordering code
--------------	--	--	--	--	--	-------------------------------