

THREAD TYPE DIAPHRAGM SEAL

DT103

DT-103 diaphragm seal is designed to be used in highly viscous process industries. It is easy to assemble with pressure gauges, pressure switches, and pressure instruments.

Technical Data

Instrument connection: female thread ¼" to ½" BSP or NPT

Process connection: ½" to 2" BSP male thread

Temperature limited: -40~+150°C

Pressure range limited: (for pressure gauge)

Size	½"	¾"	1"	1½"	2"
MINIMUM LIMITED (kg/cm ²)	0~25	0~10	0~4	0~1.6	-1~+1.5
MAXIMUM LIMITED (kg/cm ²)	0~350	0~200	0~60	0~40	0~25

Material: body-SS316(standard)

Option: SS316L, Hastelloy C276, and others on request

Membrane: SS316L(standard)

Option: Hastelloy C276, tantalum and others on request



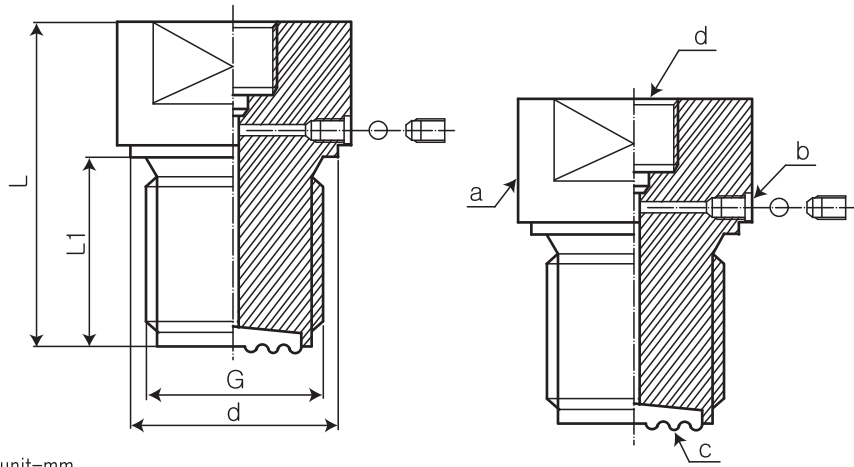
Approvals:



Dimensions

Item	Description of Parts
a	Body housing
b	Filling port
c	Membrane
d	Instrument connection

NOTE
Performance Technical Data are effective with date of issue and are subject to change without prior notice.



Dimensional Data

G	½"BSP	¾" BSP	1"BSP	1½"BSP	2"BSP
d	-	32	39	55	68
L	55	56	55	65	70
L1	20	20	21	30	30

unit=mm

Ordering Information

DT103	Code	Instrument Connection (Female)
		(A) ¼"BSP (B) ¼"NPT (C) ¾"BSP (D) ¾"NPT (E) ½"BSP (F) ½"NPT
		Code Process connection (Male)
		(1)½" BSP (2) ¾" BSP (3) 1"BSP (4) 1½"BSP (5) 2"BSP (6) Option
		Code Body housing material
		(S) SS316(standard) (0) Option
		Code Membrane Material
		(1) SS316L (2) Hastelloy C276 (3) Tantalum (4) Option
DT103		Complete ordering code