

# THREAD TYPE DIAPHRAGM SEAL

## DT108

DT108 diaphragm seal is designed low cost type to be used in highly viscous process media such as pulp, paper, waste water treatment, and plastic/chemical process industries. DT108 is easy to assemble with pressure gauges, pressure switches, and pressure instruments.



**Approvals:**

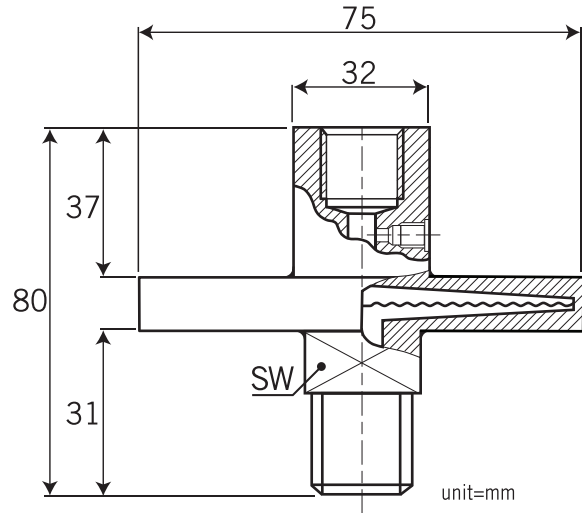
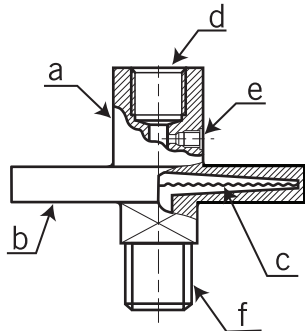
WWW.NEW-FLOW.COM • TEL: 886-7-8135500 • FAX: 886-7-8225588 • Email: info@new-flow.com

### Technical Data

- Instrument connection:** female thread ¼" to ½" BSP or NPT
- Process connection:** ¼" to ½" Thread BSP or NPT
- Temperature limited:** -40~+150°C cooling element or capillary line up to 350°C
- Pressure range limited:** Maximum up to 40 kg/cm<sup>2</sup>  
Minimum -760 mmHg ~0, 0~0.6 kg/cm<sup>2</sup>
- Material:** Upper & Lower housing-SS316 (standard), others on request
- Membrane:** SS316L (standard); Options– Hastelloy C276, tantalum, and others on request.

### Dimensions

Item	Description of Parts
a	Upper housing
b	Lower housing
c	Membrane
d	Instrument connection
e	Filling port
f	Process connection



### Ordering Information

<b>DT108</b>	<b>Code</b>	<b>Instrument Connection (Female)</b>
↓		(A) ¼" BSP (B) ¼" NPT (C) ¾" BSP (D) ¾" NPT (E) ½" BSP (F) ½" NPT
	<b>Code</b>	<b>Process connection rating</b>
		(1) ¼" BSP (2) ¼" NPT (3) ¾" BSP (4) ¾" NPT (5) ½" BSP (6) ½" NPT (7) Option
	<b>Code</b>	<b>Thread</b>
		(M) Male (F) Female
	<b>Code</b>	<b>Upper housing material</b>
		(S) SS316(standard) (0) Option
	<b>Code</b>	<b>Lower housing material</b>
		(S) SS316(standard) (0) Option
	<b>Code</b>	<b>Membrane material</b>
		(1) SS316L (2) Hastelloy C276 (3) Tantalum (4) Option
<b>DT108</b>		<b>Complete ordering code</b>