

THREAD TYPE DIAPHRAGM SEAL

DT110

DT110 diaphragm seal is designed to be used in highly viscous process media such as pulp, paper, waste water treatment, and plastic/chemical process industries. DT110 is easy to assemble with pressure gauges, pressure switches, and pressure instruments.

Technical Data

Instrument connection: female thread ¼" to ½" BSP or NPT

Membrane size: Ø55, Ø75 for pressure gauge; and Ø95 for Differential pressure gauge

Process connection: ¼" to ½" Thread BSP or NPT

Temperature limited: -40~+150°C cooling element or capillary line up to 350°C

Pressure range limited:

Maximum up to 40 kg/cm²

Minimum: -760 mmHg~0, 0~4 kg/cm² (Ø75 Membrane)

0~6 kg/cm² (Ø55 Membrane)

Material: Upper & Lower housing- SS316 (standard), others on request

Membrane: SS316L (standard); Options- Hastelloy C276, tantalum, and others on request.

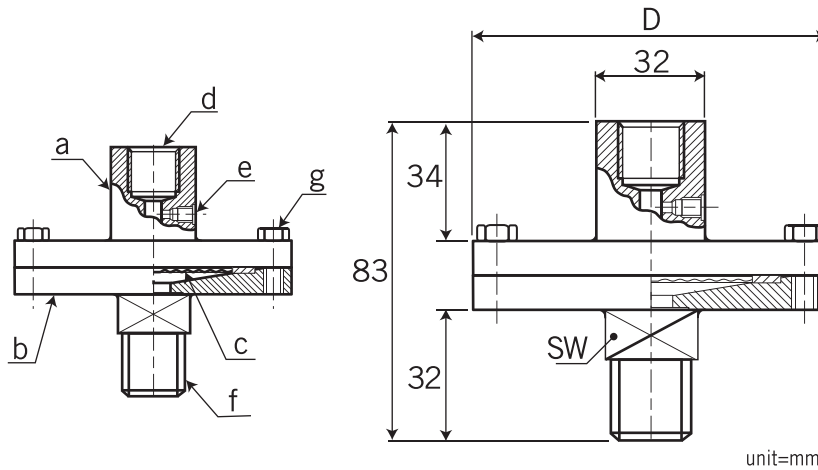


Approvals:



Dimensions

Item	Description of Parts
a	Upper housing
b	Lower housing
c	Membrane
d	Instrument connection
e	Filling port
f	Process connection
g	Screw bolt



Membrane size			
Ø	55	75	95
D	80	100	120

unit=mm

Ordering Information

DT110	Code	Instrument Connection (Female)
		(A) ¼"BSP (B) ¼"NPT (C) ⅜"BSP (D) ⅜"NPT (E) ½"BSP (F) ½"NPT
		Code Membrane size
		(B) Ø55 (C) Ø75 (D) Ø95
		Code Process connection
		(1) ¼" BSP (2) ¼" NPT (3) ⅜" BSP (4) ⅜" NPT (5) ½" BSP (6) ½" NPT (7) Option
		Code Thread
		(M) Male (F) Female
		Code Upper housing material
		(S) SS316(standard) (O) Option
		Code Lower housing material
		(S) SS316(standard) (O) Option
		Code Membrane material
		(1) SS316L (2) Hastelloy C276 (3) Tantalum (4) Option
DT110		Complete ordering code