

FLANGE TYPE DIAPHRAGM SEAL

DT122

DT122 diaphragm seal is designed to be used in highly viscous process media such as pulp, paper, waste treatment, and plastic chemical process industries. DT122 is easy to assemble with pressure gauges, pressure switches, and pressure instruments.

Technical Data

Instrument connection: female thread 1/4" to 1/2" BSP or NPT

Membrane size: Ø36, Ø45, Ø75 available

Process connection: 1/2" to 3" Flange, JIS, ANSI, DIN available

Temperature limited: -40~+150°C cooling element or capillary line up to 350°C

Pressure range limited:

Ø75 Membrane: -760 mmHg~0, Minimum process flange 2" x 150#

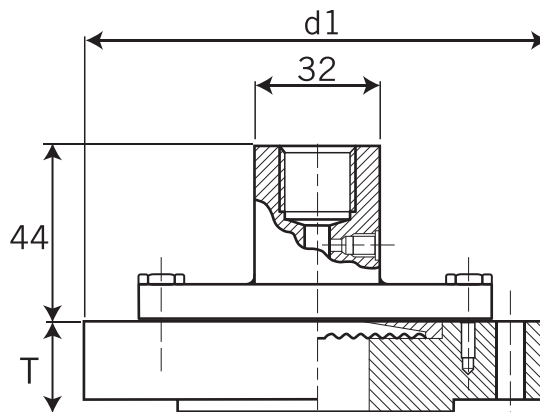
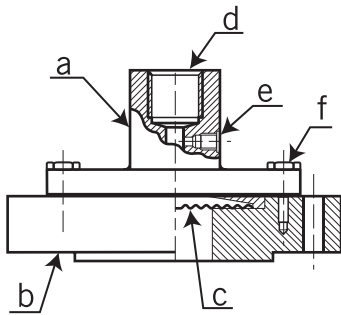
Ø45 Membrane: Maximum up to 40 kg/cm²
Minimum -1~5 kg/cm², 0~6 kg/cm²
Minimum process flange 3/4" x 150#

Ø36 Membrane: Maximum up to 40 kg/cm²
Minimum 0~10 kg/cm²
Minimum process flange 1/2" x 150#

Material: Upper & Lower housing-SS316(standard), others on request
Membrane: SS316L (standard); Options- Hastelloy C276, tantalum, and others on request.

Dimensions

Item	Description of Parts
a	Upper housing
b	Lower housing
c	Membrane
d	Instrument connection
e	Filling port
f	Screw bolt



unit=mm

Please note: d1 & T dimension are according to the flange rating and size.

*The flange sizes of 1" to 4" are available upon request.
The dimensions are according to the standard specifications of JIS, ANSI and DIN.

Ordering Information

DT122	Code	Instrument Connection (Female)
		(A) 1/4"BSP (B) 1/4"NPT (C) 3/8"BSP (D) 3/8"NPT (E) 1/2"BSP (F) 1/2"NPT
		Code Membrane size
		(A) Ø36 (B) Ø45 (C) Ø75
		Code Process connection rating
		(1) 1/2" (2) 3/4" (3) 1" (4) 1 1/2" (5) 2" (6) 3" (7) Option
		Code Flange rating
		(1) 150# (2) 300# (3) PN16 (4) PN25 (5) JIS 10K (6) JIS 20K (7) Option
		Code Upper housing material
		(S) SS316(standard) (O) Option
		Code Lower housing material
		(S) SS316 (O) Option
		Code Membrane material
		(1) SS316L (2) Hastelloy C276 (3) Tantalum (4) Option
DT122		Complete ordering code



Approvals:



Patent No.

M328564