

FLUSH MEMBRANE TYPE DIAPHRAGM SEAL DT127

DT127 diaphragm seal is designed to be used in highly viscous process media such as pulp, paper, waste treatment, and plastic/chemical process industries. DT127 is easy to assemble with pressure gauges, pressure switches, and pressure instruments.

Technical Data

Instrument Connection: female thread ¼" to ½"NPT or BSP

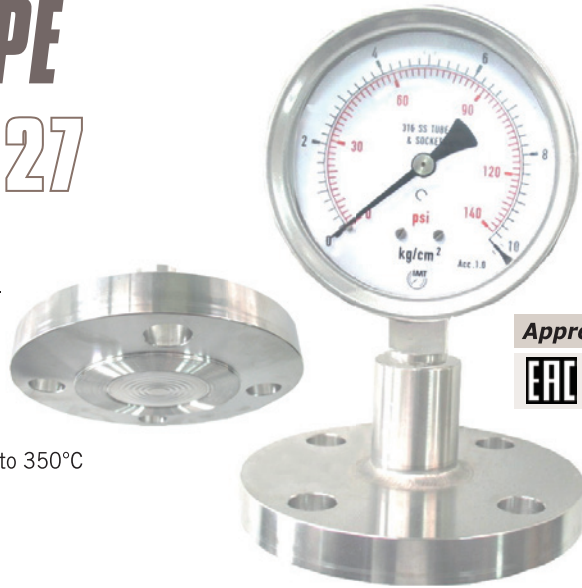
Process Connection: 1" to 3" Flange, JIS, ANSI, DIN rating available

Temperature Limited: -40~+150°C cooling element or capillary line up to 350°C

Pressure Range & Flange Size Limited:

- ø36 Membrane: Maximum up to 40 kg/cm²; Minimum 0~10 kg/cm²
Minimum process flange 1" x 150#
- ø45 Membrane: Maximum up to 40 kg/cm²; Minimum 0~6 kg/cm²
Minimum process flange 1½" x 150# or 2" x 150#
- ø55 Membrane: Maximum up to 40 kg/cm²; Minimum 0~4 kg/cm²
Minimum process flange 2½" x 150#
- ø75 Membrane: Maximum up to 40 kg/cm²; Minimum -1~0 kg/cm²
Minimum process flange 3" x 150#

Option: Upper pressure available, according to flange rating on request

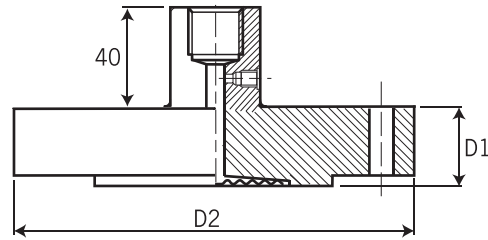
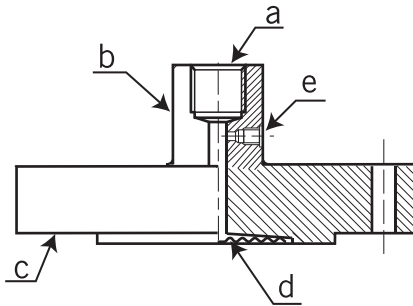


Approvals:



Dimensions

Item	Description of Parts
a	Instrument connection
b	Upper housing
c	Lower housing
d	Membrane
e	Filling port



D1: Dimension to suit standard flange thickness.
D2: Dimension to suit standard flange outside size.
*as JIS, ANSI, DIN, etc.

Ordering Information

DT127	Code	Instrument Connection (Female)
		(A) ¼"BSP (B) ¼"NPT (C) ⅜"BSP (D) ⅜"NPT (E) ½"BSP (F) ½"NPT
		Code Membrane size
		(A) ø36 (B) ø45 (C) ø55 (D)ø75
		Code Process connection rating
		(1) 1" (2) 1½" (3) 2" (4) 2½" (5) 3" (6) Option
		Code Flange rating
		(1) 150# (2) 300# (3) PN16 (4) PN25 (5) JIS 10K (6) JIS 20K (7) Option
		Code Upper housing material
		(S) SS316(standard) (O) Option
		Code Lower housing material
		(S) SS316 (O) Option
		Code Membrane material
		(1) SS316L (2) Hastelloy C276 (3) Tantalum (4) Option

DT127									
-------	--	--	--	--	--	--	--	--	--

Complete ordering code