

# FLANGE TYPE DIAPHRAGM SEAL

## DT128

DT-128 diaphragm seal is designed to be used in highly viscous process media such as pulp, paper, waste water treatment and plastics and chemical process industries. It is easy to assemble with pressure gauges, pressure switches, and pressure instruments.

### Technical Data

- Instrument connection:** female thread 1/4" to 1/2" BSP or NPT
- Process connection:** 2" to 4" flange, JIS, ANSI, DIN, available
- Temperature limited:** -40~+150°C cooling element or capillary line up to 350°C
- Pressure range limited:** measurement range

Size	2"	3"	4"
MINIMUM LIMITED (kg/cm <sup>2</sup> )	-1~+1.5	-760mmHg~0 -1~1.5	0~0.6
MAXIMUM LIMITED (kg/cm <sup>2</sup> )	Up to 250kg/cm <sup>2</sup> available, according to flange rating		

**Material:** body-SS316(standard), others on request  
**Membrane:** SS316L(standard)  
 Option: Hastelloy C276, tantalum and others on request

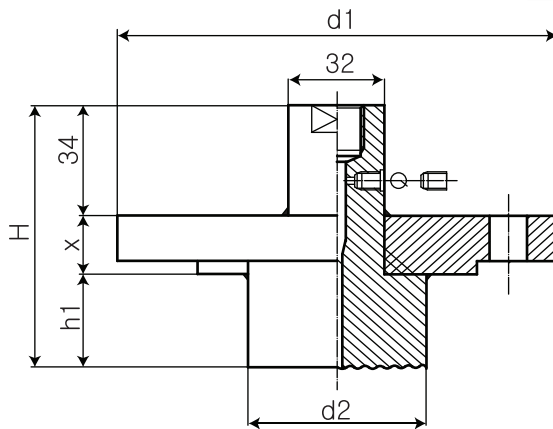


Approvals:

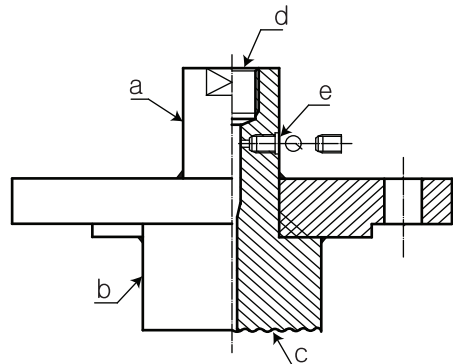


### Dimensions

Item	Description of Parts
a	Upper housing
b	Extension housing
c	Membrane
d	Instrument connection
e	Filling port



unit=mm



\* d1, H, x, h1 dimensional size upon request specification.

**NOTE**  
 Performance Technical Data are effective with date of issue and are subject to change without prior notice.

### Ordering Information

DT128	Code	Instrument Connection (Female)
		(A) 1/4"BSP (B) 1/4"NPT (C) 3/8"BSP (D) 3/8"NPT (E) 1/2"BSP (F) 1/2"NPT
	<b>Code</b>	<b>Process connection</b>
		(1) 2" (2) 3" (3) 4" (4) Option
	<b>Code</b>	<b>Flange rating</b>
		(1) 150# (2) 300# (3) PN16 (4) PN25 (5) JIS 10K (6) JIS 20K (7) Option
	<b>Code</b>	<b>Housing material</b>
		(S) SS316(standard) (H) Hastelloy C276
	<b>Code</b>	<b>Membrane Material</b>
		(1) SS316L (2) Hastelloy C276 (3) Tantalum (4) Option
DT128		Complete ordering code