

PLASTIC THREAD TYPE DIAPHRAGM SEAL

DT132

Application

DT132 diaphragm seal is made with material including PVC and PVDF to provide to against the acid fluid for application in customers device. It is easy to assemble with pressure gauges, pressure switches and pressure transducers.

Technical Data

- Instrument:** Female thread 1/4" to 1/2" BSP or NPT
- Process connection:** 1/4" to 1/2" BSP or NPT
- Measurement range:** 0~2.5 to 10 bar for Dial ϕ 2" or ϕ 63mm used
0~4 to 10 bar for Dial: ϕ 4" or ϕ 4 1/2" used
- Max. temperature:** 40°C
- Body material:** PVC and PVDF available
- Membrane material:** EPDM with PTFE foil

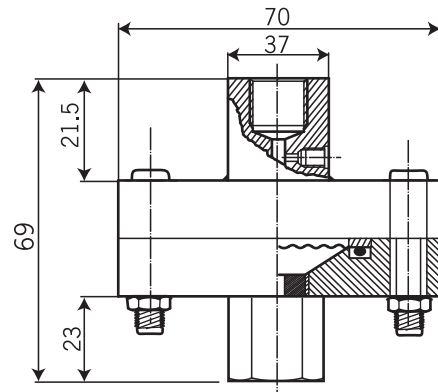
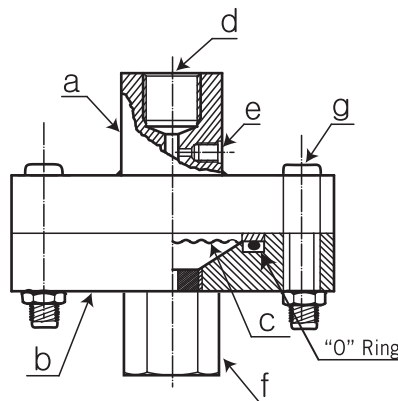


Approvals:



Dimensions

Item	Description of Parts
a	Upper housing
b	Lower housing
c	Membrane
d	Instrument connection
e	Filling port
f	Process connection
g	Bolt



NOTE
Performance Technical Data are effective with date of issue and are subject to change without prior notice.

Ordering Information

DT132	Code	Instrument Connection (Female)	
		(A) 1/4" BSP (B) 1/4" NPT (C) 1/2" BSP (D) 1/2" NPT	
		Code	Process Connection (Female)
			(A) 1/4" NPT (B) 1/4" BSP (C) 1/2" NPT (D) 1/2" BSP
		Code	Body Housing Material
		1	PVC
		2	PVDF
		Code	Membrane Material
		1	EPDM+PTFE foil
DT132			
Complete Ordring Code			