

DT134

FLOW THRU TYPE DIAPHRAGM SEAL DT134

DT134 in line diaphragm seal is designed to be used in highly viscous process media such as pulp, paper, waste treatment, and plastic/chemical process industries. DT134 is easy to assemble with pressure gauges, pressure switches, and pressure instruments.



Approvals:



Technical Data

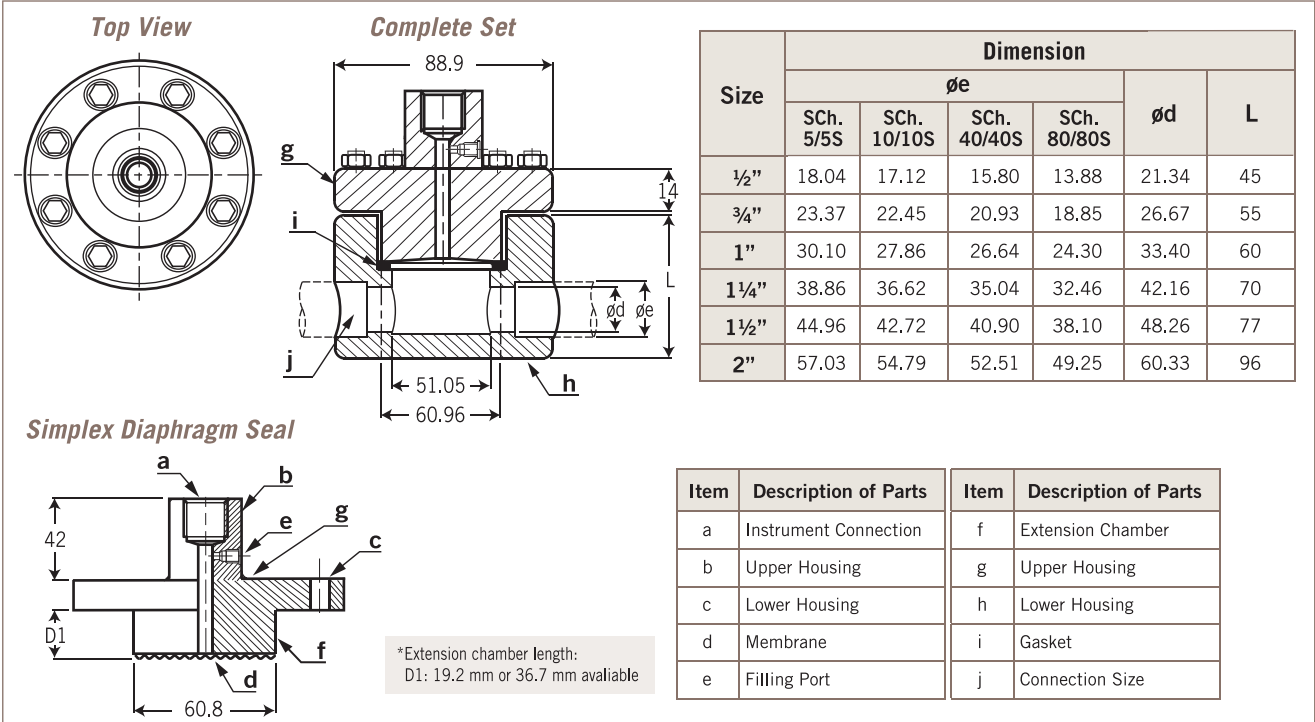
Instrument Connection: female thread ¼" to ½" NPT or BSP; option available

Process Connection: ½" to 2" NPT or BSP female; option available

Temperature Limited: -40~+150°C cooling element or capillary line up to 350°C

Pressure Limited: Maximum up to 100 kg/cm²; Minimum 0~6 kg/cm² (for pressure gauge); Less Pressure for pressure transmitter available

Dimensions-mm



Ordering Information

DT134	Code	Instrument Connection (Female) (A) ¼"BSP (B) ¼"NPT (C) ⅜"BSP (D) ⅜"NPT (E) ½"BSP (F) ½"NPT (O) option
	Code	Diaphragm Seal Style (A) Simplex Diaphragm Seal (B) Complete Set
	Code	Process Connection (for Complete Set only) (1) ½"NPT (2) ¾"NPT (3) 1"NPT (4) 1¼"NPT (5) 1½"NPT (6) 2"NPT (7) ½"BSP (8) ¾"BSP (9) 1"BSP (10) 1¼"BSP (11) 1½"BSP (12) 2"BSP (O) option (N) No need simplex diaphragm seal
	Code	Pipe Schedule (1) Sch. 5/5S (2) Sch. 10/10S (3) Sch. 40/40S (4) Sch. 80/80S (5) Without
	Code	Extension Chamber Length (for Simplex Diaphragm Seal only) (A) 19.2mm (B) 36.7mm (O) option (N) No need complete set
	Code	Upper Housing Material (part g) (S) SS316 (O) option
	Code	Lower Housing Material (part h) (S) SS316 (O) option (N) No need simplex diaphragm seal
	Code	Membrane Material (1) SS316L (2) Hastelloy C276 (3) Tantalum (4) option
DT134		Complete ordering code

WWW.NEW-FLOW.COM • TEL: 886-7-8135500 • FAX: 886-7-8225588 • Email: info@new-flow.com