

LAP JOINT FLANGE WITH WETTED FACE DIAPHRAGM SEAL DT140

DT140 flange type with sealing face diaphragm seal is especially designed for applications at aggressive, contaminated or hot media. And, the membrane is flush welded to the rise face of flange. DT140 is easy to assemble with pressure gauges, pressure switches, and pressure instruments.

Technical Data

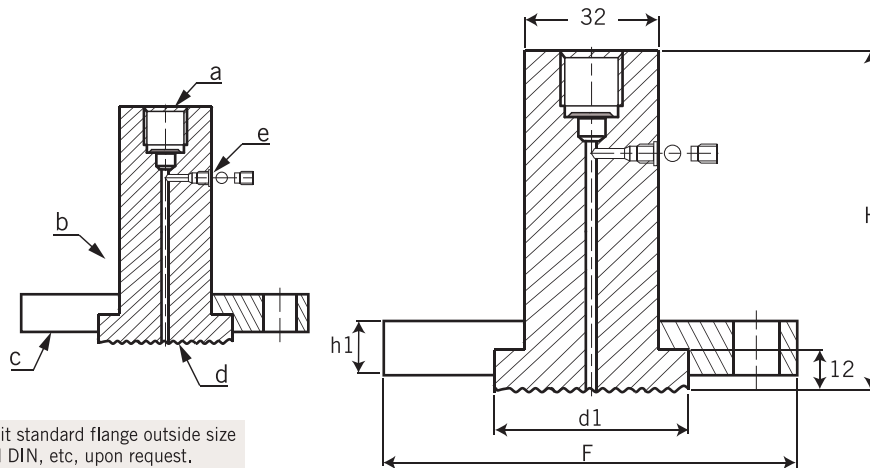
Instrument connection: female thread 1/4" to 1/2" NPT or BSP
Process connection: 1" to 3" Lap Joint Flange; and option: welded flange type available. (please consult with manufacturer.)
Flange Rating: JIS, ANSI, DIN rating available
Temperature Limited: -40~+150°C cooling element or capillary line up to 350°C
Pressure Range & Flange Size Limited:

Size	Flange Rating	Pressure Range
1"	150# ~ 600#	maximum up to 40 kg/cm ² minimum 0~6 kg/cm ²
1½"	150# ~ 600#	maximum up to 40 kg/cm ² minimum 0~2.5 kg/cm ²
2"	150# ~ 600#	maximum up to 40 kg/cm ² minimum 0~1 kg/cm ²
3"	150# ~ 600#	maximum up to 40 kg/cm ² minimum -1~0 kg/cm ²

Option: Upper pressure available, according to flange rating on request

Dimensions-mm

Item	Description of Parts
a	Instrument Connection
b	Upper Housing
c	Lower Housing Flange
d	Membrane (wetted face)
e	Filling Port



unit=mm

Size	H	d1
1"	66	54
1½"	71	74
2"	74	92
3"	80	127

* F & h1: Dimensions to suit standard flange outside size as JIS, ANSI and DIN, etc, upon request.

Ordering Information

DT140	Code	Instrument Connection (Female)
		(A) 1/4" BSP (B) 1/4" NPT (C) 3/8" BSP (D) 3/8" NPT (E) 1/2" BSP (F) 1/2" NPT
		Code Process Connection Size
		(1) 1" (2) 1½" (3) 2" (4) 3"
		Code Flange Rating
		(1) 150# (2) 300# (3) 600#
		Code Upper Housing Material
		(S) SS316 (standard) (O) option
		Code Lower Housing Flange Material
		(S) SS316 (O) option
		Code Wetted Parts Material
		(1) Hastelloy C276 (2) Tantalum
DT140		
Complete Ordering Code		



Approvals:

