

# FIELD MOUNTED DIGITAL DISPLAY

**D-1000-G – GENERAL TYPE**    **D-1000-F – FLOW TYPE**

**Explosion Proof**  
**CLASS I, GROUPS A, B, C & D,**  
**CLASS II, GROUPS E, F & G, NEMA 4X**

## Technical Data

- Enclosure Housing:** Aluminum or SS316
- LCD Display:** General type: 5 digital (-9999~69999)  
 Flow type: Totalizer 10 digital (top); Flow rate 8 digital (bottom)
- Input:** Linear 4 to 20mA
- Loop Resistance:** 500Ω
- Accuracy:** Analog (4~20mA), Linear: Zero manual adjustable ±0.25% of span
- Ambient Temperature:** -20 to +85°C
- Power Supply:** 12 to 35VDC
- Process Connection:** ½" or ¾" NPT female; others option available
- Conduit Connection:** ½" or ¾" NPT female, or M20 x P1.5 (with adaptor);  
 others option available
- Unit:** **Flow type**– Flow unit: Kg, GAL, Nℓ, Nm<sup>3</sup>, cc, ℓ, M<sup>3</sup>;  
**General type**– Time unit: Day, Hr, Min, Sec;  
**General type**– Others unit: mA, A, mV, V, PH, °F, °C, psig, Pa, Kpa, Mpa, mbar, bar, mmHg, mmWC, Torr, %, M, cm...available



**D-1000-G**  
**(General Type)**

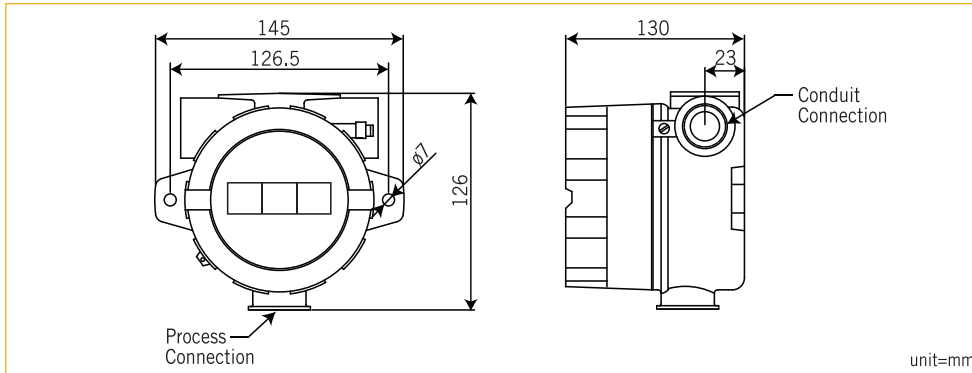


**D-1000-F**  
**(Flow Type)**

**Approvals:**



## Dimensions

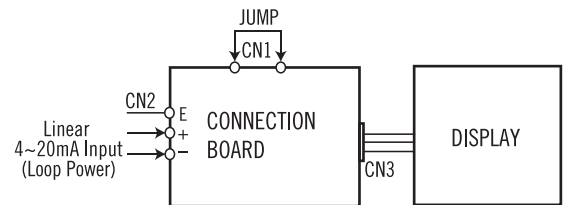


## Ordering Information

D-1000	Code	Type		
	G	General Type	F	Flow Type
		<b>Code</b>	<b>Enclosed Housing</b>	
	A	Aluminum	S	SS316
		<b>Code</b>	<b>Wire Drawing</b>	
	A	Loop Power	B	Exciting Power
		<b>Code</b>	<b>Process Connection</b>	
			(1) ½"NPT(F) (2) ¾"NPT(F) (3) option	
		<b>Code</b>	<b>Conduit Connection</b>	
			(1) ½"NPT(F) (2) ¾"NPT(F)	
			(3) M20xP1.5 (4) option	
		<b>Code</b>	<b>Function</b>	
		1	Meter only	
		2	Meter + Totalizer (for flow type)	
		<b>Code</b>	<b>Blue Back-Lighted</b>	
		D	with	
		N	without	
D-1000				

## Wire Drawing

### A. Loop Power



### B. Exciting Power

