

EXPLOSION PROOF TYPE CABLE GLAND EGG SERIES

Explosion Proof: Ex d IIC U / Ex tD A21 U
Weather Proof: IP68

Technical Data

Connection Size: 1/2" ~ 1 1/2"

Connection Size Rating: M, NPT available

Material: Body: SS316;

O-Ring: C.R. (Chloroprene Rubber);

Packing: C.R. (Chloroprene Rubber)

Cable Enter Construct Type:

Type A: General Type (For cable entering only);

Type B: Coupling Type (For conduit connection)

Working Pressure Limit: 5 Bar

Min. Temperature: -20°C for C.R. (Chloroprene Rubber)

Approvals:



TD0400TJ

工電(2015)第00004號

工電(2015)第00005號

工電(2015)第00006號

工電(2015)第00007號

工電(2015)第00008號

工電(2014)第00221號

工電(2014)第00241號

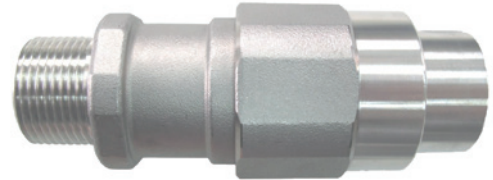
工電(2014)第00242號

工電(2014)第00250號

工電(2014)第00257號



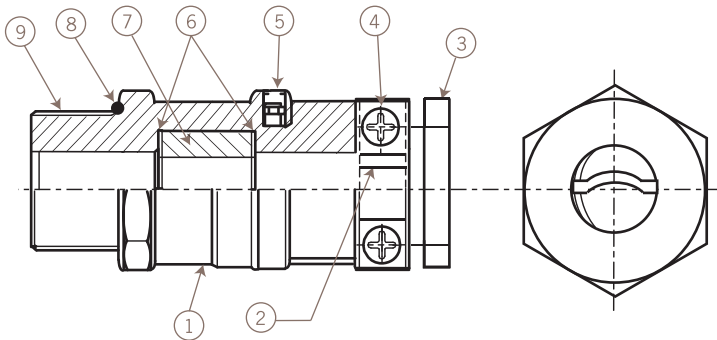
Type A:
General Type
(for cable entering only)



Type B:
Coupling Type
(for conduit connection)

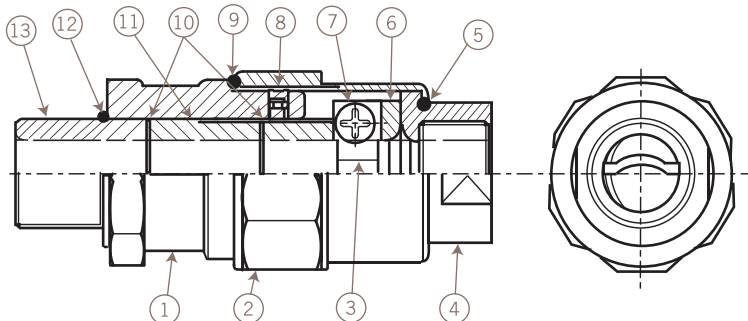
Parts List

Type A: General Type



Item	Parts Name	Material
1	Body	SS316
2	Cramp	SS316
3	Gland	SS316
4	Bolt	SS304
5	Set Bolt	SS304
6	Washer	SS316
7	Packing	C.R. (Chloroprene Rubber)
8	O-Ring	C.R. NPT Thread no need
9	Thread	SS316

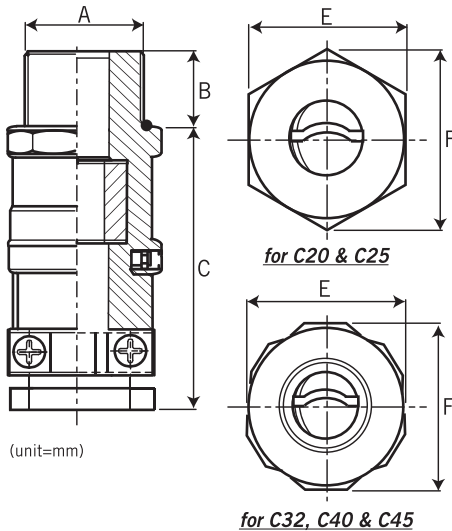
Type B: Coupling Type



Item	Parts Name	Material
1	Body	SS316
2	Cover	SS316
3	Cramp	SS316
4	Coupling	SS316
5	O-Ring	C.R. (Chloroprene Rubber)
6	Gland	SS316
7	Bolt	SS304
8	Set Bolt	SS304
9	O-Ring	C.R. (Chloroprene Rubber)
10	Washer	SS316
11	Packing	C.R. (Chloroprene Rubber)
12	O-Ring	C.R. NPT Thread no need
13	Thread	SS316

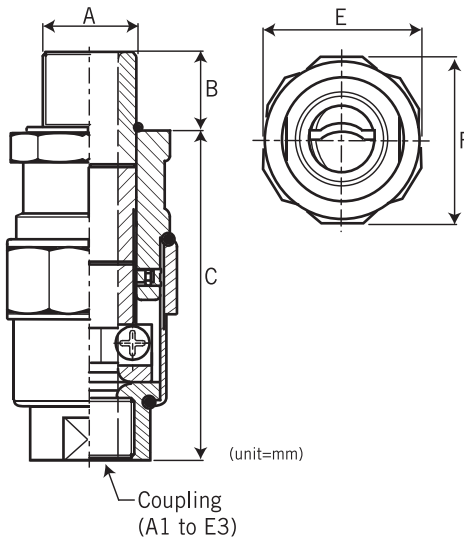
Dimensions & Connection Size Table

Type A: General, for cable entering only



Body Type	Cable O.D	Packing I.D	A (Thread Male)		B	C	E	F
			M	NPT				
C20	6~8	8	M20 P=1.5	½"NPT P=1,814	19	66	23	26
	8~10	10						
	10~12	12						
C25	10~12	12	M25 P=1.5	¾"NPT P=1,814	19	66	29	32
	12~14	14						
	14~16	16						
C32	16~18	18	M32 P=1.5	1"NPT P=2,309	24	66	39	40
	18~20	20						
	20~22	22						
C40	22~24	24	M40 P=1.5	1¼"NPT P=2,309	24	67	49	50
	24~26	26						
	26~28	28						
C45	28~30	30	M45 P=1.5	1½"NPT P=2,309	24	69	58	60
	30~32	32						
	32~34	34						

Type B: Coupling, for conduit connection



Body Type	Cable O.D	Packing I.D	A (Thread Male)		Coupling (Female)		B	C	E	F
			M	NPT						
C20	6~8	8	M20 P=1.5	½"NPT P=1,814	A1	G½"	19	87	34	37
	8~10	10			A2	½"NPT				
	10~12	12			A3	½"PT				
C25	10~12	12	M25 P=1.5	¾"NPT P=1,814	B1	G¾"	19	87	40	42
	12~14	14			B2	¾"NPT				
	14~16	16			B3	¾"PT				
C32	16~18	18	M32 P=1.5	1"NPT P=2,309	C1	G1"	24	91	50	53
	18~20	20			C2	1"NPT				
	20~22	22			C3	1"PT				
C40	22~24	24	M40 P=1.5	1¼"NPT P=2,309	D1	G1¼"	24	92	60	63
	24~26	26			D2	1¼"NPT				
	26~28	28			D3	1¼"PT				
C45	28~30	30	M45 P=1.5	1½"NPT P=2,309	E1	G1½"	24	94	70	73
	30~32	32			E2	1½"NPT				
	32~34	34			E3	1½"PT				

Ordering Information

ECG	Code	Cable Enter Construct Type								
	A	General Type (for cable entering only)	B Coupling Type (for conduit connection)							
	Code	Body Type								
		C20	C25	C32	C40	C45				
	Code	Thread Connection Size (Male)								
	M20	M20 x P1.5	M25	M25 x P1.5	M32	M32 x P1.5	M40	M40 x P1.5	M45	M45 x P1.5
	½"	½"NPT	¾"	¾"NPT	1"	1"NPT	1¼"	1¼"NPT	1½"	1½"NPT
	Code	Packing I.D								
		Please refer to the "Packing I.D" column of connection size table, and fill out the specification in the code as request.								
	Code	Packing Material								
	C	CR (chloroprene rubber)								
	Code	Coupling Connection Size (Female) *only for B coupling type selection*								
	A1	G½"	B1	G¾"	C1	G1"	D1	G1¼"	E1	G1½"
	A2	½"NPT	B2	¾"NPT	C2	1"NPT	D2	1¼"NPT	E2	1½"NPT
	A3	½"PT	B3	¾"PT	C3	1"PT	D3	1¼"PT	E3	1½"PT
	O	for A General Type								
ECG										
Complete Ordering Code										

Ordering code example:

ECG-B-C45-1½"-34-C-E1

- ECG= Model
- B = Coupling Type (for conduit connection)
- C45 = Body Type
- 1½"= 1½"NPT, male
- 34 = Packing I.D ø34mm
- E1 = G1½"

NOTE.

Please notice that the Male Thread Connection is against the Body Type. etc.: M25 or ¾"NPT = C25 body type.