

DISPLACER LEVEL SWITCH 200 Two Stage Series

EDW200 – Weather Proof Type

EDX200 – Explosion Proof Type

The NEW-FLOW Displacer Level Switches are made to fit wide range applications such as pump control, waste water level and deep open tank. They are designed for high corrosive resistance and long service life. 200-Series are one stage control and easy to install.

Technical Data

Easy Installation

Wetted Parts Material: SS316, SS304 available

Housing Material: EDX- Aluminum alloy or SS316 ;
EDW- SS316 or C.S with painting

The Suitable S.G.: ≥0.6

Enclosure Housing: EDX- Explosion Proof: please check the ordering information
EDW- Weather Proof: IP65

Micro Switch Rating (SPDT & 2DPDT Type): 5A/125VAC, 5A/250VAC, 2A/30VDC

Max. Temperature: 250°C

Float Size: ø60mm x 150mm Length; Other size available upon request

Patent No.

M279006

Approvals:



TD0400TJ
工電(2016)第00211號
工電(2016)第00383號



Switches with UL & CSA
Recognized and File No.
E41515.

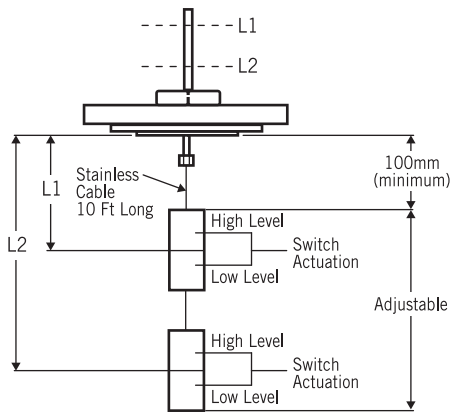


EDX200

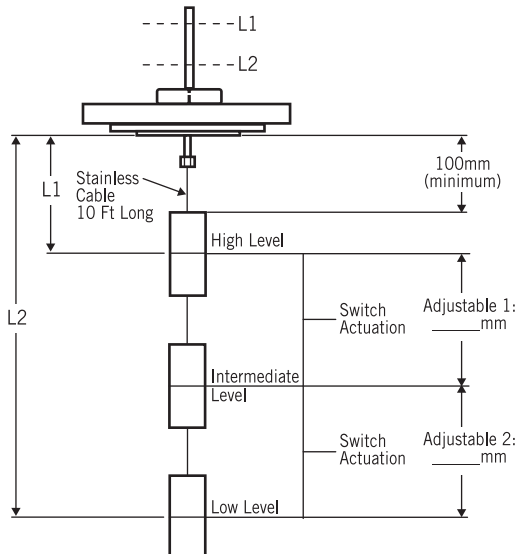
EDW200

Control

Narrow Differential Model: 200



Wide Differential Model: 201

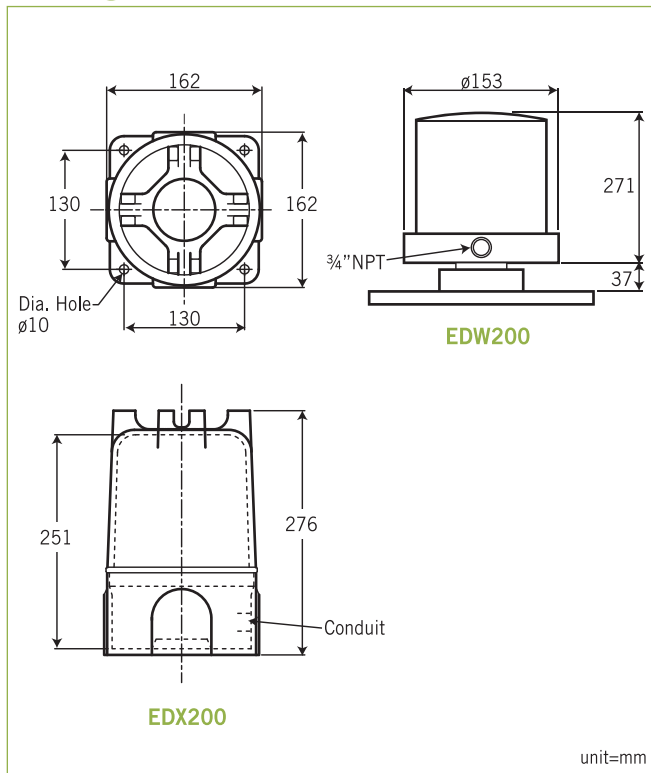


NOTE:
Adjustable 1, 2:
Please fill in the request length.

Switch Function

Dry Contact Micro-Switch	1 SPDT X 2	
Option (Hermetically Switch)		
Dry Contact Micro-Switch	(2DPDT) 2 SPDT X 2	
Option (Hermetically Switch)		

Housing Dimensions



Ordering Information

EDW / EDX	Code	Model
	200	Narrow Differential
	201	Wide Differential
	Code	Housing Material
	A	Aluminum alloy
	B	SS316
	C	C.S with Painting (only for EDW, Weather Proof type)
	Code	Process Connection Size
	(1)	2½" (2) 3" (3) 4" (4) 5" (5) Option
	Code	Process Connection Rating
	(A)	JIS 10K (B) JIS 20K (C) ANSI 150# (D) ANSI 300# (E) PN16 (F) PN40 (G) Option
	Code	Conduit Size
	1	¾"NPT(F) 2 ½"NPT(F) 3 Option
	Code	Switch Function
	A	Dry Contact Microswitch
	B	Option (Hermetically Switch)
	C	Dry Contact Microswitch
	D	Option (Hermetically Switch)
	Code	Float Material
	(1)	SS316 (2) SS304
	Code	Wetted Parts Material
	(A)	SS316 (B) SS304
	Code	Sp. Gr.
	(A)	1.0 (B) 0.99~0.9 (C) 0.89~0.8 (D) 0.79~0.7 (E) 0.69~0.6
	Code	Setting Point
		Please fill in the requested length: L1= _____ L2= _____
	Code	Explosion Proof Type / Housing Material
	N	For Weather Proof Type, EDW
	A	(Certificate on Housing Only) / Aluminum alloy EEx d IIC-T6, II 2 GD
	B	(Taiwan Explosion Proof Certification) / Aluminum alloy Ex d IIB + H2 T6 Gb
	B1	(Taiwan Explosion Proof Certification) / SS316 Ex d IIB + H2 T6 Gb
	Code	Micro Switch Rating
		5A / 250VAC
		5A / 125VAC
		2A / 30VDC
		L1= _____ L2= _____
		Complete Ordering Code

WWW.NEW-FLOW.COM • TEL: 886-7-8135500 • FAX: 886-7-8225588 • Email: info@new-flow.com