

DISPLACER LEVEL SWITCH 300 Three Stage Series

EDW300 – Weather Proof Type

EDX300 – Explosion Proof Type

The NEW-FLOW Displacer Level Switches are made to fit wide range applications such as pump control, waste water level and deep open tank. They are designed for high corrosive resistance and long service life. 300-Series are one stage control and easy to install.

Technical Data

Easy Installation

Wetted Parts Material: SS316, SS304 available

Housing Material: EDX- Aluminum alloy; EDW- SS316 or C.S with painting

The Suitable S.G.: ≥ 0.6

Enclosure Housing: EDW-Weather Proof: IP65;

EDX-Explosion Proof: please check the ordering information

Micro Switch Rating (SPDT & 3DPDT Type): 5A/125VAC, 5A/250VAC, 2A/30VDC

Max. Temperature: 250°C

Float Size: $\phi 60$ mm x 150mm length; other size available upon request

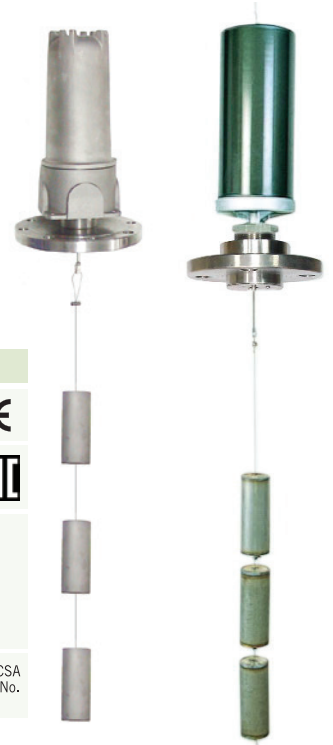
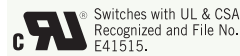
Patent No.

M279006

Approvals:



TD0400TJ
工電(2016)第00384號



EDX300

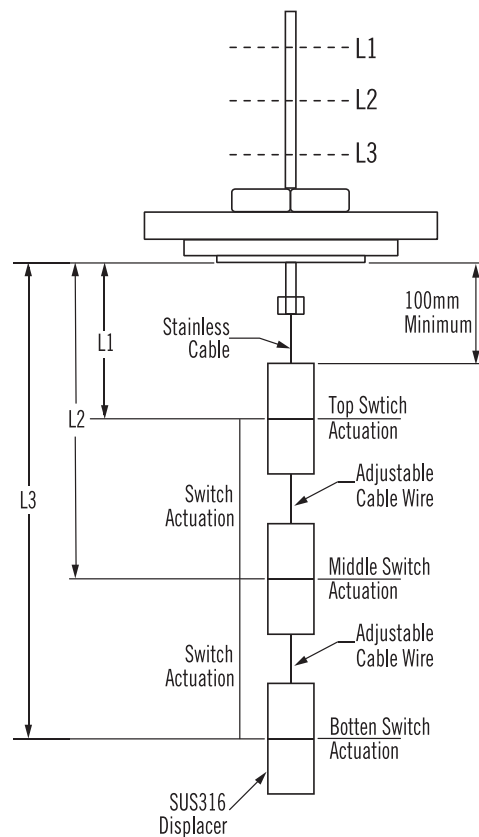
EDW300

Switch Function

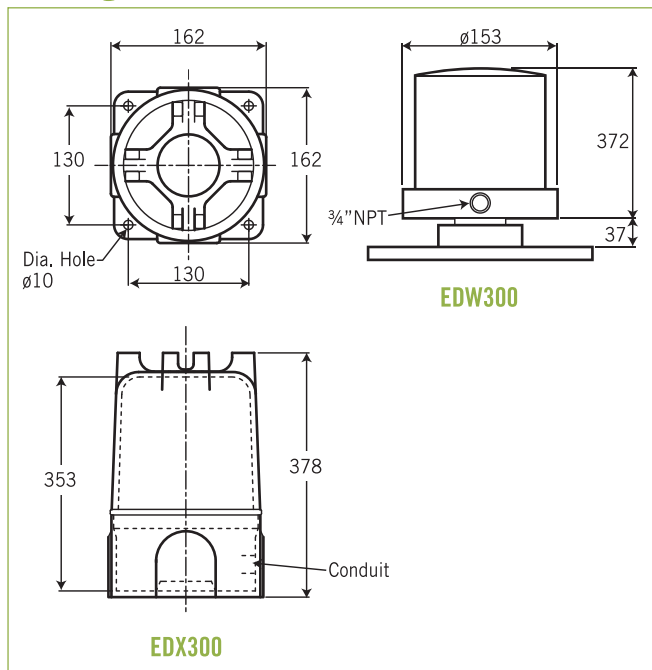
Dry Contact-Micro Switch	1SPDT X 3	
Dry Contact-Micro Switch	(3DPDT) 2SPDT X 3	

Control

Narrow Differential Model: 300



Housing Dimensions



Ordering Information

EDW / EDX	Code	Model
	300	Narrow Differential
		Code Housing Material
	A	Aluminum alloy
	B	SS316
	C	C.S with Painting (only for EDW, Weather Proof type)
		Code Process Connection Size
		(1) 2½" (2) 3" (3) 4" (4) 5" (5) Option
		Code Process Connection Rating
		(A) JIS 10K (B) JIS 20K (C) ANSI 150# (D) ANSI 300# (E) PN16 (F) PN40 (G) Option
		Code Conduit Size
	1	¾"NPT(F)
	2	½"NPT(F)
	3	Option
		Code Switch Function
	A	Dry Contact Microswitch
	B	Option (Hermetically Switch)
	C	Dry Contact Microswitch
	D	Option (Hermetically Switch)
		1SPDT x 3
		2SPDT x 3
		Code Float Material
		(1) SS316 (2) SS304
		Code Wetted Parts Material
		(A) SS316 (B) SS304
		Code Sp. Gr.
		(A) 1.0 (B) 0.99~0.9 (C) 0.89~0.8 (D) 0.79~0.7 (E) 0.69~0.6
		Code Setting Point
		Please fill in the requested length: L1= ___ L2= ___ L3= ___
		Code Explosion Proof Type / Housing Material
	N	For Weather Proof Type, EDW
	A	(Certificate on Housing Only) / Aluminum alloy EEx d IIC-T6, II 2 GD
	B	(Taiwan Explosion Proof Certification) / Aluminum alloy Ex d IIB + H2 T6 Gb
	B1	(Taiwan Explosion Proof Certification) / SS316 Ex d IIB + H2 T6 Gb
		Code Micro Switch Rating
		5A / 250VAC
		5A / 125VAC
		2A / 30VDC
		L1=
		L2=
		L3=
		Complete Ordering Code