


DISPLACER LEVEL INDICATOR

EDW900 – Weather Proof Type


EDX900 – Explosion Proof Type


The NEW-FLOW Displacer Level Indicator are made to fit wide range applications such as pump control, waste water level and deep open tank. They are designed for high corrosive resistance and long service life. 900-Series are switch setting available and provide output signals 4~20mA.


Technical Data

- Case Material:** Aluminum alloy case with paint; SS316 available
- Body & Wetted Parts Material:** SS316/SS316L, Indication via magnetic coupling (no sealed)
- Scales Calibrated:** in % or height
- Range of Measurement:** 300mm to 5M available; option on request
- Connection Types:** Flange type, Trip Clamp & Sanitary; Thread type (others on request)
- Connection Size:** 1½"~5"
- Process Connection Rating:** Thread type: NPT, BSP; Flange type: ANSI, DIN, JIS available
- Max. Working Temperature:** -50°C to +150°C (300°C option)
- Max. Working Pressure:** up to 100Bar; option on request
- Protection Class:** IP66 or Explosion Proof, Class I, Groups B, C & D; Class II, Groups E, F & G; NEMA 4, 7, 9
- Accuracy:** ±2% F.S (±1.6% F.S option)
- Conduit Connection:** Female ½"NPT, ½"BSP, ¾"NPT, ¾"BSP; option on request
- Alarm Switch:** Micro switch, Inductive switch, Reed switch available
- LCD Display:**
 - Totalizer 10 Digital (Top) / Flow rate 8 Digital (Bottom)
 - Analog Output Available: 4~20mA (2-wires)
 - Power Supply: 24VDC
- *HART® Communication: available
- Two Wires Transmitter with HART® Protocol** 
 - Galvanic Isolation
 - Suitable for application in SIL2 installations

Approvals:

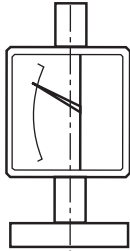
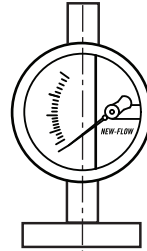
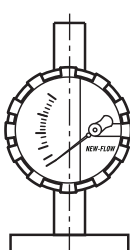
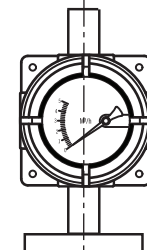




 Switches with UL & CSA Recognized and File No. E41515.

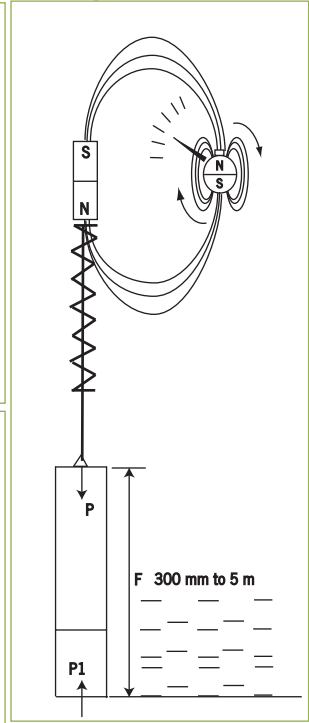


Housing Type

<p>IP66 Case Type: (A-1) Rectangle Bolt Right Type Housing Material: Aluminum alloy case with paint</p> 	<p>IP66 Case Type: (B-1) Round Bayonet Ring Type (only for indicating) Housing Material: SS316</p> 
<p>IP66 Case Type: (A-2) Round Screw Tight Type Housing Material: Aluminum alloy Case Type: (B-2) Round Screw Tight Type Housing Material: SS316</p> 	<p>Explosion Proof Housing Material: Aluminum alloy Protection Class: Class I, Groups B, C & D; Class II, Groups E, F & G; NEMA 4, 7, 9</p> 

Mounting Length: 250mm standard
 Connection size bigger than 3", mounting length is 300mm.

Principle

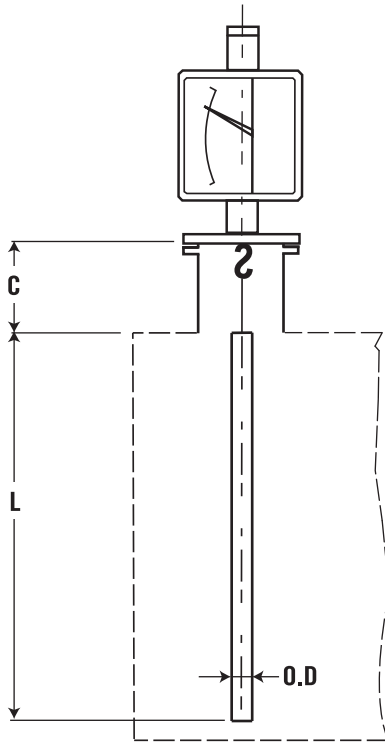


WWW.NEW-FLOW.COM • TEL: 866-7-8135500 • FAX: 866-7-8225588 • Email: info@new-flow.com

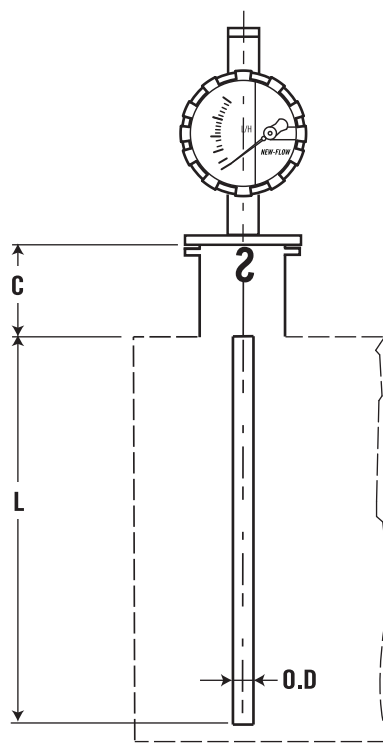


Dimension-mm

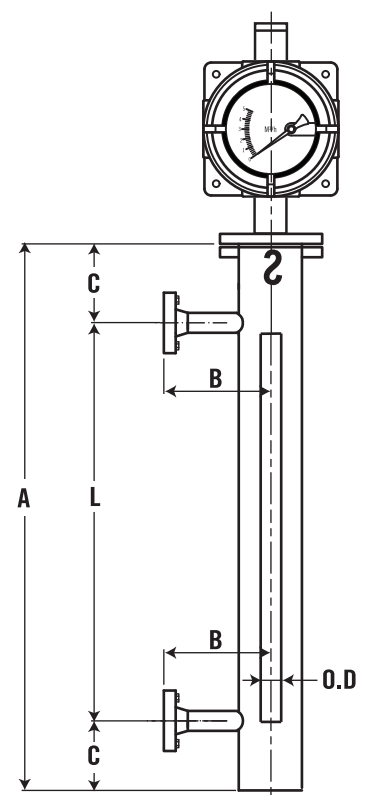
Rectangle Bolt Tight Housing



Round Screw Tight Housing



Explosion Proof Housing

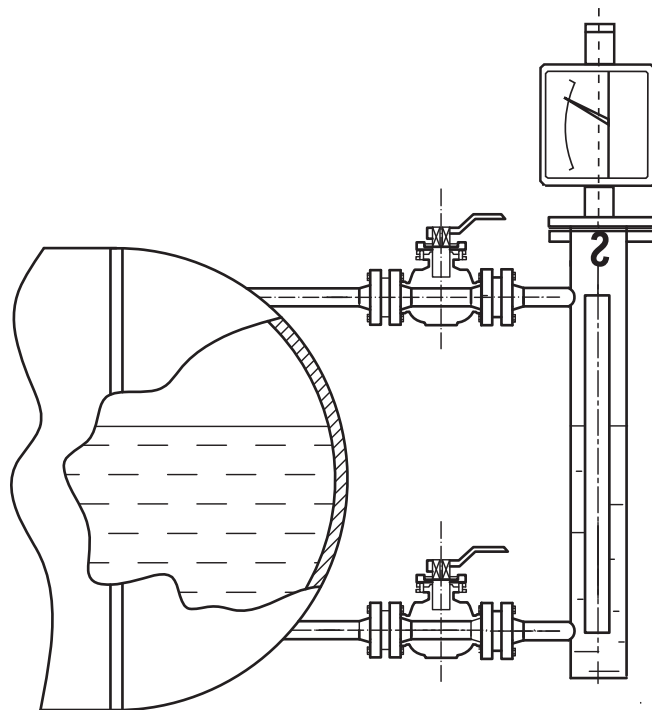
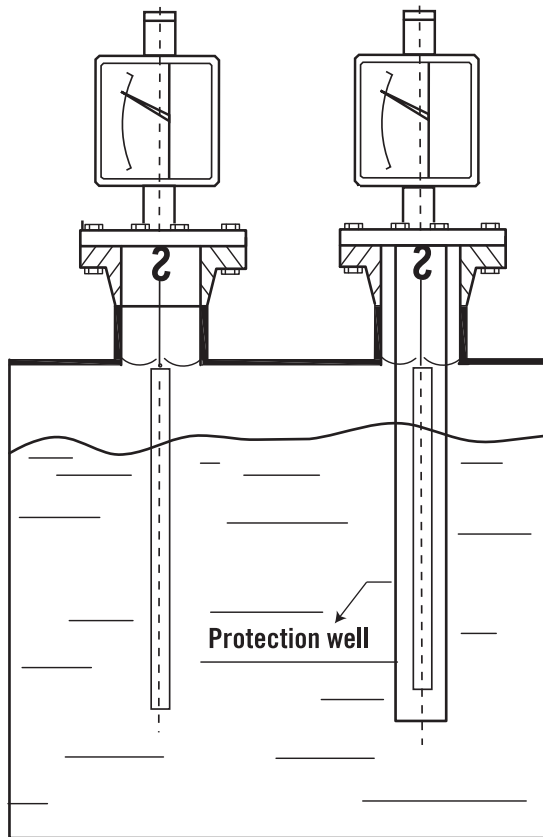


Installation Type

(1) Direct Insertion Type

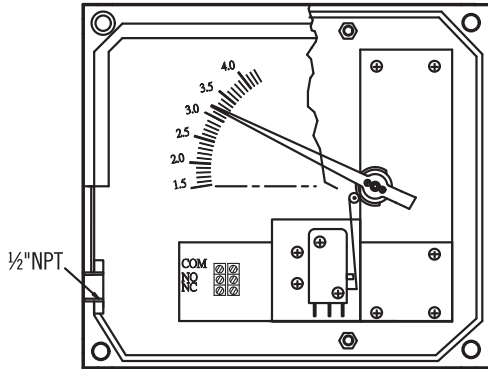
(2) Well Protection Type

(3) With Chamber Type (Side Mounting)



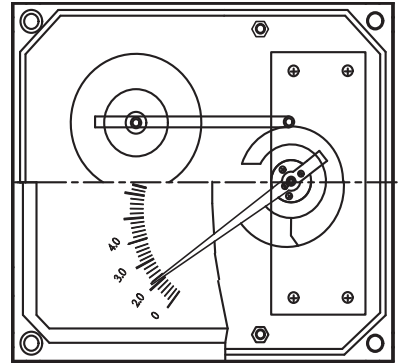
Alarm / Analog output

GS-M (Micro Switch)



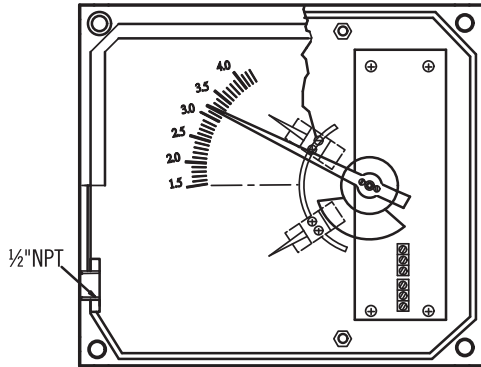
Adjustable Micro Switch, Series EDW/EDX900/GS-M
 1 adjustable alarm contact
 Load: 5A/125VAC, 5A/250VAC, 2A/30VDC
 Temperature: -25°C ~ +100°C (AMB)
 Hysteresis: ±10% F.S (Dead Band)

GT (Analog Output)



Electric Transmitter EDW/EDX900/GT
 Analog output available: 4~20 mA (2 wire)
No Alarm Switch Available
 Power Supplier: 24Vdc
 Temperature: +25°C ~ +100°C (AMB)

GS-C (Inductive Switch)



Ajustable inductive alarm switch
 Hysteresis: ±1% F.S (Dead Band)
 Inductive sensors slotted type:
 3.5mm slot switch
 DC. voltage 2 wire's to DIN19234 (NAMUR) for use in hazardous areas.

- Power supply: 8 Vdc (Ri.approx. 1kΩ)
- Current consumption: Active face uncoved 3mA
 Active face coved 1mA
- Ambient temp: -25°C ~ +100°C

Isolated barriers output relay for inductive sensor:

- Rail mounting
- Control circuit EEx ia IIC
- EMC acc to NAMUR NE21
- Contact loading 250VAC 2A SPDT 40VDC 2A

1 adjustable alarm

Contact setting point should be within 10% to 100% of F.S

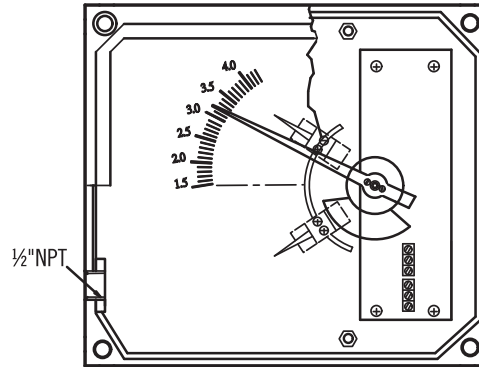
- For 24VDC: KFD2-SR2-Ex1.W
- 115VAC: KFA5-SR2-Ex1.W
- 230VAC: KFA6-SR2-Ex1.W

2 adjustable alarm

The second setting point should be a gap 65% from first setting point.

- For 24VDC: KFD2-SR2-Ex2.W
- 115VAC: KFA5-SR2-Ex2.W
- 230VAC: KFA6-SR2-Ex2.W

GS-R (Reed Switch)



Alarm Switch:
 one or two setting points, form A bistable type (N.O. type)

Hysteresis:
 ±10% F.S (Dead Band)

Switch Rating:
 AC 125V 0.5A / DC 100V 10W / Max. DC 250V < 40 mA

1 adjustable alarm

Contact setting point should be within 10% to 100% of F.S.

2 adjustable alarm

The second setting point should be a gap 40% from first setting point.

