

INTEGRAL ELECTRODE LEVEL CONTROLLER

ELT200/RL SERIES



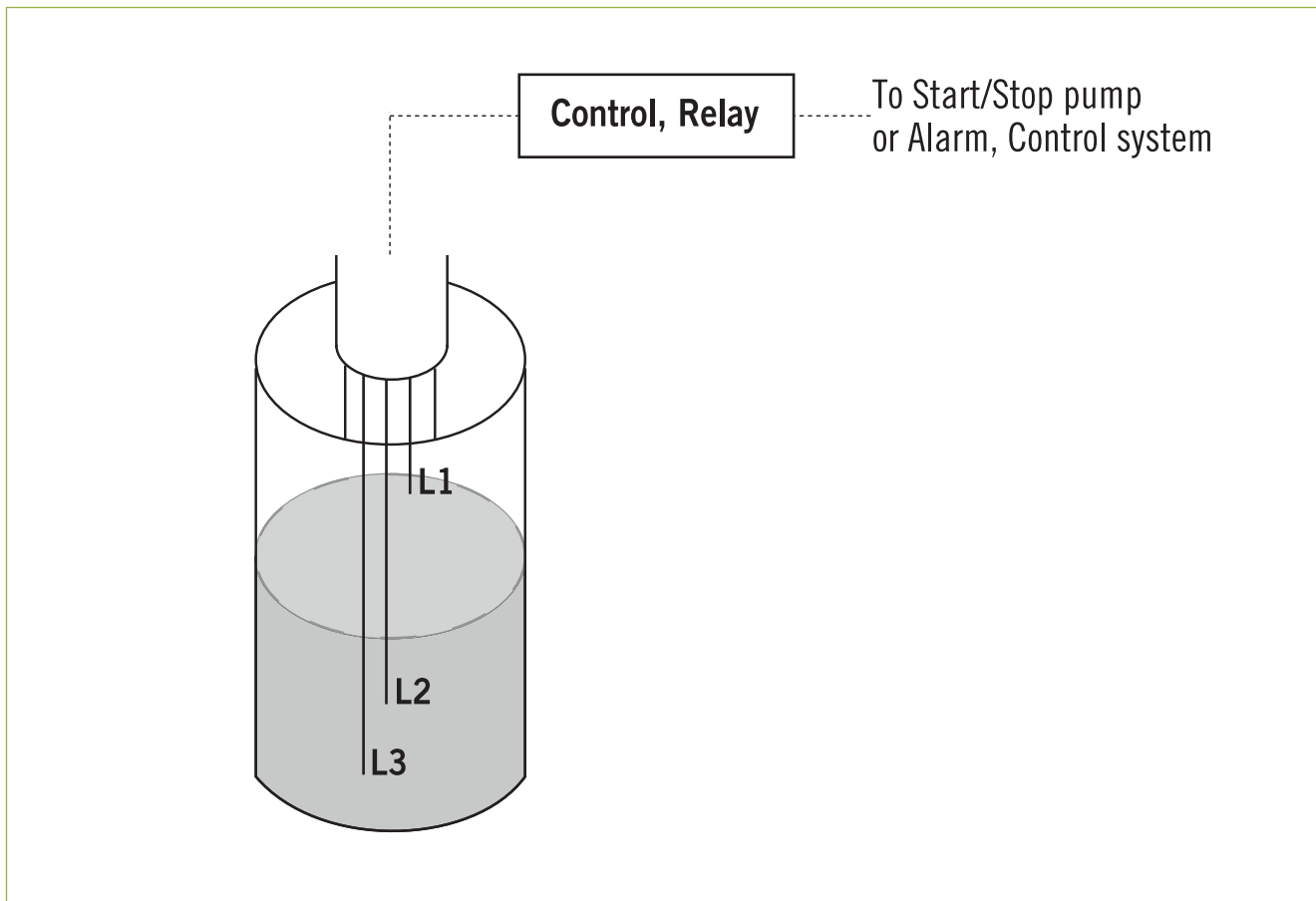
Proof Housing: Weather Proof Type
No Moving Parts
Easy Installation

ELT200/RL Series is applicable for level measurement in conductive liquids. The conductivity of the insulated material can be varied if the probe is covered or not covered within the conductive product. There are two option of electrodes: one is used as a metal wall of the tank or probe "P5" be reference as "COMMON", and the other electrodes are inserted into the tank for different liquids level detection.

Technical Data

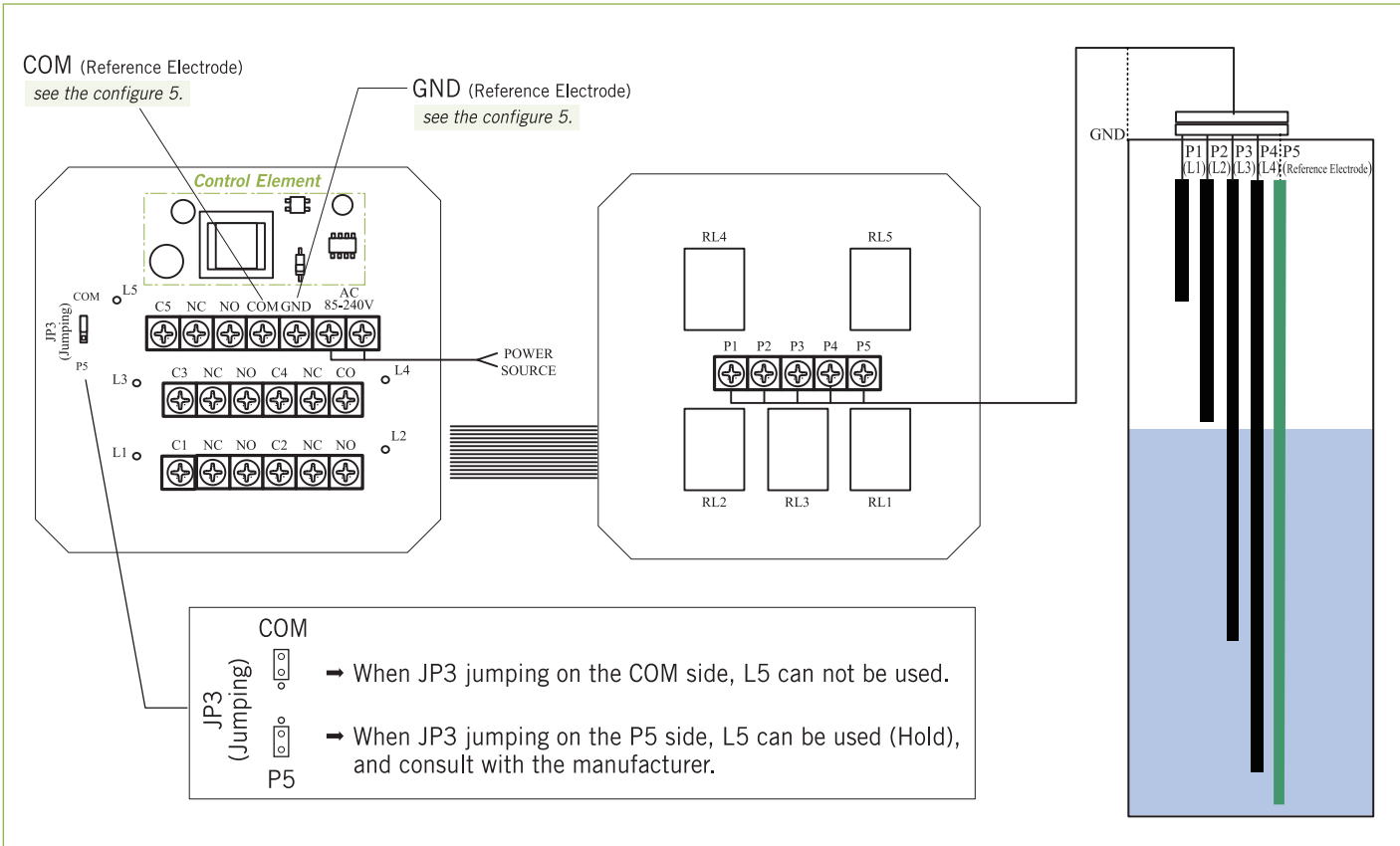
- Housing Material:** ABS+20% Glass Fiber
- Enclosure Housing Protection:** IP65
- Probe Insulation Material:** CPVC or PP+20% Glass Fiber available
- Rod Probe:** SS316 standard, Hastelloy C-276, and option available
- Holder Material:** SS316 standard, Hastelloy C, and option available
- Working Temperature Limit:** 0°C ~ +80°C
- Working Pressure Limit:** 10 kg/cm²; other request please consult with the manufacturer
- Process Thread Connection:** Male thraed 1½" BSP
- Conduit Connection:** Female thread ¾" BSP
- Flange Connection:** 1½"~3", or consult with the manufacturer
- Isolated Resistance:** >100MΩ up to 4000MΩ; DC500V on request

Measurement Method



Level Controller: RL Series

Contact Rating (SPDT)	250V AC, 6A
Power Supply	110 or 220V AC±10%, 50/60Hz
Ambient Temperature	-10°C ~ +60°C
Material	---
Dimensions (mm)	---



5 Configures as Follows

1. One Level:

Connect the probes to 「P1 (L1) and P5 (L5)」 .
 The longer one is on “P5- Reference Electrode”, another is “P1”.
 The shorting jumper will be jumping on the side of “COM” (JP3 or PCB No. 2074).

2. Two Levels:

Connect the probes to 「P1 (L1), P2 (L2) and P5 (L5)」 .
 The longest one is on “P5- Reference Electrode”, the others are “P1” and “P2”.
 The shorting jumper will be jumping on the side of “COM” (JP3 of PCB No. 2074).

3. Three Levels:

Connect the probes to 「P1 (L1), P2 (L2), P3 (L3) and P5 (L5)」 .
 The longest one is on “P5- Reference Electrode”, the others are “P1”, “P2” and “P3”.
 The shorting jumper will be jumping on the side of “COM” (JP3 of PCB No. 2074).

4. Four Levels:

Connect the probes to 「P1 (L1), P2 (L2), P3 (L3), P4 (L4) and P5 (L5)」 .
 The longest one is on “P5- Reference Electrode”, the others are “P1”, “P2”, “P3” and “P4”.
 The shorting jumper will be jumping on the side of “COM” (JP3 of PCB No. 2074).

5. Reference Electrode:

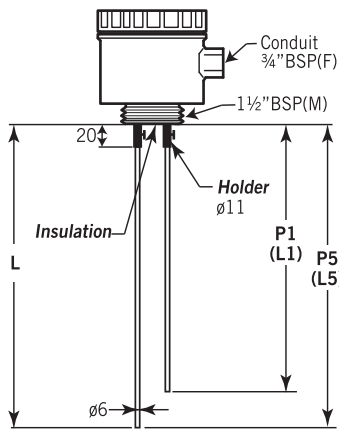
When JP3 jumping on the COM side, connect the probes to 「P1 (L1), P2 (L2), P3 (L3), P4 (L4) and P5 (reference)」 .
 When JP3 jumping on the P5 side, connect the probes to 「P1 (L1), P2 (L2), P3 (L3), P4 (L4), P5 (L5) and GND (reference)」 .

NOTICE:

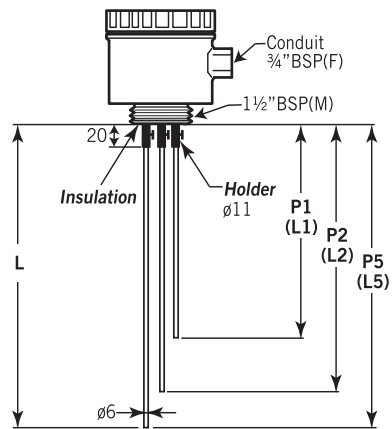
1. The connection of “P1, P2, P3, P4, P5” is the connector “CN1” on PCB No. 2073.
2. The shorting pin connection is “JP3” on PCB No. 2074.
3. The LED (L1, L2, L3, L4, L5) will be light on as per the liquid level reached to the each sensor probe.
4. The LED “L5” will be off on the above configure 1~5 as “JP3 jumping on the COM side”.

Dimensions

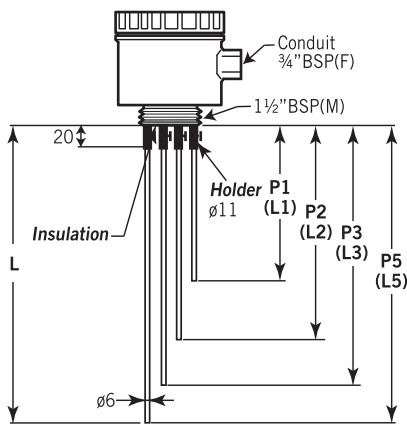
ELT-201 (Thread)



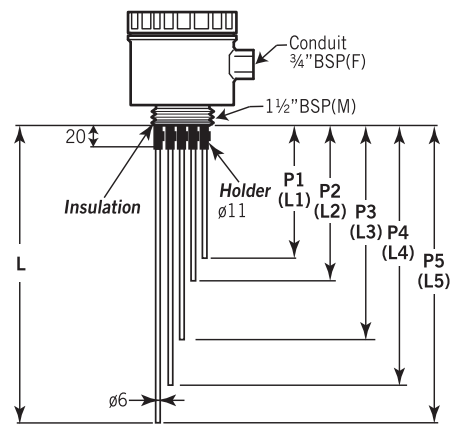
ELT-202 (Thread)



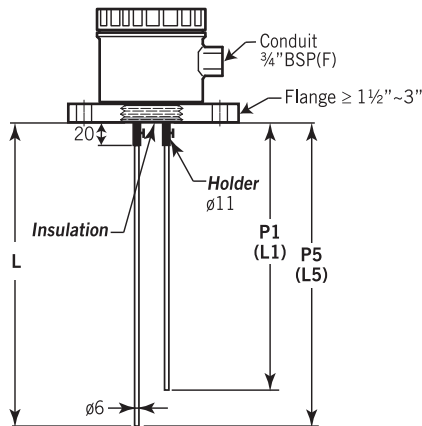
ELT-203 (Thread)



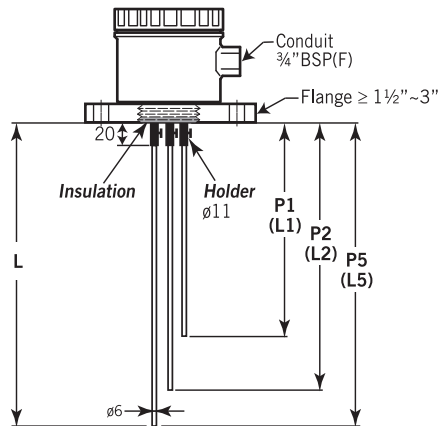
ELT-204 (Thread)



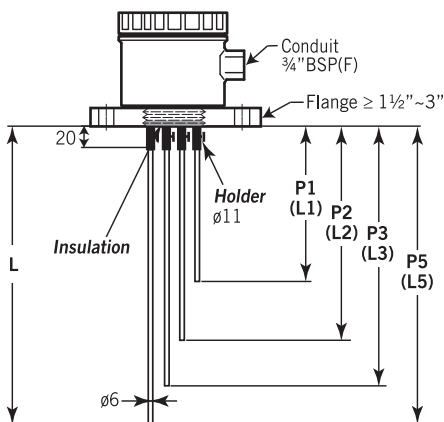
ELT-201 (Flange)



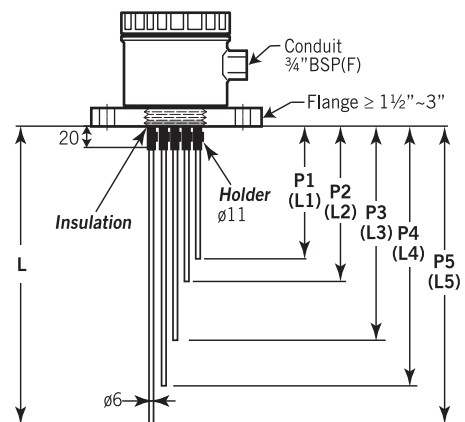
ELT-202 (Flange)



ELT-203 (Flange)



ELT-204 (Flange)



Ordering Information

Model	ELT201	ELT202	ELT203	ELT204
Code	Housing Material			
1	ABS+20% Glass Fiber			
Code	Rod Probe Size			
	(1) ø6mm (O) option (N) Without probe (But, including Insulation & Holder)			
Code	Rod Probe Material			
	(S) SS316 (Hc) Hastelloy C-276 (O) Option			
Code	Holder Material			
	(S) SS316 (Hc) Hastelloy C-276 (O) Option			
Code	Probe Insulation Material			
	(1) CPVC (2) PP+20% Glass Fiber			
Code	Conduit Connection Size			
1	¾" BSP(F)			
Code	Process Connection Size			
T	Thread (1) 1½" BSP(M)			
F	Flange (2) 1½" (3) 2" (4) 2½" (5) 3" (6) option			
Code	Flange Rating			
N	without flange (thread type)			
10	JIS 10K			
15	ANSI 150#			
O	Other: _____			
Code	Flange Material			
N	without flange (thread type)			
1	SS304			
2	SS316			
3	PVC			
O	Other: _____			
Code	Circuit Board Power Supply			
A	110/220 VAC			
B	24 VDC			
Code	Probe Insertion Length			
	Please fill in the requested length as follows: L1= _____ mm L2= _____ mm L3= _____ mm L4= _____ mm L5 (Length of Reference Electrode) = _____ mm			

WWW.NEW-FLOW.COM • TEL: 866-7-8135500 • FAX: 866-7-8225588 • Email: info@new-flow.com

NEW