

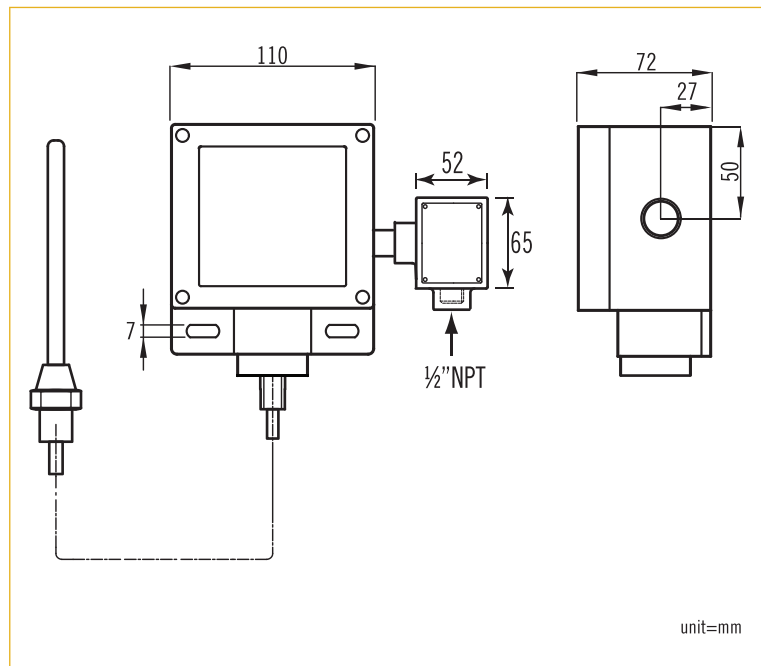
TEMPERATURE SWITCH WEATHER PROOF TYPE ETS3000W SERIES

NEMA 4, 4X, IP66
Temperature: -200 ~ +650°C

Technical Data

Type	Liquid Filled Type	Gas Filled Type
Temperature Range	-70~+400°C	-200~650°C
Remote capillary length	20M max.	30M max.
Electric contact	1~2 contacts	
Microswitch type S.P.D.T.	Nominal operating voltage: 250 VAC max. Current: 5A max.	
Alternatively switch data	Nominal operating voltage: 28 VDC max. Current: 5A max.(ohmic load); 3A max. (inductive load) Contact material: Pure silver 999.9 Ambient temperature: -20°C ~ +60°C	
Weather proof class	NEMA 4, 4X, IP66	
Material of case & cover	Aluminum alloy die-casting	
Switch acting differential	±1.6~3% of F.S.	
Contact adjusting method	Internal adjusting method	
Conduit connection	½" or ¾" NPT(F)	
Process connection	½" or ¾" NPT Male	
Sensor material	wetted parts are all in SS316	

Dimensions



ETS3000W-C
(Capillary Type)

Patent No.

M337067

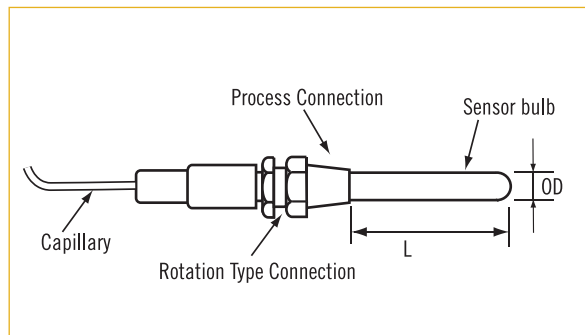
Approvals:



Switches with
UL & CSA
Recognized
and File No.
E12252.

ETS3000W-B
(Bottom Connection Type)

Minimum Inserting Length of Sensor Bulb



Range Selection Table Effective Bulb Insertion Length

Liquid Filled Type	
Code	Adjustable Range (°C)
L1	-70~+50
L2	-50~+50
L3	-30~+50
L4	-30~+100
L5	-10~+50
L6	-10~+100
L7	0~50
L8	0~60
L9	0~80
L10	0~100
L11	0~120
L12	0~150
L13	0~200
L14	0~250
L15	0~300
L16	0~400

Liquid Filled Type					
Range °C	Outside Dimension "d"	ø6	ø8	ø10	ø12
	1	-70~+50	100	70	40
2	-50~+50	120	80	50	30
3	-30~+50	150	100	60	40
4	-30~+100	100	70	40	30
5	-10~+50	190	130	70	50
6	-10~+100	110	80	50	30
7	0~50	230	150	80	60
8	0~60	190	130	70	50
9	0~80	150	100	60	40
10	0~100	120	80	50	30
11	0~120	100	70	40	30
12	0~150	80	60	40	30
13	0~200	70	50	30	20
14	0~250	60	40	30	20
15	0~300	50	40	30	20
16	0~400	40	30	20	20

Gas Filled Type					
Capillary Length	Outside Dimension "d"	ø6	ø8	ø10	ø12
	1	0~10 M	250	170	140
2	11~30 M	250	170	140	90

Gas Filled Type	
Code	Adjustable Range (°C)
G4	-200~+200
G5	-100~+300
G9	-50~+400
G10	-50~+500
G11	-50~+600
G17	0~400
G18	0~500
G19	0~650

Ordering Information

Model	Type
ETS3000W-B	Bottom Connection type
ETS3000W-C	Capillary type
Code	Measuring Range
(G4) -200~+200°C (G5) -100~+300°C (G9) -50~+400°C (G10) -50~+500°C (G11) -50~+600°C (G17) 0~400°C (G18) 0~500°C (G19) 0~650°C	
(L1) -70~+50°C (L2) -50~+50°C (L3) -30~+50°C (L4) -30~+100°C (L5) -10~+50°C (L6) -10~+100°C (L7) 0~50°C (L8) 0~60°C (L9) 0~80°C (L10) 0~100°C (L11) 0~120°C (L12) 0~150°C (L13) 0~200°C (L14) 0~250°C (L15) 0~300°C (L16) 0~400°C	
Code	Capillary Length (M)
	Please fill in the requested length. 0 only for ETS3000W-B
Code	Process Connection
	(A) ½" NPT Male (B) ¾" NPT Male (O) option
Code	Stem Outside Dimensions
	(1) ø6mm (2) ø8mm (3) ø10mm (4) ø12mm (5) option
Code	Stem Length (mm)
	Please refer to bulb length table. Fill in the requested length.
Code	Micro Switch
1	One setting point SPDT x 1
2	Two setting point SPDT x 2
Code	Conduit Size
	(A) ½"NPT(F) (B) ¾"NPT(F) (C) option
Code	Micro Switch Rating
	5A / 250VAC
	5A / 28VDC
	3A / 28VDC

OPTION.

1. Special range available upon request.
2. Special scale available upon request.
3. Special stem diameter and length available upon request.