

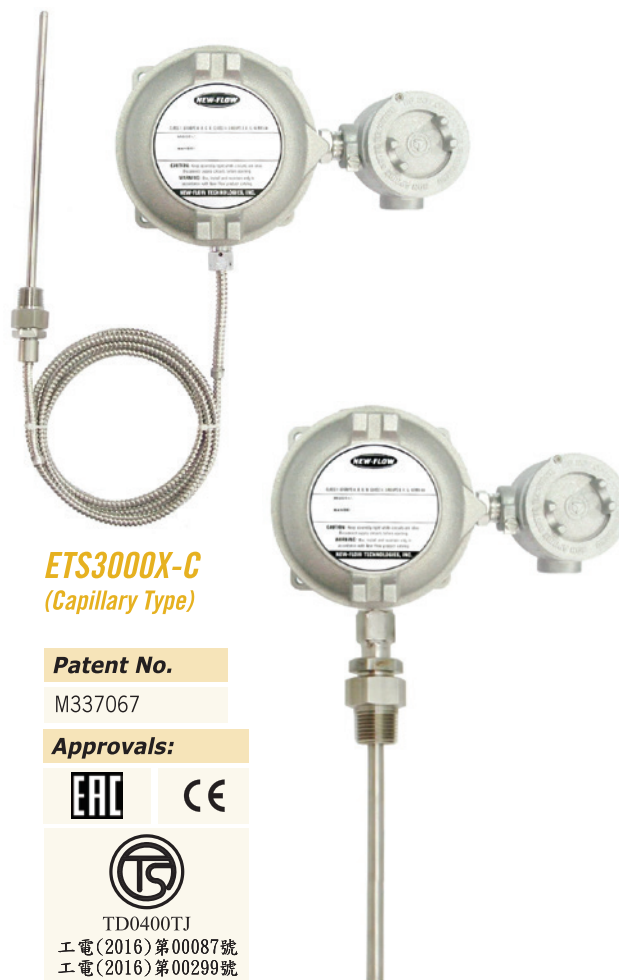
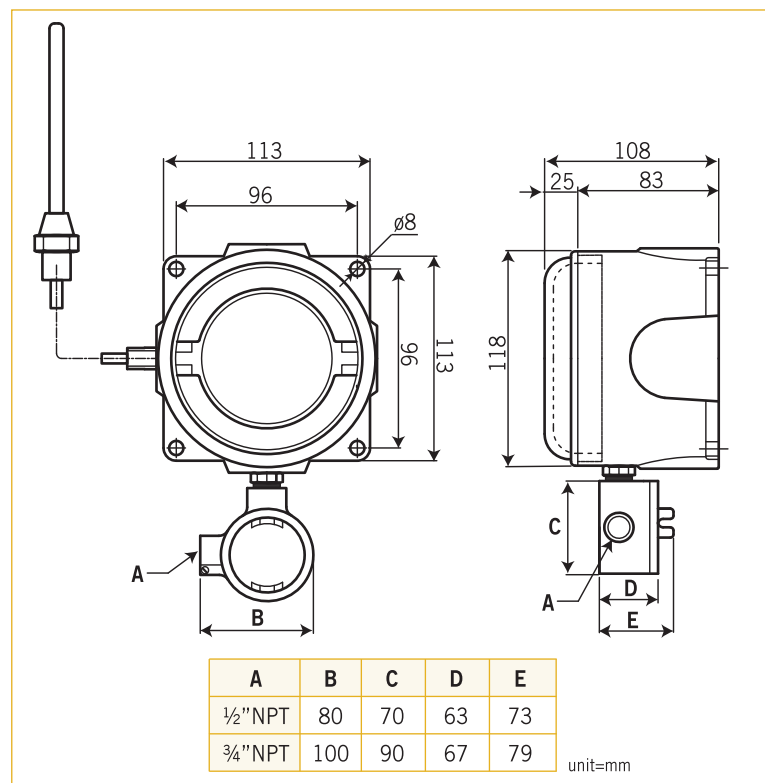
TEMPERATURE SWITCH EXPLOSION PROOF TYPE ETS3000X SERIES

CLASS I, GROUPS B, C & D
CLASS II, GROUPS E, F & G; NEMA 4X
Temperature: -200 ~ +650°C

Technical Data

Type	Liquid Filled Type	Gas Filled Type
Temperature Range	-70~+400°C	-200~650°C
Remote capillary length	20M max.	30M max.
Electric contact	1~2 contacts	
Microswitch type S.P.D.T.	Nominal operating voltage: 250 VAC max. Current: 5A max.	
Alternatively switch data	Nominal operating voltage: 28 VDC max. Current: 5A max.(ohmic load); 3A max. (inductive load) Contact material: Pure silver 999.9 Ambient temperature: -20°C ~ +60°C	
Explosion proof class	Class I, Groups B, C & D; Class II, Groups E, F & G; NEMA 4X	
Material of case & cover	Aluminum alloy die-casting	
Switch acting differential	±1.6~3% of F.S.	
Contact adjusting method	Internal adjusting method	
Conduit connection	½" or ¾" NPT(F)	
Process connection	½" or ¾" NPT Male	
Sensor material	wetted parts are all in SS316	

Dimensions



ETS3000X-C
(Capillary Type)

Patent No.

M337067

Approvals:



TD0400TJ
工電(2016)第00087號
工電(2016)第00299號



Switches with UL
& CSA Recognized
and File No.
E12252.

ETS3000X-B
(Bottom Connection Type)

Minimum Inserting Length of Sensor Bulb

