

MASS FLOW METERS EXPLOSION PROOF TYPE ETSF SERIES – WITH LCD DISPLAY

±2% Accuracy
Linear Output
Thermal Technology
For Using In Non Corrosive Gas
For Flow Rates up to 100 SLM
Power Supply Included

The NEW-FLOW ETSF Series-Explosion proof type thermal mass flow meter provide high performance. Thermal technology offers advantages in accuracy, sensitivity and turn quality components and the latest technology are combined to provide reliable, compact meters and controllers. The ETSF Series comes with and LCD diplay, and all models come with linear 0-5VDC and 4~20mA output. The ETSF Series measures the mass flow rate of gases in 23 ranges from 0-10 SCCM to 0-100 SLM as range table.

Technical Data

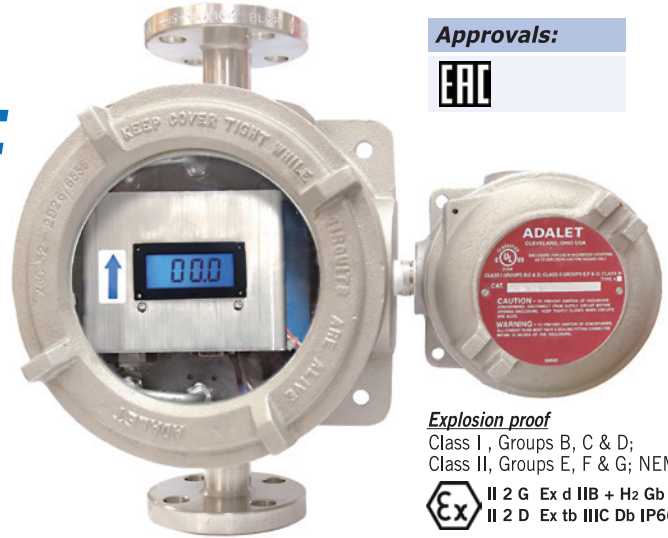
Wetted Parts Material: Standard flowbody– 316 Stainless steel; option available. O-Ring: Viton or FFKM available
Output Signal: 0-5 VDC Linear min. load 1000Ω or 4-20mA Linear, loop resistance 500Ω
Input Power: 24 VDC Standard, optional power supply 15 VDC 115VAC, 220 VAC @500mA
Accuracy: ±2% F.S (including Linearity)
Turn Down Ratio: 100:1
Repeatability: ±0.15% F.S or better
Electric Connection: 9 Pin Sub "D"
Process Connection: 1" NPT female; Flange type available
Range: 0-10 SCCM to 0-100 SLM
Minimum Pressure: 100" H2O
Max Pressure: 500 PSIG
Temperature Range: 0~50°C
Response Time: 1 Second
Temp. Coefficient: 0.05% full scale per 1°C or better
Pressure Coefficient: 0.01% full scale per PSIG or better
Weight: app. to 6.5 kg with power supply

Range Table

Code	SCCM	Code	SLM	Code	SLM
00	0-10	06	0-1	14	0-35
01	0-20	07	0-2	15	0-40
02	0-50	08	0-5	16	0-45
03	0-100	09	0-10	17	0-50
04	0-200	10	0-15	18	0-55
05	0-500	11	0-20	19	0-60
		12	0-25	20	0-65
		13	0-30	21	0-70
				22	0-75
				23	0-100
				24	*Custom Flow Rate

NOTE.

*Please notice that the max. flow rate is 100 SLM.



Approvals:



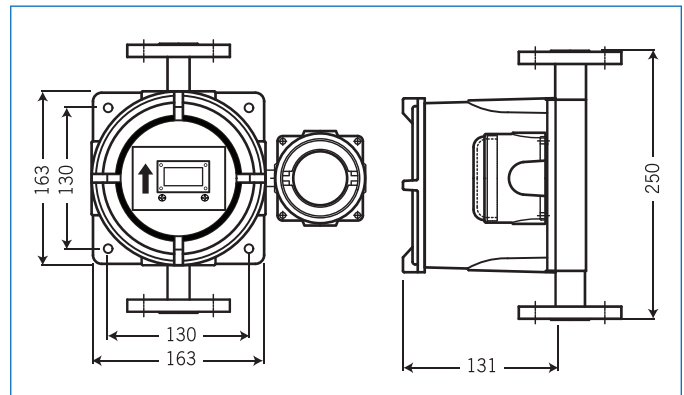
Explosion proof

Class I , Groups B, C & D;
Class II, Groups E, F & G; NEMA 4, 7, 9

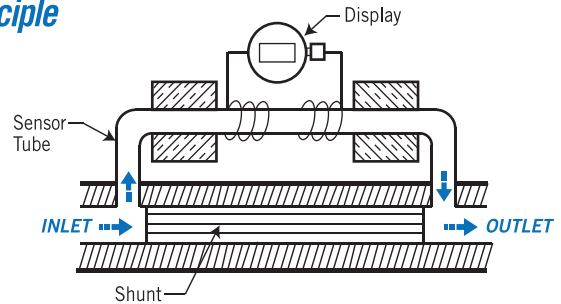


II 2 G Ex d IIB + Hz Gb
II 2 D Ex tb IIIC Db IP66

Dimensions—mm



Principle



Ordering Information

ETSF	Code	Flow Range
	00~23	Please refer to the measure range table.
	24	*Custom range (please directly fill in the requested range)
	Code	Wetted Parts Material
		(A) SS316 (Viton o-ring) (B) SS316 (FFKM o-ring) (O) option
	Code	Process Connection
	1	1" NPT(F) 0 Option (Flange type available)
	Code	Display
	W	With display
	B	With display + Blue back-lighted
	O	Without display
	Code	Output Signal
		(1) 0~5VDC (2) 4~20mA
	Code	Input Power
		(1) 24VDC (2) 15VDC
	Code	Power Supply for 24VDC
	(1)	with
	(2)	without