

FLOW SWITCH FS30R

FS30RB—BRASS
FS30RS—STAINLESS STEEL

Easy Installation
Wide Range Pipe Size Selections

Technical Data

Protection Class: IP65
 Process Connection: 1" NPT male
 Material: Housing: Plastic (Other wetted part: brass or stainless steel)
 Application: Liquid
 Installation: Easily mounted directly in a pipe
 Pipe Size Range: 25~200 (1"~8"), large size is available
 Microswitch: SPDT, 15A 125, 250V 480 VAC, ½A 125 VDC, ¼A 250 VDC
 Conduit Connection: PG11, other thread available with adaptor
 Temperature Limit: -30~+120°C
 Pressure Limit: 15 kg/cm²— stainless steel ; 10 kg/cm²— brass

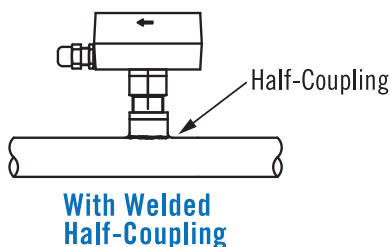
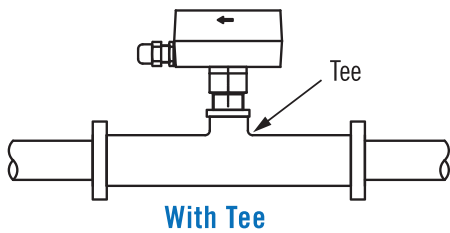
Option Function (Extra Cost):

LED Alarm Light: Red color (Bilateral side conduit connection available)
 Power Supply for LED Alarm Light: AC 110V, AC 220V; option available

Flow Rate Table (For Acuate & Deactuate)

Flow Rates Required to Actuate, Deactuate Litter per Minute (L/M) Water at 25°C				
Pipe Size	Actuate (on)		Deactuate (OFF)	
	FS-30RB	FS-30RS	FS-30RB	FS-30RS
1"	23~40	26~45	14~35	16~39
1¼"	38~64	42~70	22~64	24~71
1½"	49~88	54~97	27~74	30~82
2"	72~125	80~137	36~91	40~100
2½"	92~160	100~176	44~140	48~154
3"	114~198	125~218	46~173	51~190
4"	151~279	166~307	75~243	82~267
5"	223~436	245~480	111~349	122~384
6"	300~629	330~690	150~466	165~512
8"	770~1560	847~1715	643~1480	707~1620

Installation Instruction



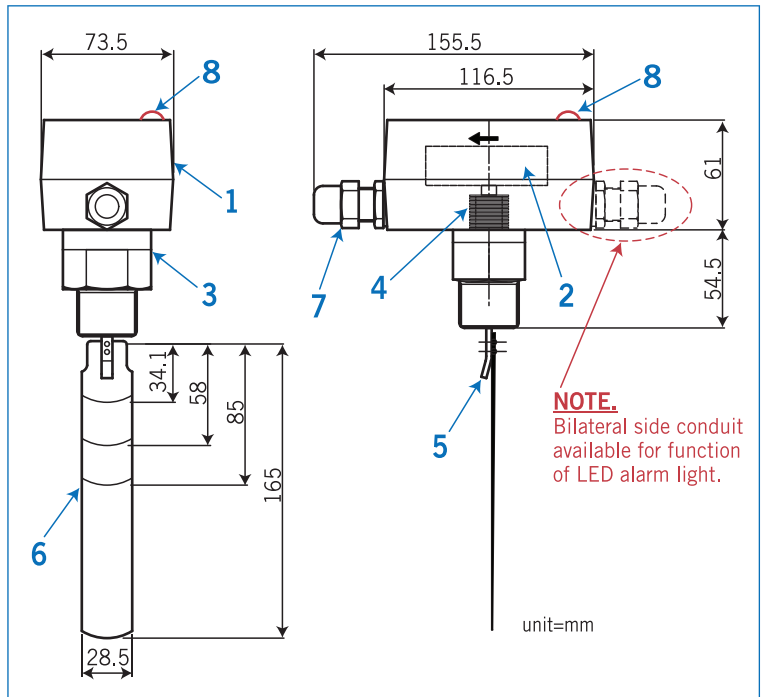
Patent No.

M290239

Approvals:



Dimensions



Material List

Item		FS-30RB	FS-30RS
1	Housing	Plastic	Plastic
2	Switch Mechanism	Microswitch Unit	Microswitch Unit
3	Connection	Brass	SS316
4	Bellows	Brass	SS316
5	Paddle Guide	Brass	SS316
6	Paddle	SS301	SS301
7	Conduit	Plastic	Plastic
8	LED Alarm Light (option function)	Plastic	Plastic