

PISTON TYPE FLOW SWITCH

FS35R FS35RB– Stainless Steel + Brass Inner Parts
 FS35RS– Stainless Steel

Good Repeatability
Dirt-Resistance
High Switch Capability

The New-Flow FS35R Flow Switch for liquids or gaseous media with spring supported piston and magnetic actuation of a micro switch. Robust design, produced in materials brass or stainless steel.

Technical Data

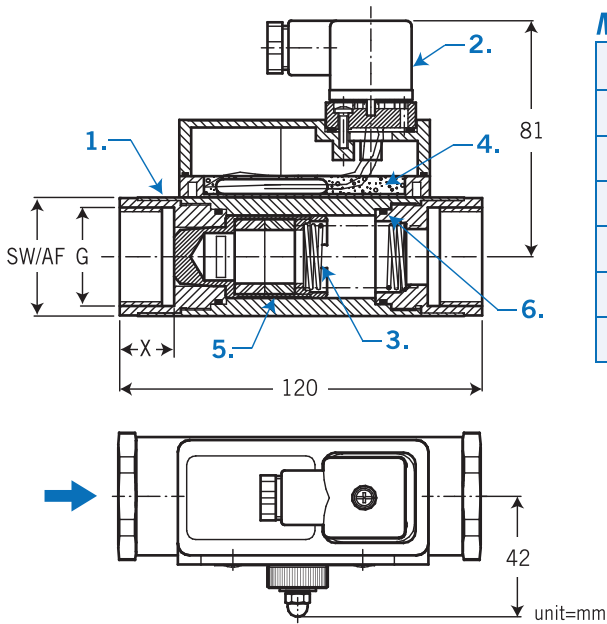
Protection Class: IP65
Process Connection: ¼" to 1" female, thread PF and NPT available
Wetted Parts Material: Brass or Stainless Steel
Micro Switch: Rating 3A/250VAC, 5A/125VAC
Conduit Connection: DIN43 650 / EN 175301-803
Accuracy: ±5% of Full Scale
Temperature Limited: Max. 120°C
Pressure Limited: Average pressure loss 0.5 Bar at Qmax
Hysteresis: Depending on switch value from 15~20% F.S.



Approvals:



Dimensions



Material List

ITEM	Parts Name	FS35RB	FS35RS
1.	Body	Stainless Steel 316	Stainless Steel 316
2.	Switch Head	Polycarbonate	Polycarbonate
3.	Spring	Stainless Steel 316	Stainless Steel 316
4.	Magnet	Bariumferrite	Bariumferrite
5.	Piston	Brass	Stainless Steel 316L
6.	Seal	Viton	Viton

Flow Rate Table

(W) Water:

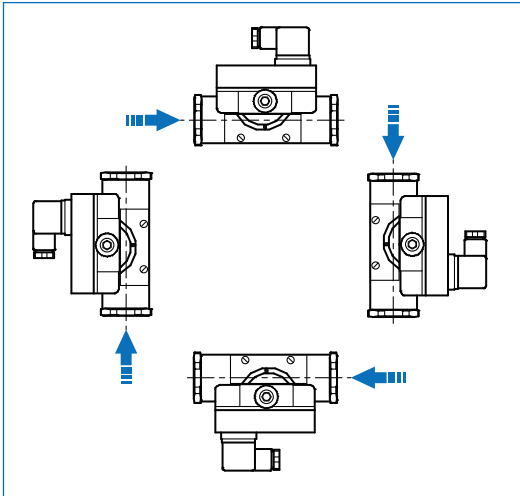
Model	Size	PN	Qmax. Recom. (L/Min H ₂ O)	Adjustable Range (L/Min H ₂ O)			AF (mm)	X (mm)	Weight (KG)
FS35RB & FS35RS	¼"	200 bar	10	0.5~5	1~10		40	15	1.3
	⅜"	200 bar	20	0.5~5	1~10	1.8~18	40	15	1.3
	½"	200 bar	40	1.6~16	2~20	3.5~35	40	15	1.2
	¾"	200 bar	60	2~20	4~40	6~60	40	18	1.2
	1"	200 bar	80	2~20	4~40	6~60	40	18	1.1

(O) Oil:

Model	Size	PN	Qmax. Recom. (L/Min H ₂ O)	Adjustable Range (L/Min)			AF (mm)	X (mm)	Weight (KG)
FS35RB & FS35RS	¼"	200 bar	10	0.5~5	0.8~8	1~10	40	15	1.3
	⅜"	200 bar	20	1~10	1.5~15	2~20	40	15	1.3
	½"	200 bar	40	2~20	2.5~25	4~40	40	15	1.2
	¾"	200 bar	60	2.5~25	5~50	6~60	40	18	1.2
	1"	200 bar	80	2.5~25	5~50	6~60	40	18	1.1

NOTE.
 Adjustable range is indicated for horizontally decreasing flow.

Flow Direction



NOTE.
Installation position may influence switch value.

Ordering Information

FS35R	Code	Body Material			
	B	Stainless Steel + Brass inner parts			
	S	Stainless Steel			
	Code	Process Connection Size			
	(1) 1/4" (2) 3/8" (3) 1/2" (4) 3/4" (5) 1"				
	Code	Thread (Female)			
	(G) PF (N) NPT				
Code	Adjustable Range (Horizontal)				
W	Water (L/Min H ₂ O)				
	(1) 0.5~5 (2) 1~10 (3) 1.6~16 (4) 1.8~18 (5) 2~20 (6) 3.5~35 (7) 2~20 (8) 4~40 (9) 6~60				
O	Oil (L/Min)				
	(10) 0.5~5 (11) 0.8~8 (12) 1~10 (13) 1.5~15 (14) 2~20 (15) 2.5~25 (16) 4~40 (17) 5~50 (18) 6~60				
FS35R					Complete Ordering Code

Ordering code example:

FS35R-B-3-G-014

- FS35R = Model
- B = Body: Stainless Steel + Brass inner parts
- 3 = 1/2"
- G = PF
- 014 = Oil, 2~20 L/Min

NOTE.

Please check the Flow Rate Table of the adjustable range against the connection size.