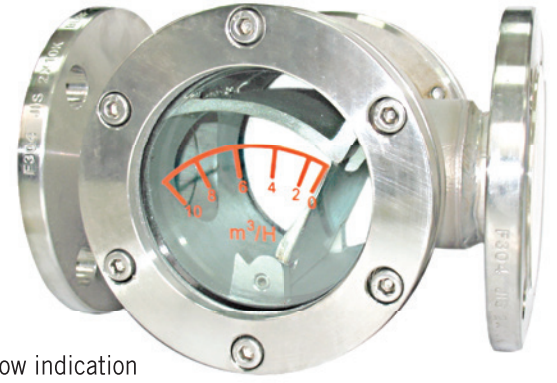


FLOW SIGHT GLASS GAUGE

FS SERIES

The flow meter sight glass gauge was designed with spring paddle to indicating flow rate for easy observation of flowing fluid from Left to Right or Right to Left direction.



Approvals:



Technical Data

Service: – Water treatment system – Industrial liquid flow system – Double window indication

Material: Body: SS316; Paddle: SS316; Spring: SS316; Gage: Tempered glass; Gasket: Teflon or Gore-Tex; Flange: SS316 and SS304 available

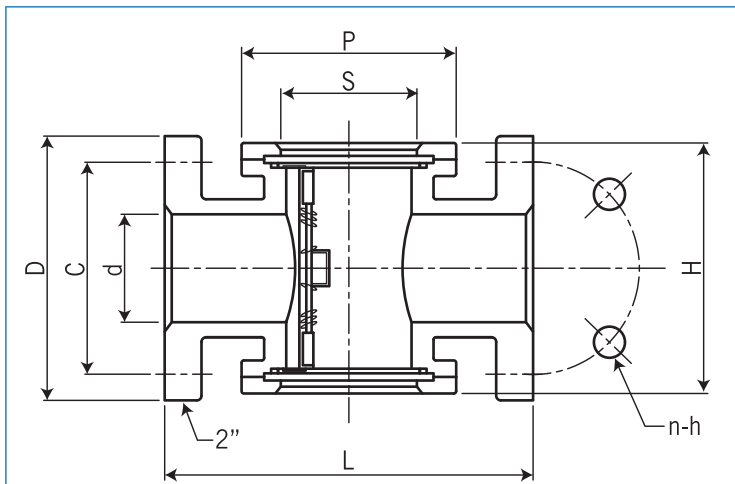
Max. Working Temperature: 80°C

Max. Working Pressure: 10 kg/cm² at 25°C water

Connection Size: 2"

Connection Rating: JIS 10K, ANSI 150#, PN10 and PN16 available

Dimensions



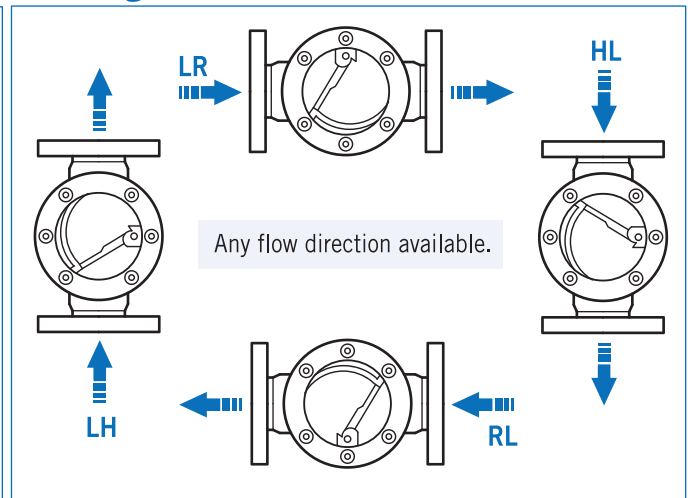
unit=mm

Size	Range (m ³ /h)	Dimensions							
		d	C	D	H	S	P	L	n-h
2"	2~10	48	120	155	170	102	149.5	220	19φ
	2~18	48	120	155	170	102	149.5	220	19φ

NOTE

1. Flange rating: JIS 10K, ANSI 150#, PN10 and PN16 are available.
2. The Dimensions of C, D will be changed by flange rating.

Mounting Position



Ordering Information

FS	Code	Body Material		
	1	SS316 (standard)		
	Code	Connection Size		
	1	2"		
	Code	Flange Rating		
	(1) JIS 10K (2) ANSI 150# (3) PN10 (4) PN16			
	Code	Flange Material		
	1	SS316	2	SS304
	Code	Flow Range		
	A	2~10 M ³ /H	B	2~18 M ³ /H
Code	Flow Direction			
	LH	HL	RL	LR
Code	CE 1128 Mark Request			
	(1) With label sticker (2) With S.S nameplate (3) Stamp (4) Without			

FS [] [] [] [] [] [] [] [] [] [] Complete Ordering Code