

FLOW SIGHT GLASS GAUGE

- FW-1** – SINGLE WINDOW
- FW-2** – DOUBLE WINDOW
- FW-3** – FLANGE TYPE FOR BIG SIZE

Technical Data

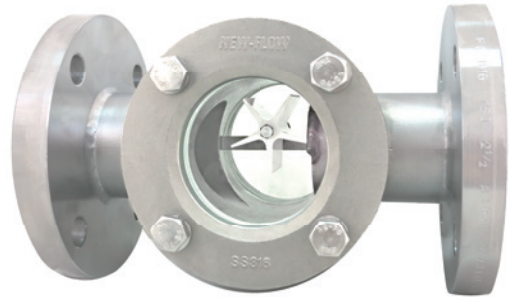
Service: For gases and liquid
Wetted Parts Material: Window- Tempered glass; Body- SS316;
 Gasket- Teflon; Impeller- (1) ABS plastic, (2) PVDF, (3) PPS+40% glass fiber
Temperature Limit: For impeller- (1) ABS plastic: 70°C (White),
 (2) PVDF: 100°C (Red or White), (3) PPS+40% glass fiber: 200°C (Dark Brown)
Pressure Limit: FW-1: 150 psig (10.34 bar)
 FW-2: 125 psig (8.62 bar)
 FW-3: Available for 15, 25 and 40 kg/cm² @25°C Water
Connection: Threaded and Flange available
Size: (FW-1 & FW-2): 1/4", 3/8", 1/2", 3/4", 1", 1 1/4", 1 1/2", 2"
 Thread NPT or PF female; and Flange type available
 (FW-3): 2" to 8" Flange type only



FW-1
(Single Window)

Approvals:

FW-2
(Double Window)



FW-3
(Flange, Double Window)

Dimension-mm

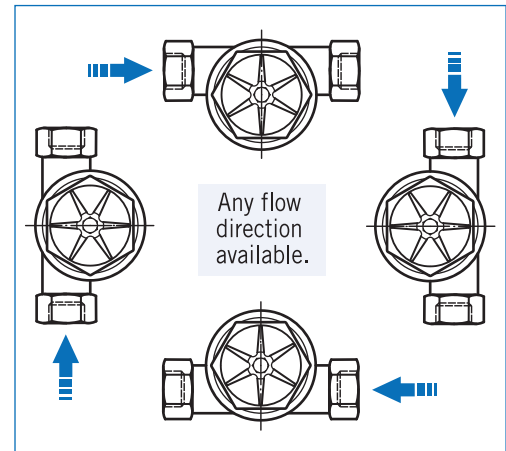
FW-1

Single Window, Thread type & Flange type

Size	1/4"	3/8"	1/2"	3/4"	1"	1 1/4"	1 1/2"	2"
A	76	76	100	100	109	109	150	150
B	43	43	67	67	72	72	95	95
d	32	32	40	40	40	40	57	57

Size	1/2"	3/4"	1"	1 1/4"	1 1/2"	2"
C	130	130	160	200	200	220
C (option)	140	140	140	180	180	220

Flow Direction



FW-2

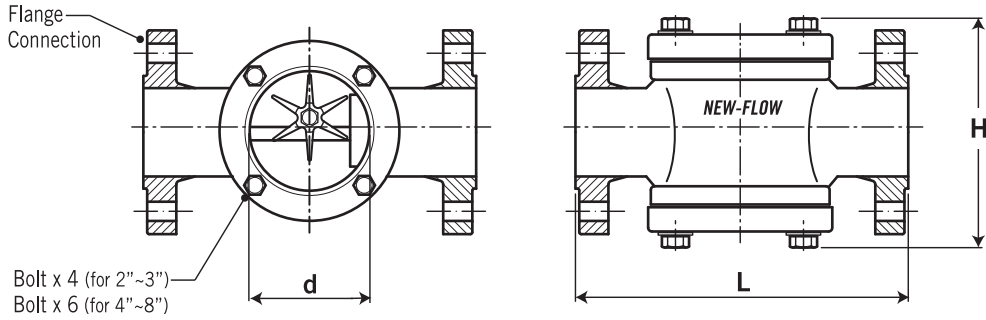
Double Window, Thread type & Flange type

Size	1/4"	3/8"	1/2"	3/4"	1"	1 1/4"	1 1/2"	2"
E	76	76	100	100	109	109	150	150
F	70	70	80	80	96	96	110	110
d	32	32	40	40	40	40	57	57

Size	1/2"	3/4"	1"	1 1/4"	1 1/2"	2"
G	130	130	160	200	200	220
G (option)	140	140	140	180	180	220

FW-3

Double Window, Flange type for big size



unit=mm

Size	2"	2½"	3"	4"	5"	6"	8"
d	65	84	84	109	148	170	222
H	146	164	183	212	247	276	345
L	220	270	270	320	380	420	500
L (option)	220	260	260	310	---	---	---
L (300LB)	---	---	---	---	---	---	---

Optional for Impeller



NOTE. The temperature limit above-mentioned is only for the reference to the rotors. Please also considering the max. temperature of body in the operating.

Ordering Information

FW	Code	Model	Code	Connection Size		
↓	1	Single Window		(1) 1/4" (2) 3/8" (3) 1/2" (4) 3/4"		
	2	Double Windows		(5) 1" (6) 1¼" (7) 1½" (8) 2"		
	3	Double Windows, Flange type for big size		(code 9~15 for FW-3 only)		
		Code	Type		(9) 2" (10) 2½" (11) 3" (12) 4"	
		T	Thread type	F	Flange type	(13) 5" (14) 6" (15) 8"
		Code	Body Material		Code	Connection Rating
		S	SS316			(1) NPT Female (2) PF Female
		Code	Gasket Material			(3) JIS 10K (4) ANSI 150#
		T	Teflon			(5) option
		Code	Indicator Type – Impeller (Color)		Code	CE 1128 Mark Request
		A	ABS, plastic (White)		1	with label sticker
		B	PVDF (White)		2	with S.S nameplate
		C	PVDF (Red)		3	stamp
		D	PPS+40% glass fiber (Dark Brown)		4	without
		FW			+	