

FLOW SIGHT GLASS GAUGE F SERIES

Flange Connection With or Without Spring Paddle

The flow sight glass was designed with or without spring paddle for easy observation of flowing fluid from any direction.

Technical Data

Service: Compatible gas and liquid; Water treatment system; Industrial flow system; and Double windows indication

Material: Body- SS316, SS304, SS316L, SS304L, option available; Paddle- SS316; Spring- SS316; Gauge- Tempered glass; Gasket- Teflon, Gore-Tex, Graphite

Max. working temperature: 200°C (option: 300°C available)

Max. working pressure: • **FA type:** (for size of 15A to 50A): 10 kg/cm² @25°C water

• **FB type:**

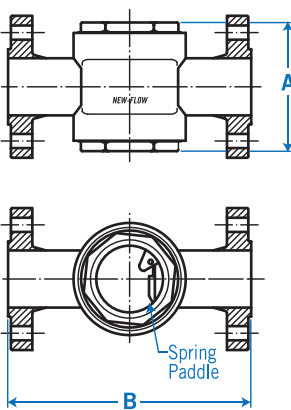
(for size of 15A to 50A): 15 kg/cm² @25°C water ; 25 and 40 kg/cm² are on request

(for size of 65A to 100A): 15 kg/cm² @25°C water

(for size of 125A to 250A): 10 kg/cm² @25°C water

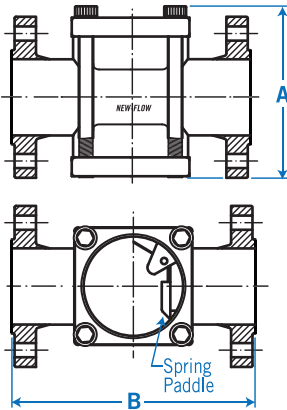
Dimension-mm

FA Type (with paddle)

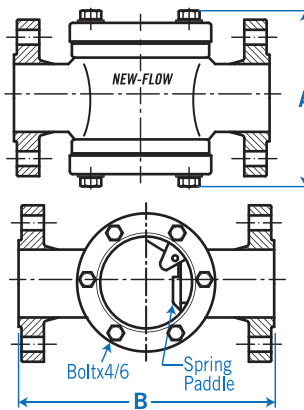


FB Type (with paddle)

15A~50A



65A~250A



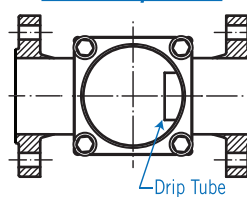
for FA Type:

Size	Range	15A	20A	25A	32A	40A	50A
A		114	114	114	114	130	150
B		130	130	160	160	200	220
B (option)		140	140	140	140	180	220

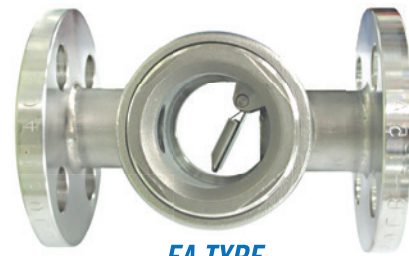
for FB Type:

Size	Range	15A	20A	25A	32A	40A	50A	65A	80A	100A	125A	150A	200A	250A
A		72	72	72	115	115	129	164	183	212	247	276	345	430
B		130	130	160	200	200	220	270	270	320	380	420	500	730
B (option)		140	140	140	180	180	220	260	260	310	-	-	-	-
B (300LB)		160	160	160	-	-	-	-	-	-	-	-	-	-

Drip Tube Type (without paddle)



*250A is only for drip tube type.



FA TYPE



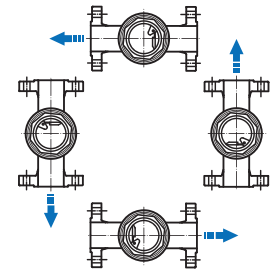
FB TYPE

Approvals:



CE 1128

Mounting Position



Flow Range Table

Item Code	Flow Range	Connection Size
A	0~1.5 M ³ /H	½"(15A), ¾"(20A), 1"(25A)
B	0~3 M ³ /H	½"(15A), ¾"(20A), 1"(25A)
C	0~4 M ³ /H	½"(15A), ¾"(20A), 1"(25A)
D	0~8 M ³ /H	1¼"(32A), 1½"(40A), 2"(50A)
E	0~10 M ³ /H	1¼"(32A), 1½"(40A), 2"(50A)
F	0~12 M ³ /H	1¼"(32A), 1½"(40A), 2"(50A)
G	0~16 M ³ /H	1¼"(32A), 1½"(40A), 2"(50A)
H	0~18 M ³ /H	2"(50A)
I	0~24 M ³ /H	2"(50A)
J	0~22 M ³ /H	3"(80A), FB type available only

Ordering Information

FA/FB	Code	Type	Code	Gasket Material		
↓	↓	W With Paddle	N Without Paddle (Drip Tube)- scale unavailable	(1) Teflon (2) Gore-Tex (3) Graphite		
		Code	Wetted Parts Material	Code	CE 1128 Mark Request	
↓	↓		(1) SS316 (2) SS304 (3) SS316L (4) SS304L (5) option	(1) with label sticker (2) with S.S nameplate		
		Code	Size	(3) stamp (4) without		
↓	↓		(1) 15A (2) 20A (3) 25A (4) 40A (5) 50A (6) 65A (7) 80A	Code	Flow Range	
			(8) 100A (9) 125A (10) 150A (11) 200A (12) 32A (13) 250A	A-J	Plase refer to the Flow Range Table, and fill out the item code of requested range directly.	
↓	↓		Code	Connection Rating	N	No need flow range scale
			(1) JIS 10K (2) JIS 20K (3) ANSI 150#			
↓	↓		(4) ANSI 300# (5) PN10 (6) PN16			
			(7) PN25 (O) option			
FA/FB			+		Complete Ordering Code	