

ACCESSORIES OF FLANGE ADAPTERS

Approvals:



Technical Data

Model: FAT Type- Female Thread to Flange
 FATN Type- Nipple Female Thread to Flange
 FAD Type- Fitting Adapter to Flange
 FAS Type- Welded Swivel Nut to Flange

Material: SS316 standard; and others are available

Flange Series: 1. Raised Face (RF type)
 2. Ring-Joint (RJ type)
 3. Others (Tongue or groove)

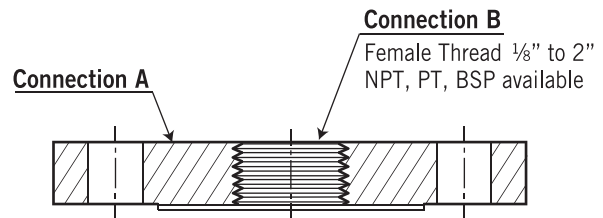
Flange Connection Type:

- ASME B16.5: NPS ½" to NPS 2". (Pressure Raing: 150psi to 2500psi)
- DIN EN 1092: DN15 to DN50. (Pressure Raing: PN40 to PN100)
- JIS B 2220: JIS ½" to JIS 2". (Pressure Raing: JIS 10K to 63K)

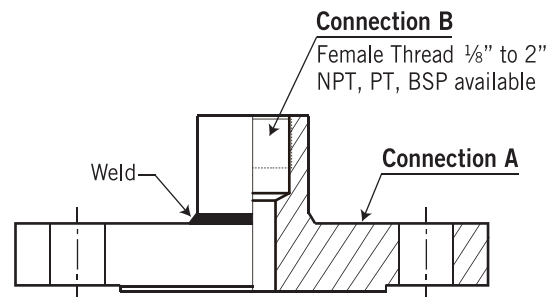
Thread Connection Type: Female Thread NPT, PT, BSP available

Configuration

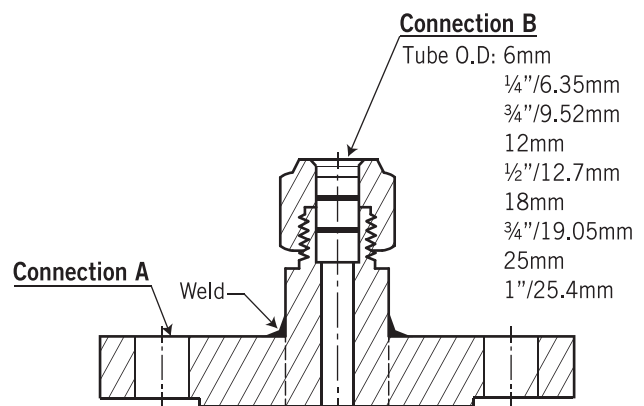
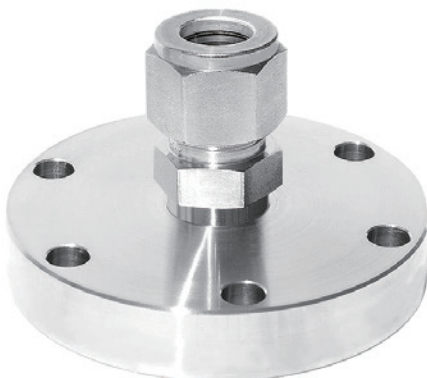
FAT Type



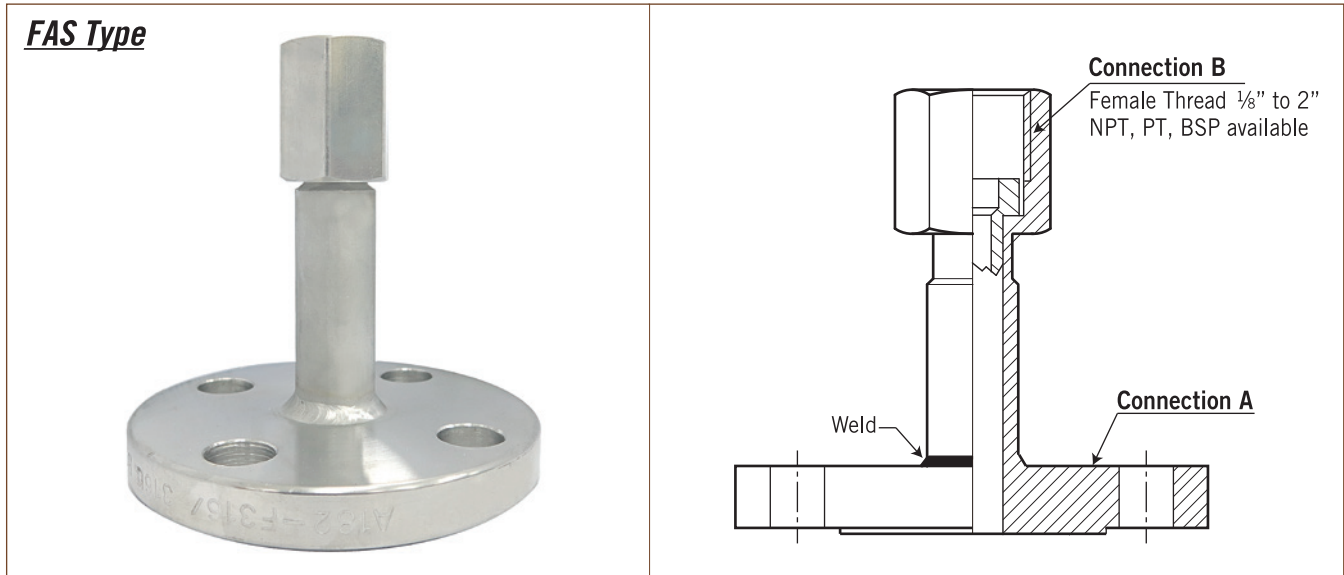
FATN Type



FAD Type



Configuration



Ordering Information

Model	Code	Model Type										
	FAT	Female Thread to Flange	FATN Nipple Female Thread to Flange									
	FAD	Fitting Adapter to Flange	FAS Welded Swivel Nut to Flange									
	Code	Material										
	S1	SS316, Standard	OP Option (please indicate material)									
		Code	Flange Connection Type									
		ASME ASME B16.5	JIS JIS B 2220 DIN DIN EN 1092									
		Code	Connection A (Flange Size)									
			(4F) 1/2" (6F) 3/4" (10F) 1" (12F) 1 1/4" (15F) 1 1/2" (20F) 2"									
			(15) DN15 (20) DN20 (25) DN25 (32) DN32 (40) DN40 (50) DN50									
			(O) Option									
		Code	Flange Rating									
			(A) 150# (B) 300# (C) 600# (D) 900# (E) 1500# (F) 2500# (G) PN10									
			(H) PN16 (I) PN25 (J) PN40 (K) JIS 5K (L) JIS 10K (M) JIS 20K									
			(O) Option									
		Code	Flange Series									
			(RF) Raised Face (RJ) Ring-Joint (O) Option									
		Code	Connection B									
			Please fill out the female thread type and size or tube O.D as required directly									
<table border="1" style="width: 100%; border-collapse: collapse;"> <tr> <td style="width: 20px; height: 20px;"> </td> <td style="width: 20px; height: 20px;"> </td> <td style="width: 20px; height: 20px;"> </td> <td style="width: 20px; height: 20px;"> </td> <td style="width: 20px; height: 20px;"> </td> <td style="width: 20px; height: 20px;"> </td> <td style="width: 20px; height: 20px;"> </td> <td style="width: 20px; height: 20px;"> </td> <td style="width: 20px; height: 20px;"> </td> </tr> </table>												
Complete Ordering Code												

Ordering code example:
FATN-S1-ASME-20F-A-RF-1/2"NPT(F)
 → FATN = Nipple Female Thread to Flange
 → S1 = SS316
 → ASME = Flange ASME B16.5
 → 20F = 2"
 → A = 150#
 → RF = Raised Face
 → 1/2"NPT(F) = Size: 1/2", Thread Type: NPT

WWW.NEW-FLOW.COM • TEL: 866-7-8135500 • FAX: 866-7-8225588 • Email: info@new-flow.com

ACCESSORIES