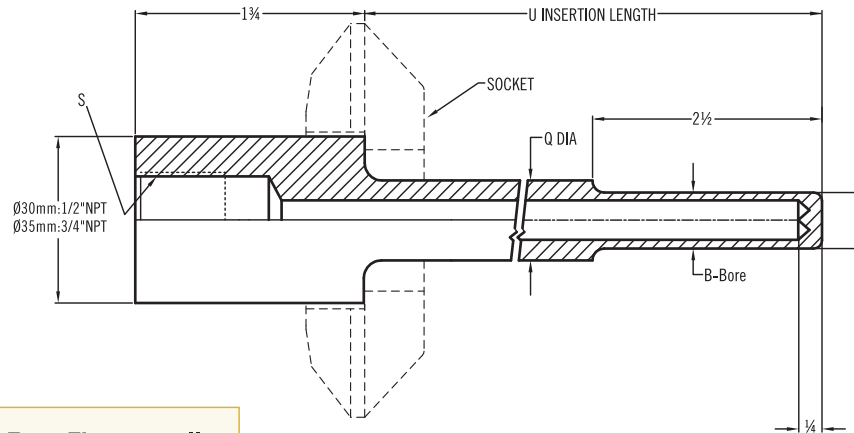


# GENERAL THERMOWELLS

Approvals:

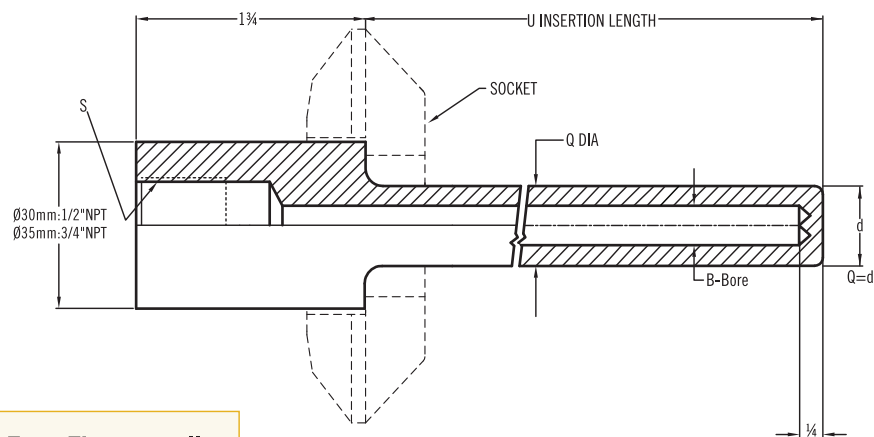


## Model : SWP



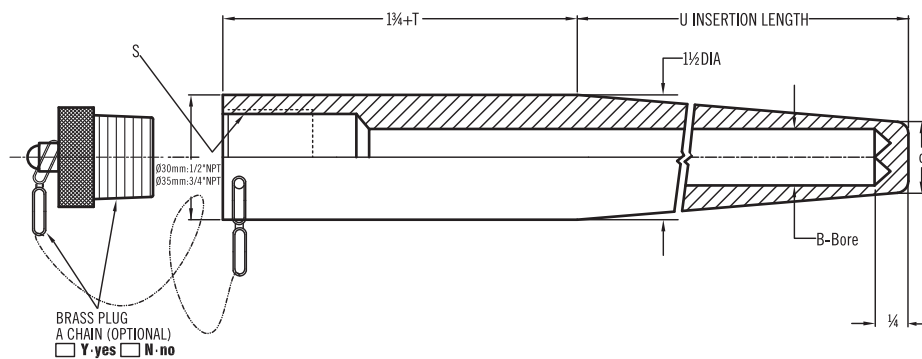
Socket-Weld Type Thermowells

## Model : SWS



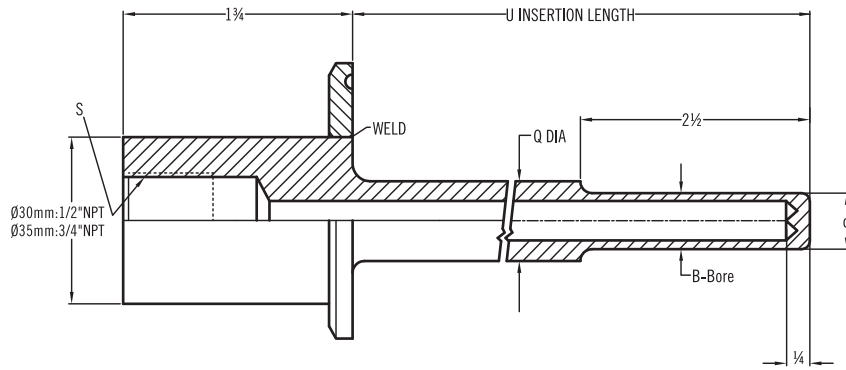
Socket-Weld Type Thermowells

## Model : WDN



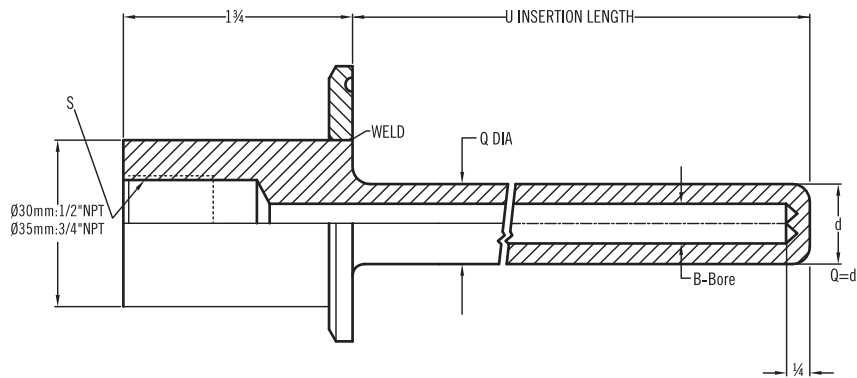
Weld-In Type Thermowells

Model : SCP



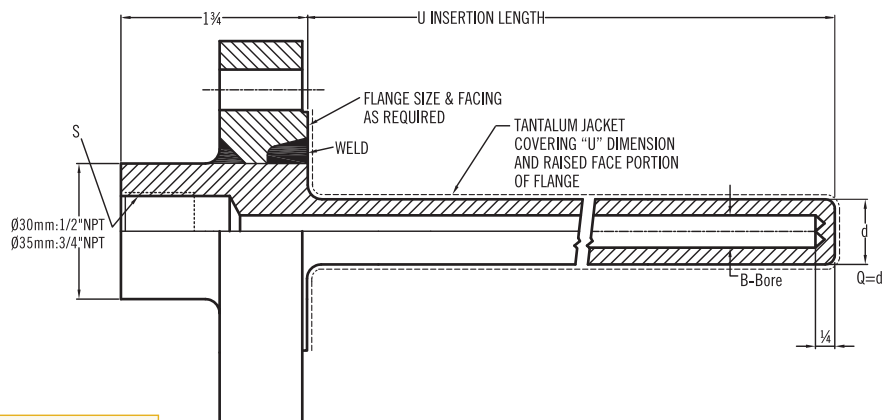
Sanitary Clamp Type Thermowells

Model : SCS



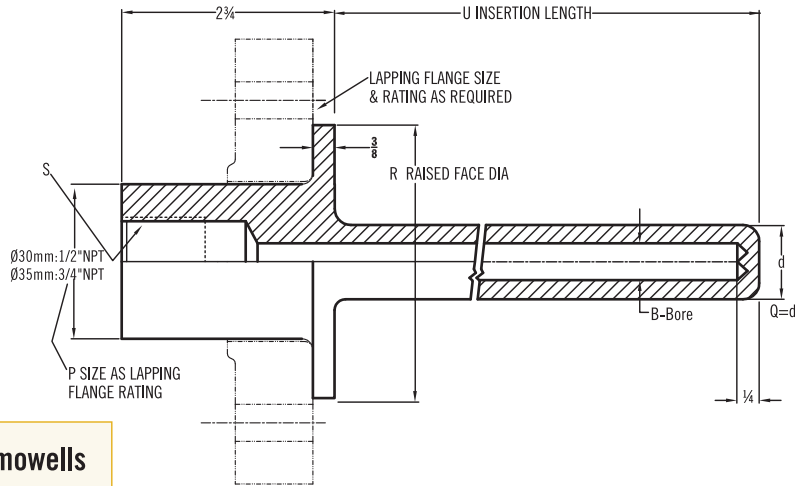
Sanitary Clamp Type Thermowells

Model : JAT



Jacket Type Thermowells

## Model : VST



Van Stone Thermowells

### Ordering Information

Model	SWP	SWS	WDN	SCP	SCS	JAT	VST
	<b>Code</b>		<b>Material</b>				
	CS	Carbon Steel		MO	Monel		
	S1	304 Stainless Steel		HC	Hastelloy C276		
	S2	316 Stainless Steel		Ti	Titanium		
	S3	316L Stainless Steel		OP	Option (please indicate material)		
		<b>Code</b>	<b>Process Connection</b>				
			(1) Without (2) With (please indicate size)				
		<b>Code</b>	<b>"U" Insertion Length</b>				
			Please indicate length.				
		<b>Code</b>	<b>S-Instrument Connection</b>				
			(A) 1/2" NPT Femal (B) 3/4" NPT Female (O) option				
		<b>Code</b>	<b>Lag Length "T"</b>				
		No	0				
		Tn	option (please indicate length)				
		<b>Code</b>	<b>"Q" Diameter</b>				
			Fill in the requested diameter: e.g. 20mm=20Q		0	without Q	
		<b>Code</b>	<b>"d" Diameter</b>				
			Fill in the requested diameter: e.g. 15mm=15d				
		<b>Code</b>	<b>"B" BORE diameter</b>				
			Fill in the requested diameter: e.g. 7mm=7B				
		<b>Code</b>	<b>Pulg with Chain</b>				
		Y	Yes	N	No		
							<b>Complete Ordering Code</b>