

VARIABLE AREA TYPE FLOW METER (ROTAMETER)

HB TYPE

Operation Principle

The variable area flow meter content a float & taper tube. The fluid flow through the taper tube and force up to the float. The flow rate is measured as a function of the area of the opening. This area displayed in indicating ring as the float that is free to move to produce the varying area.

Application

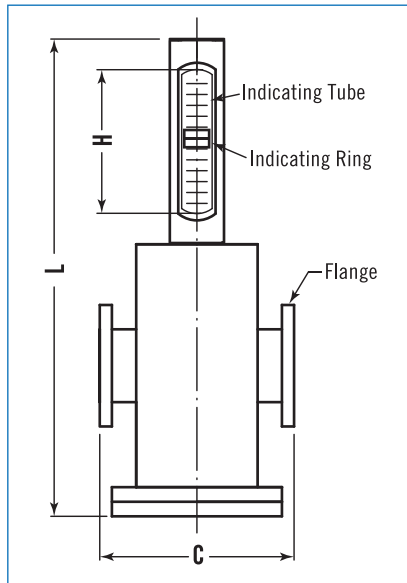
A. Measuring the flow rate for:

- Chemical process system
- Water treatment system
- Industrial flow system

B. Service Condition:

- Viscosity: ≤100cP
- Max. working temperature: 150°C
- Max. working pressure: 40 kg/cm²

Dimensions

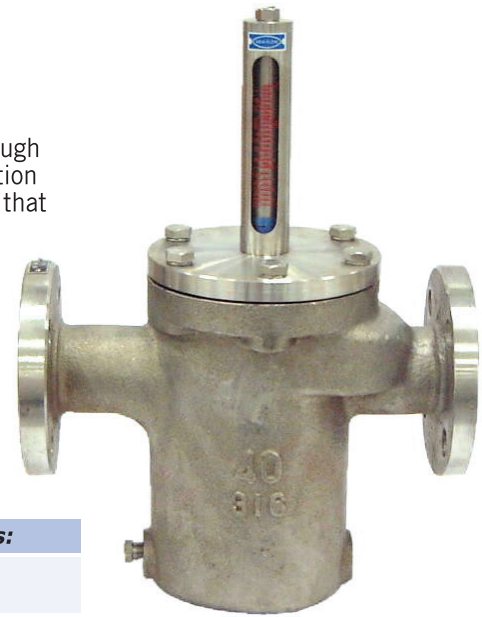
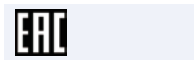


Standard Range Table & Dimensions

Size	Range	H2O (max.) M ³ /H	AIR (max.) Nm ³ /H	DIMENSION			
				L	H	C	Flange
15A	0.06 ~ 0.6	1 ~ 12	250	80	140	½"	
20A	0.12 ~ 1.2	2 ~ 20	250	80	140	¾"	
25A	0.3 ~ 3	5 ~ 50	300	100	160	1"	
32A	0.6 ~ 6	10 ~ 100	300	100	160	1¼"	
40A	1.2 ~ 12	20 ~ 200	350	100	200	1½"	
50A	2 ~ 20	30 ~ 300	400	100	240	2"	
65A	3 ~ 30	40 ~ 400	450	150	300	2½"	
80A	5 ~ 50	50 ~ 500	500	150	360	3"	
100A	7 ~ 70	60 ~ 600	550	200	400	4"	
125A	10 ~ 100	80 ~ 800	600	200	480	5"	
150A	15 ~ 150	100 ~ 1000	650	200	540	6"	

unit=mm

Approvals:



Ordering Information

HB-TYPE	Code	Model	Code	Float Material
	HBS	stainless steel wetted parts		(1) SS304 (2) SS316
		Code Size		Code Seal Material
		(1) 15A (2) 20A (3) 25A (4) 32A (5) 40A (6) 50A		(1) NBR (2) Viton (3) Teflon
		(7) 65A (8) 80A (9) 100A (10) 125A (11) 150A		Code Protection Supporter Material
		Code Connection Rating		(1) SS304 (2) SS316
		(1) JIS 10K (2) JIS 20K (3) ANSI 150#		Code Fluid
		(4) ANSI 300# (5) DIN PN10 (6) DIN PN40		L for liquid
		Code Body (wetted parts) Material		G for gas
		(1) SS304 (2) SS316		Code Flow Range
		(3) Option		Please directly fill out the flow range in the order code.
		Code Indicating Tube Material		
		(1) Borosilicate glass (2) PC		
HB-TYPE			+	