

PADDLE WHEEL LIQUID FLOW METER

HF200

Technical Data

Connection Size: 1½" NPT female standard
Power Supply: 3.8V to 30VDC
Output: Sink (NPN) and 4~20mA available
Material:
 Housing Case-Aluminum alloy [for output 4~20mA (4-wires) only]
 Body- Polypropylene, PVDF available
 Cover-PP, PVDF available
 Rotor-PVDF
 Shaft-HC 276
 Bearings-PVDF
Housing Protection: IP68
O-Ring: Viton
Conduit Size: ½" NPT (F)
Max. Temperature: 70°C
Max. Pressure: Polypropylene: 10 kg/cm²
 PVDF: 15 kg/cm²
Accuracy: ±2% F.S



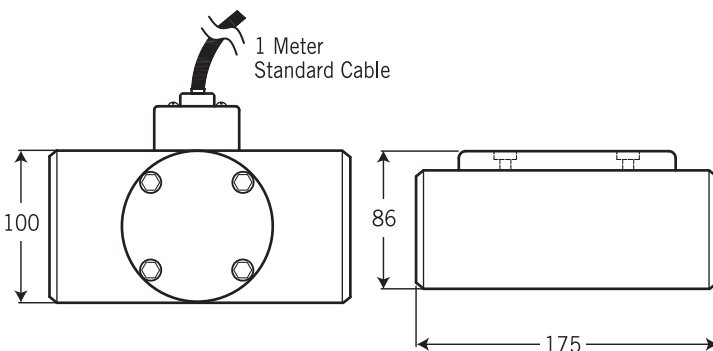
Approvals:



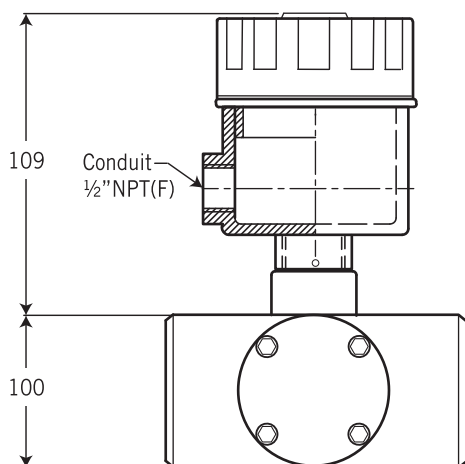
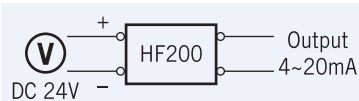
WWW.NEW-FLOW.COM • TEL: 886-7-8135500 • FAX: 886-7-8225588 • Email: info@new-flow.com

Dimensions-mm

Code 1: Sink (NPN) Output



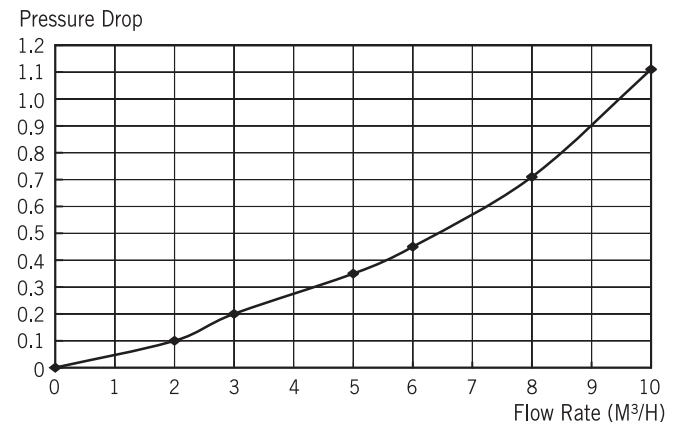
Code 2: 4~20mA (4-wires) Output



Range Table

SIZE	FLOW RATES (M ³ /H)	NOMINAL FACTORS PER LITER
1½"	1~10	7.1

Pressure Drop: 1½"



Ordering Information

HF200	Code	Process Connection Size
		(1) 1½"
	Code	Body Material
	A	Polypropylene
	B	PVDF
	Code	Cover Material
	1	PP
	2	PVDF
	Code	Output
	1	Sink (NPN) output
	2	4~20mA output
HF200		Complete Ordering Code