

# INTEGRAL ORIFICE ASSEMBLY IOA SERIES

## Technical Data

Used Differential Pressure Transmitter

Various Process Pipe Size: 3/8", 1/2", 3/4", 1", 1 1/2" available

Process Connection: Bevel welded, flange

Orifice Plate According To: ISO 5167, ASME and AGA-3 standard

Flange Rating: 150LB up to 600LB

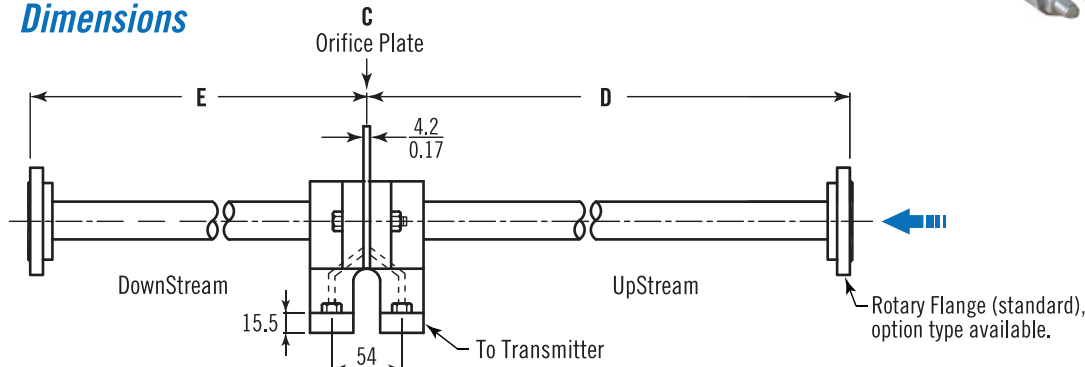
Pressure Limited: Up to 100 kg/cm<sup>2</sup>

Temperature Limited: -40°C~+350°C

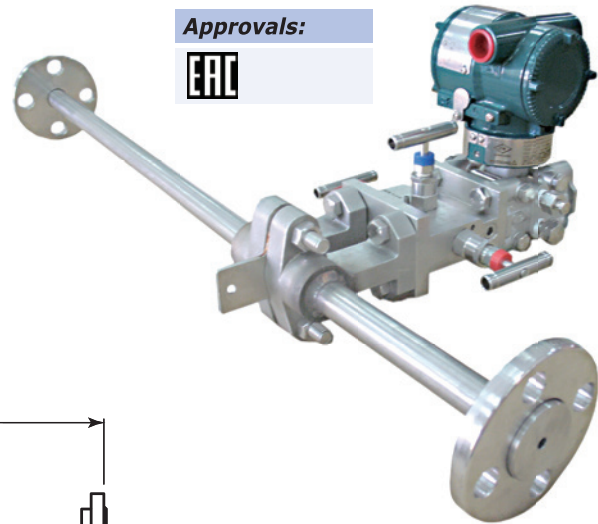
Material: SS316 wetted parts & Teflon gasket; option available

Accuracy: ±1.0% F.S (for orifice plate only)

## Dimensions



Approvals:



Assembly Line Size	Pipe Schedule		Straight Length Of Piping							
			With Flange				Without Flange			
			D		E		D		E	
		mm	in	mm	in	mm	in	mm	in	
3/8"	40S	80S	254	10.0	115	4.5	242	9.5	112	4.4
1/2"	40S	80S	318	12.5	145	5.7	315	12.4	142	5.6
3/4"	40S	80S	318	12.5	145	5.7	315	12.4	142	5.6
1"	40S	80S	513	20.2	221	8.7	510	20.1	218	8.6
1 1/2"	40S	80S	721	28.4	302	11.9	716	28.2	297.2	11.7

### NOTE.

1. Orifice plate bore size is by vendor.
2. Pipe schedule is option by user. (ex. Sch 160S)
3. Straight length of piping is option on request.

## Ordering Information

IOA	Code	Wetted Parts Material			
	S	SS316			
		Code	Gasket Material		
		T	Teflon		
		Code	Line Size		
			(A) 3/8" (B) 1/2" (C) 1" (D) 1 1/2" (E) 3/4"		
		Code	Process Flange Size		
			(A) 1/2" (B) 3/4" (C) 1" (D) 1 1/2" (O) option		
		Code	Process Connection		
		1. Flange Rating		2. Welded Type	
		15	ANSI 150#	B	Bevel End
		30	ANSI 300#		
		60	ANSI 600#		
		10	PN 10		
		16	PN 16		
		40	PN 40		
		10K	JIS 10K		
		20K	JIS 20K		
		T	Other: _____		
IOA					

Complete Ordering Code

\*Please fill in the ordering information and the specification of service condition in the next page.

## Specification of Integral Orifice Flowmeter

Individual Specification		Requirement	Requirement
1	Tag No. / P & ID No.		
2	Line No.		
3	Line Size & Schedule		
4	Pipe Material		
<b>METER</b>			
5	Design Type		
6	Calculation Standard		
7	Process Connection		
8	Plate Material		
9	Beta Ratio d/D		
10	Orifice Bore Diameter (mm)		
11	Vent or Drain Hole		
12	Plate Thickness (mm)		
13	Body Material		
14	Flange Material		
15	Bolts Material		
16	Gasket Material		
<b>ASSEMBLY</b>			
17	Associated Piping Material		
18	Flange Material		
19	3-Valve Manifold Material		
<b>TRANSMITTER</b>			
20	Type		
21	Mounting		
22	Case Material		
23	Enclosure Class		
24	Hazardous Area Classification		
25	Hazard Protection		
26	Power Supply		
27	Signal Output		
28	Conduit Connection		
29	Accuracy		
30	Zero Elevation / Suppression		
31	Output Gauge		
<b>FLUID DATA</b>			
32	Fluid		
33	Fluid Phase / Flow Unit		
34	Flow Range		
35	Flow Nor. / Max.		
36	Temp. Nor. / Max. (°C)		
37	Press. Nor. / Max. (BarG)		
38	Sp. Gr. @operating / @1 ATM 60°F		
39	Molecular Weight		
40	Operating Viscosity (cP)		
41	Oper. Gas Compress. Factor		
42	Max. Allowable DP		
<b>MODEL</b>			
43	Manufacturer		
44	Model No.		

\* Please fill in above block on request.