


# CABLE FLOAT LEVEL SWITCH LQ SERIES

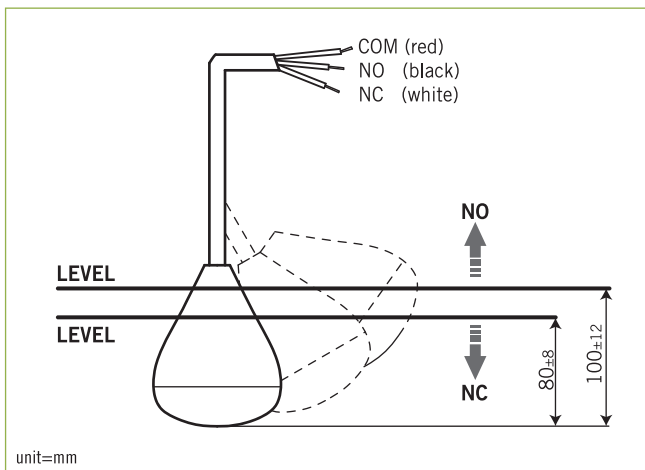
## Technical Data

High Corrosive Liquid Useable  
 Set Point adjustable (max. set point 7)  
 Multiple Level Set Point available  
 Float Enclosure Class: IP68  
 Material: Housing- Aluminum alloy with paint, PP, and option available;  
 Float- ABS plastic; Cable- PVC plastic; Flange- PVC, PP and option available;  
 Weight- PVC  
 Float Size:  $\varnothing 80 \times 110\text{mmL}$   
 Housing Conduit Size:  $\frac{3}{4}$ "NPT(F); option available  
 Flange Size: : 4" (for LQ-01~LQ-05); 6" (for LQ-06~LQ-07); option available  
 Cable Length: Standard 6M; option available (max. length 25M)  
 Working Pressure Limited: maximum 2.5 kg/cm<sup>2</sup>  
 Working Temperature Limited: -10°C ~ +50°C  
 Working Sp. Gr.:  $\geq 0.9$   
 Switch Mode: SPDT mode  
 Switch Rating: 5A/125VAC, 3A/250VAC, 5A/8V & 14VDC, 4A/30VDC, 0.4A/125VDC

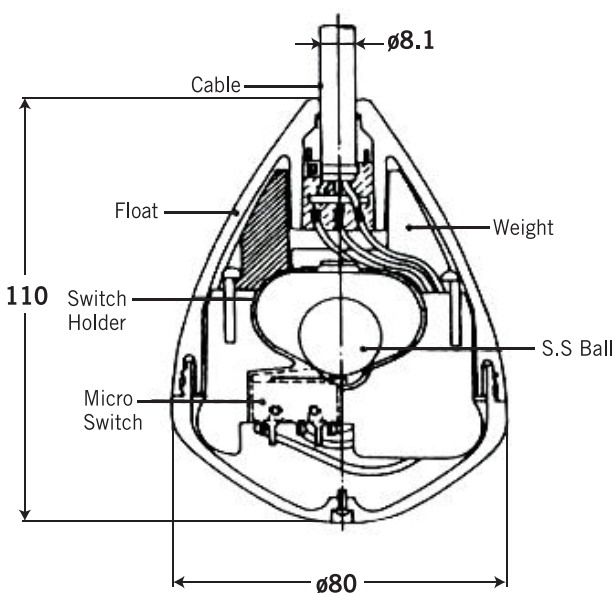
Approvals:	Patent No.
	M408686



## Acting Gap in Fluid



## Dimensions for Float



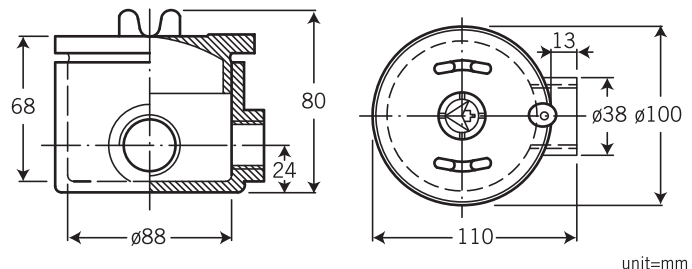
**LQ Series Float**  
(unit=mm)

## Head Type Technical Data

### MS-1 TYPE



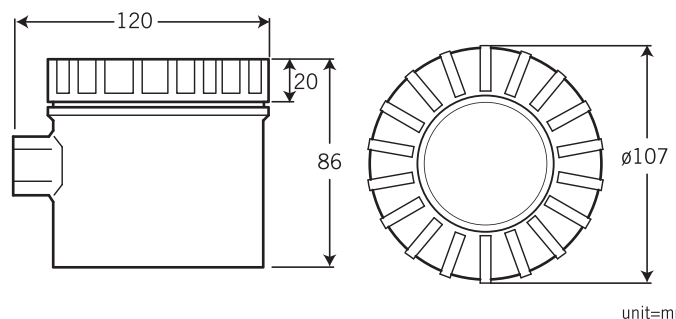
Protection: IP66  
 Material: Aluminum Alloy  
 Extension Wire Connection:  $\frac{1}{2}$ ",  $\frac{3}{4}$ "NPT  
 Weight: 650g



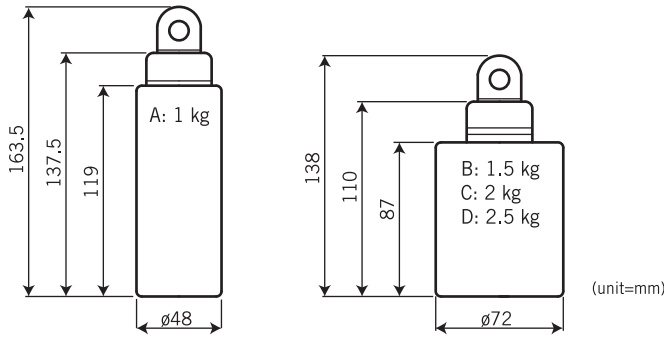
### CP Type



Protection: IP66  
 Material: P.P  
 Extension Wire Connection:  $\frac{1}{2}$ ",  $\frac{3}{4}$ "NPT  
 Weight: 170g



Dimensions for Weight



Model & Dimensions (unit=mm)

