

# HORIZONTAL MAGNETIC LEVEL SWITCH

## LR SERIES

The LR Series of float-operated level switch. Suitable for control the liquid level with horizontal mounting. The float extension arm moves a magnet which actuated reed switch offer an open or closed contact upon request by user.

### Technical Data

- General Purpose Type
- Weather Proof Type- IP68
- Explosion Proof Type
- Chemical Duty
- Sp. Gr.: Minimum 0.6
- Screwed Mounting
- Connection: 1/2", 3/4" or 1"NPT male available
- Max. Pressure: 10 kg/cm<sup>2</sup>
- Max. Temperature: -10°C~120°C
- Float Material: SS316
- Wetted Parts Material: SS316
- Reed Switch: One switch and Two switch available (Two switch is only for the size of 3/4" and 1")

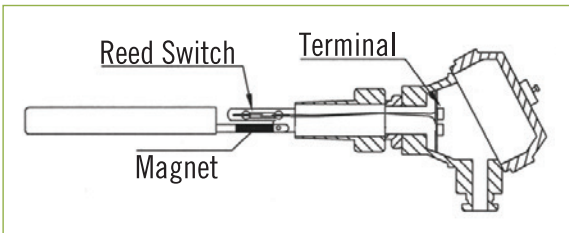
### Approvals:



### Reed Switch Type

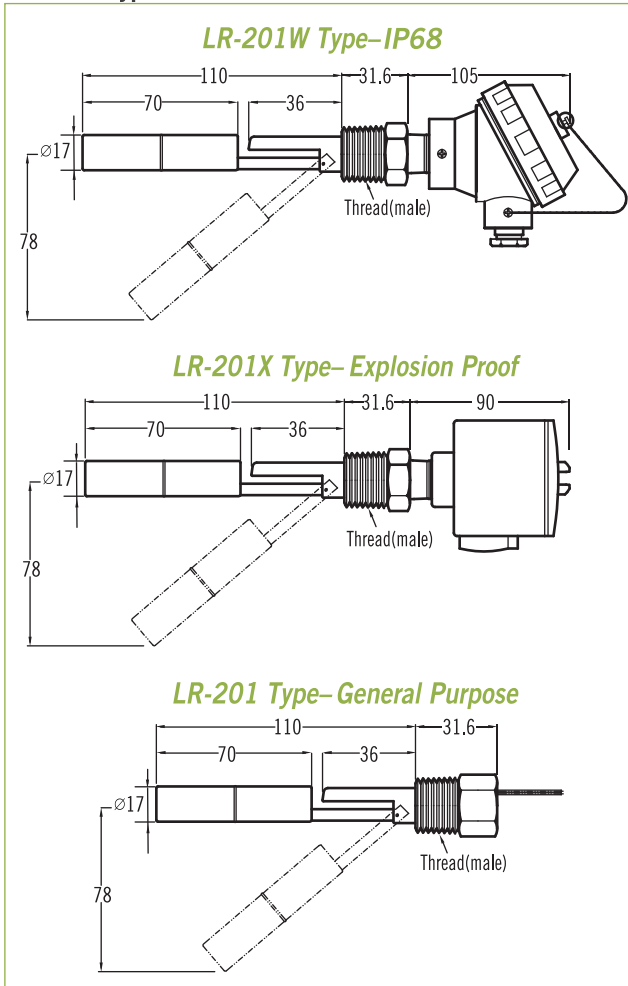
Contact Form	A1 (SPST)	A2 (SPST)	C (SPDT)
Switching Capacity Max.	40 W/WA	10 W/WA	20 W/WA
Switching Voltage Max.	230V AC/DC	100VDC, 250VAC	150V AC/DC
Switching Current Max.	2A	1A	1A
Carrying Current Max.	3A	1.5A	2A

\*Special rate available on request.

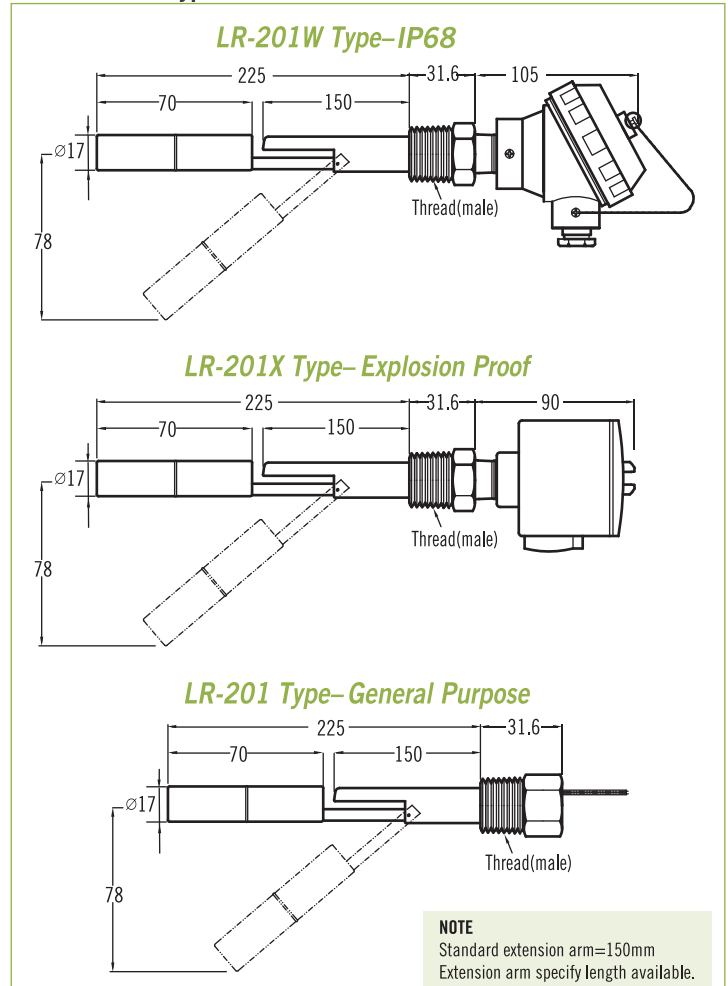


### Dimension-mm

#### Standard Type



#### Extension Arm Type



## Head Type Technical Data for LR-201X (Explosion Proof Type)



**XDS TYPE**



**XDA TYPE**



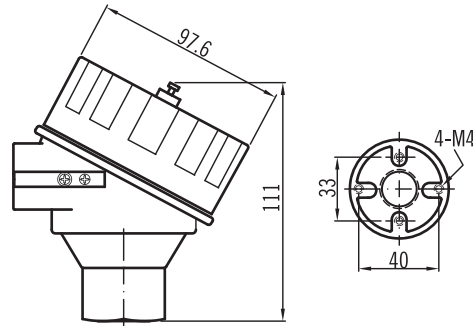
**S1 TYPE**



**ES & EA TYPE**

### XDS / XDA Type

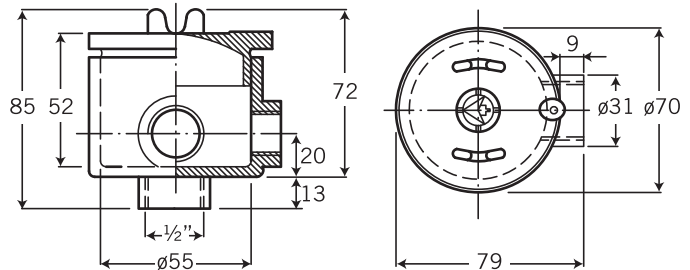
**Material:** XDS-SS316; XDA-Aluminum alloy  
**Weight:** XDS-1278 g; XDA-460 g  
**Protection tube connection:**  
 1/2" PF, 3/4" PF, 1/2" NPT, 3/4" NPT  
 1/2" BSP, 3/4" BSP, G1/2", G3/4"  
 M20x1.5, M24x1.5, M25x1.5  
**Extension wire connection:**  
 M20x1.5, M25x1.5, 1/2" NPT, 3/4" NPT  
**EC certificate no.:** BSI 07 ATEX 1532458U  
**ATEX directive code:** II 2 G D  
**Standard code:** Ex d IIC T6, Ex tD A21  
 T100°C IP68  
**FM Approvals:** XP/II/1/ABCD/T6; DIP/II,III/1/EFG/T6;  
 Type 4X



Explosionproof for Class I, Division 1, Groups A,B,C and D; and dust-ignitionproof for Class II, III Division 1, Groups E,F and G, hazardous (classified) locations; indoor / outdoor (NEMA Type 4X).

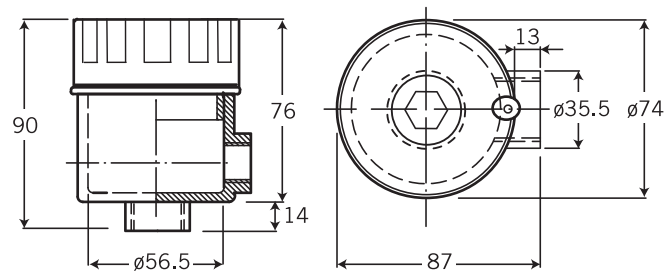
### S1 Type

**Protection:** Explosion proof, EEx d IIC-T6, II 2 GD; IP66  
**Material:** Aluminum alloy  
**Terminal Block:** 4 x 4 mm<sup>2</sup> (on request)  
**Weight Gr.:** 350g



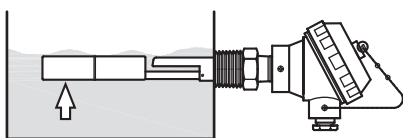
### ES & EA Type

**Protection:** Explosion Proof Type  
**Material:** ES: SS316 / EA: Aluminum Alloy  
**Extension wire connection:**  
 1/2", 3/4" (PF, NPT, BSP)  
**Weight:** 1054 g

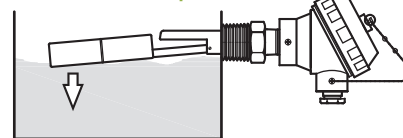


## Float Level Switch Action Mode

(A) Switch Action: Close (ON)

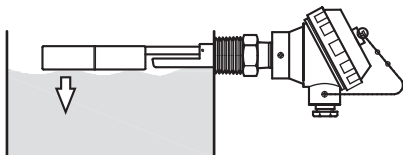


(B) Switch Action: Open (OFF)



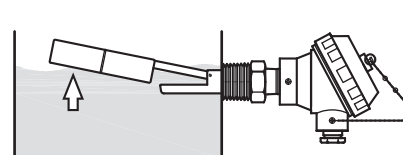
(C) Switch Action: Close (ON)

Particle or Garbage mixed liquid no recommend



(D) Switch Action: Open (OFF)

Particle or Garbage mixed liquid no recommend



## Ordering Information

LR	Code	Type
	S	Standard Type
	E	Extension Arm Type
	<b>Code</b>	<b>Model</b>
	201W	Weather Proof, IP68
	201X	Explosion Proof
	201	General Purpose
	<b>Code</b>	<b>Head Housing Type &amp; Material (*only for 201X selection*)</b>
	S1	Aluminum Alloy
	ES	SS316
	EA	Aluminum Alloy
	XDS	SS316
	XDA	Aluminum Alloy
	O	For Weather proof type & General purpose type
	<b>Code</b>	<b>Contact Form</b>
	1	A1 type (SPST, 230VAC/DC)
	2	A2 type (SPST, 100VDC, 250VAC)
3	C type (SPDT, 150VAC/DC)	
<b>Code</b>	<b>Float Material</b>	
S	SS316	
<b>Code</b>	<b>Connection Size</b>	
(1) 1/2"NPT(M) (2) 3/4"NPT(M) (3) 1"NPT(M)		
(4) 1/2"BSP(M) (5) 3/4"BSP(M) (6) 1"BSP(M) (7) option		
<b>Code</b>	<b>Conduit Size</b>	
(1) 1/2"NPT(F) (2) 3/4"NPT(F) (3) 1/2"BSP(F) (4) 3/4"BSP(F) (5) option		
<b>Code</b>	<b>Reed Switch</b>	
1	One Switch	
2	Two Switches (for size 3/4" or 1" only)	
<b>Code</b>	<b>Explosion Proof Type / Head Housing Type</b>	
N	For Weather Proof Type, LR201 and LR201W	
A	<b>Certificate on Housing Only / S1:</b> EEx d IIC-T6; II 2 GD	
B	<b>Taiwan Explosion Proof Certification / ES &amp; EA:</b> Ex d IIB + H2 T6 Gb	
S	<b>Certificate on Housing Only / XDS &amp; XDA:</b> II 2 G D Ex d IIC T6; II 2 G D Ex tD A21 T100°C	
<b>LR</b>		<b>Complete Ordering Code</b>